

Type BMB-R Series

Key Features

**High
Impedance at
lower
frequency**

**Prevents
Signal ringing**

**Wide
Frequency
Characteristics**

**Suited to a
variety of
applications**

**Terminal finish
matte Sn over
Cu/Ni
underplate**



The BMB R Series has been designed for low speed applications and specifically for use in Digital Sound circuitry and similar to prevent ringing. These chip devices have been designed to generate high impedances at low frequencies.

Due to market demand the R series is now only available in one value

Electrical Performance

Part Number	Impedance (Ω) at 100MHz	DC Resistance (Ω) maximum	Rated Current (mA) maximum
BMB-2A-0600R-S2	600 \pm 25%	0.35	200

Operating temperature range - -55 ~ +125°C

Temperature should be less than 25°C when rated current is applied.

Storage:

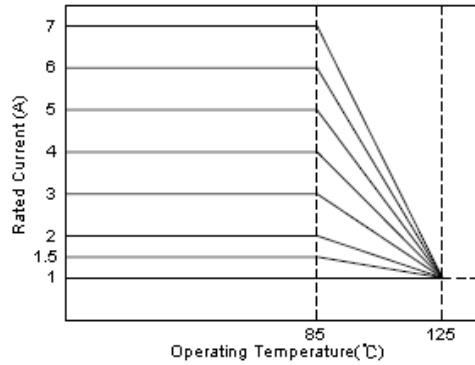
Temperature Range: -40 ~ +85°C

Humidity: Less than 75% RH

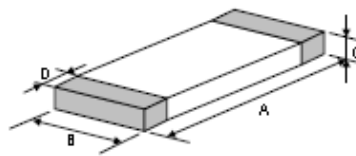
Current Derating

In operating temperatures exceeding +85°C derating of current is necessary for chip ferrite beads for which rated current is 1.5A or over.

Please apply the derating curve shown below according to the operating temperature

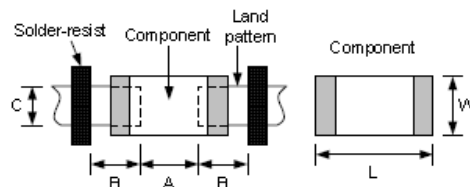


Product Dimensions



Size	A (mm)	B (mm)	C (mm)	D (mm)
0805	2.0 ±0.20	1.2 ±0.20	0.9 ±0.20	0.5 ±0.30

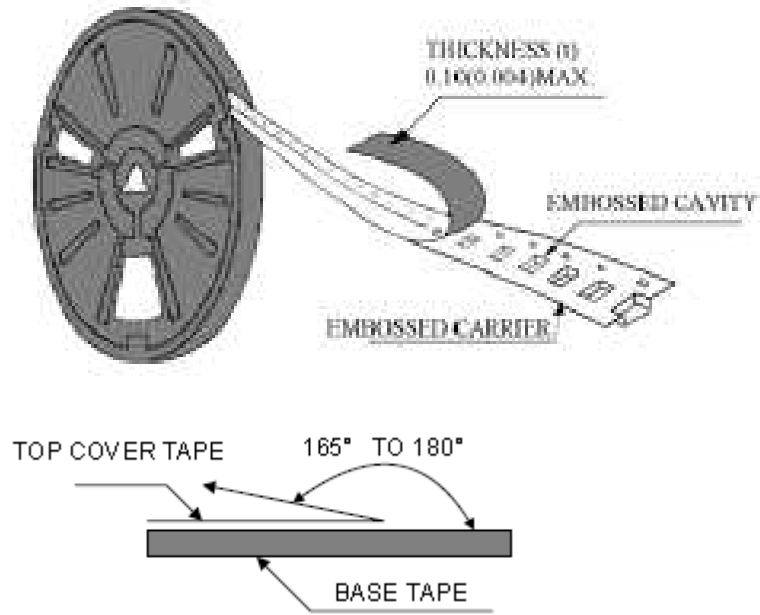
Recommended PCB Layout



Size	0805	
Component	L	2.0
	W	1.2
A	0.8 ~ 1.2	
B	0.8 ~ 1.2	
C	0.9 ~ 1.6	

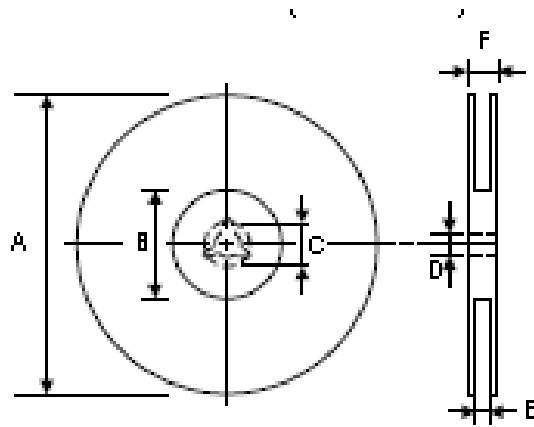
Packaging

Peel off force:

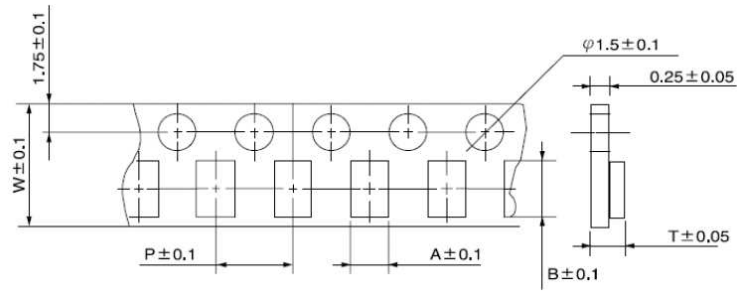


The force for peeling off cover tape is 10 grams in the direction shown

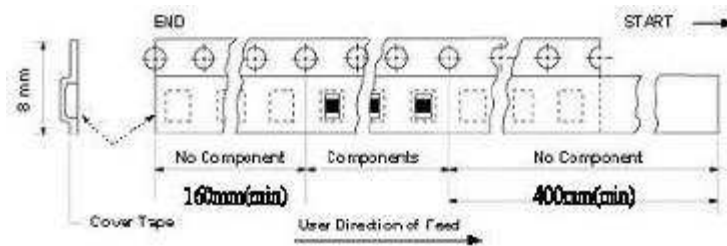
Dimensions (mm)



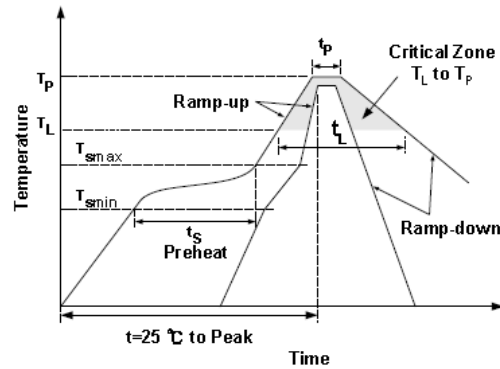
A	B	C	D	E	F
178 ±1	60 +0.5 -0.1	--	13 ±0.2	9 ±0.5	12 ±0.5



Size	A	B	W	P	T	Chips / Reel
0805	1.5	2.3	8	4	1.3	4000



Recommended Reflow Solder Profile



Profile Feature		Pb Free
Preheat	t_s	60 ~ 180 seconds
	T_{smin}	150°C
	T_{smax}	200°C
Average Ramp up rate (T_{smax} to T_p)		3°C/second max.
Time main above	Temperature (T_L)	217°C
	Time (t_L)	60 ~ 150 seconds
Peak Temperature (T_p)		250 ~ 260°C
Time within 5°C of actual peak temperature (t_p)		10 seconds
Ramp down rate		6°C/second max.
Time 25°C to peak temperature		8 minutes max.

单击下面可查看定价，库存，交付和生命周期等信息

[>>TE Connectivity\(泰科\)](#)