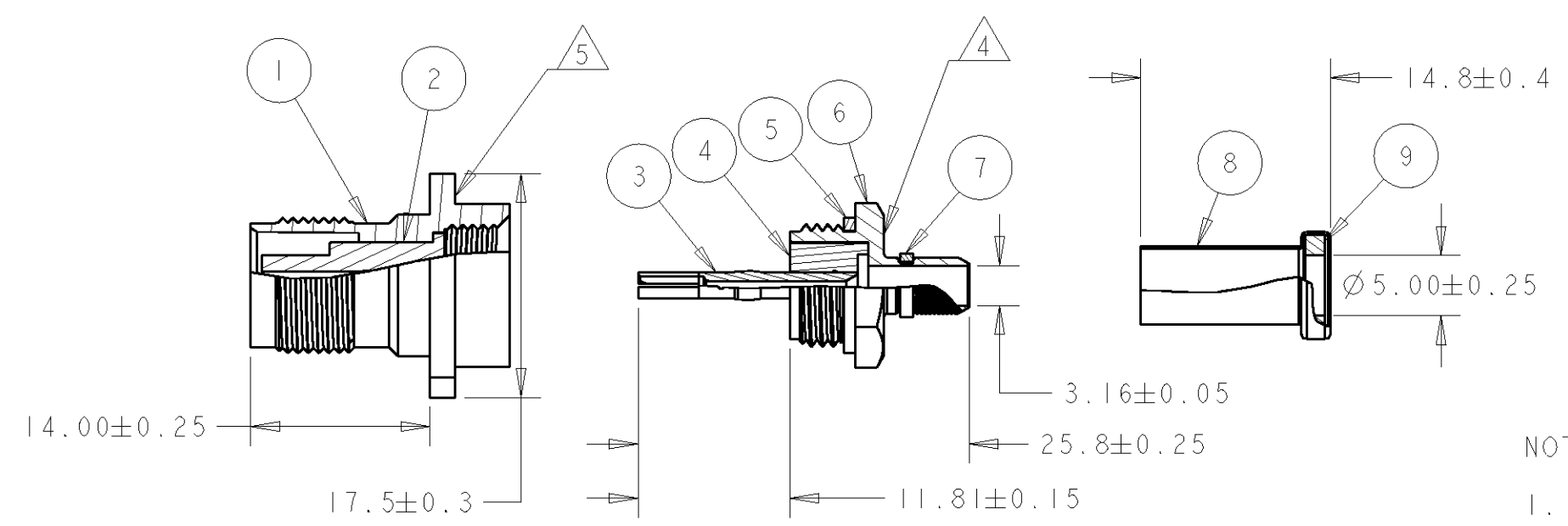


THIS DRAWING IS UNPUBLISHED. RELEASED FOR PUBLICATION 20  
 © COPYRIGHT 20 BY TYCO ELECTRONICS CORPORATION. ALL RIGHTS RESERVED.

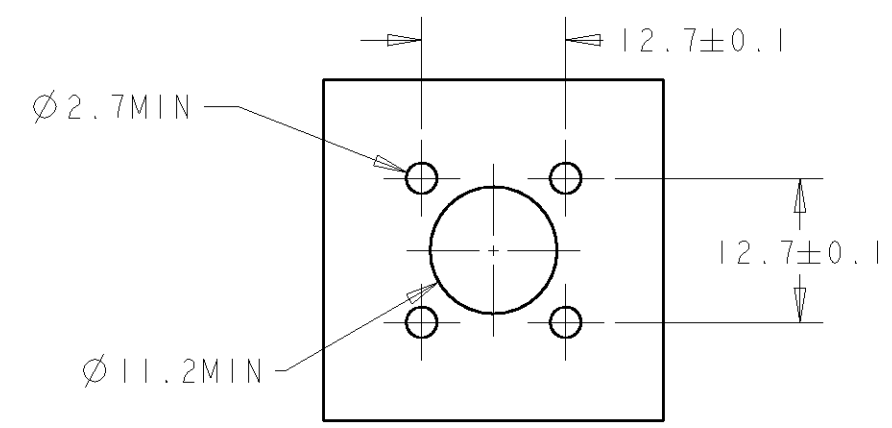
LOC	DIST	REVISIONS					
		P	LTR	DESCRIPTION	DATE	DWN	APVD
B	E		B	ECR-08-0206801	22/10/08	MJG	JA



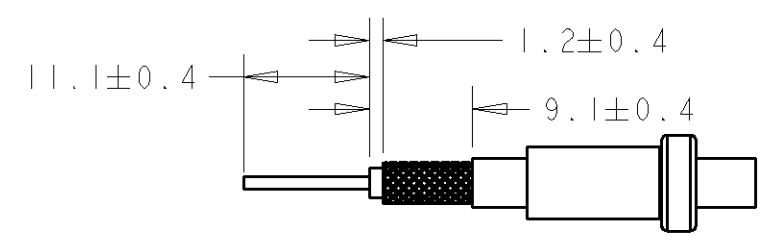
NOTES:

1. FOR USE WITH RG400U, KX23 CABLE
2. CRIMP WITH HAND TOOL Pt No 69710-1 + INSET 69814
3. INSTRUCTION SHEET 408-2299-4
- △4 PART NO 131228-2 MARKED ON THIS SURFACE
- △5 FOUR HOLES 3-56 UNF 2B

RECOMMENDED PANEL CUT OUT



	I	SILICONE	GASKET	9	
	I	ELECTROPLATE Ag	COPPER	SHELL	8
	I	SILICONE	GASKET	7	
	I	ELECTROPLATE Ag	BRASS	SHELL	6
	I	SILICONE	GASKET	5	
	I	PTFE	DIELECTRIC	4	
	I	ELECTROPLATE Au	BeCu	CONTACT	3
	I	PTFE	DIELECTRIC	2	
	I	ELECTROPLATE Ag	BRASS	BODY	1
131241	QTY-1	FINISH	MATERIAL	DESCRIPTION	ITEM



RECOMMENDED CABLE PREPARATION

DIMENSIONS: mm 		TOLERANCES UNLESS OTHERWISE SPECIFIED: 0 PLC ±0.5 1 PLC ±0.5 2 PLC ±0.5 3 PLC ±0.5 4 PLC ±0.5 ANGLES ±0.5 FINISH -		DWN M.GREENER 22OCT2008 CHK J.AMBROSE 22OCT2008 APVD J.AMBROSE 22OCT2008 PRODUCT SPEC - APPLICATION SPEC - WEIGHT -	Tyco Electronics UK Ltd. Bideford, North Devon, EX39 4HE
MATERIAL SEE TABLE		NAME PANEL JACK TNC ASSEMBLY TYPE E, KX 23 CABLE		SIZE A3 CAGE CODE 00779 DRAWING NO C-131241	RESTRICTED TO -
CUSTOMER DRAWING			SCALE NTS	SHEET 1 OF 1	REV B

单击下面可查看定价，库存，交付和生命周期等信息

[>>TE Connectivity\(泰科\)](#)