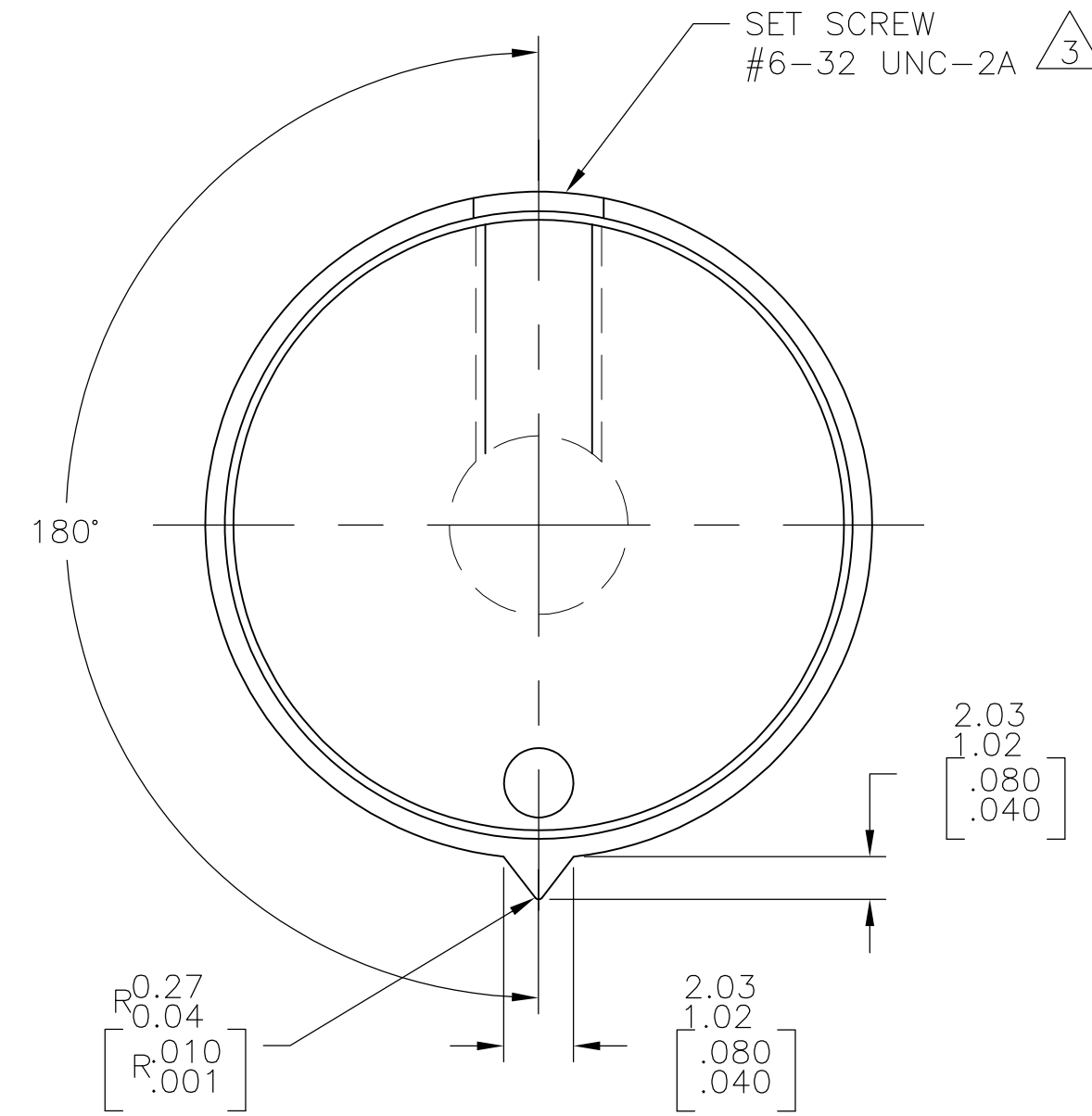
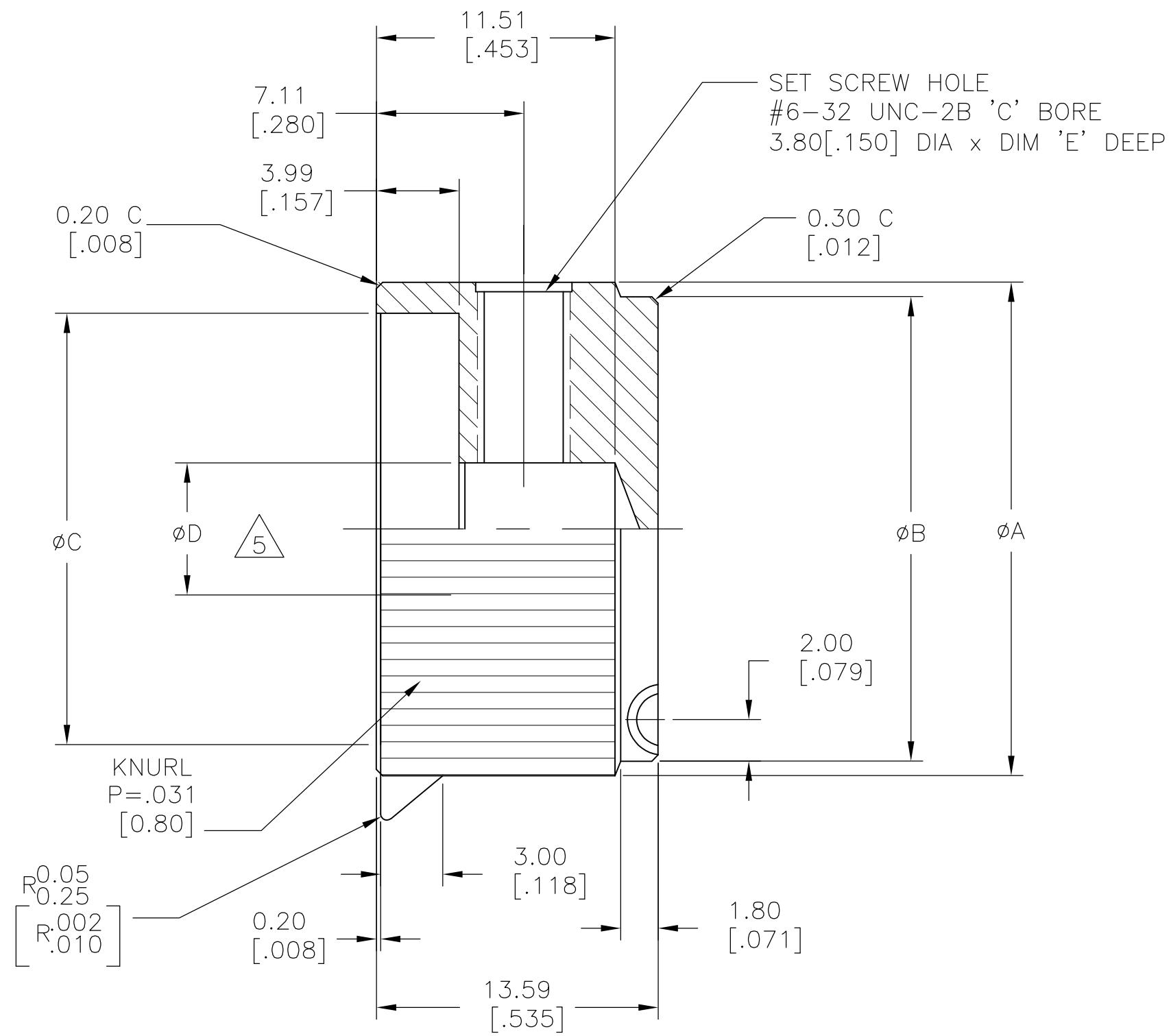


THIS DRAWING IS UNPUBLISHED. RELEASED FOR PUBLICATION
 © COPYRIGHT BY TYCO ELECTRONICS CORPORATION. ALL INTERNATIONAL RIGHTS RESERVED.

LOC		DIST		REVISIONS			
P	LTR	DESCRIPTION		DATE	DWN	APVD	
A		REDRAWN PER ECO-08-031330		17DEC08	HMR	MW	

- 1 PARTS TO BE CLEAN AND DRY WHEN RECEIVED
- 2 BURRS CAUSED BY TAPPING MUST NOT INTERFERE WITH SHAFT INSERTION TO FULL SHAFT DEPTH, NOR ARE BURRS ALLOWED ABOVE OUTER SURFACES.
- 3 1 STAINLESS STEEL SOCKET SET SCREWS
- 4 KNOB 5056S ALUMINUM ALLOY, COLOR SEE TABLE
- 5 SHAFT HOLE TOLERANCE $+0.003/-0.000$



BLACK	0.079 [2.00]	0.251 [6.38]	0.819 [20.80]	0.882 [22.40]	0.937 [23.80]	KNP900B1/4	7-1437622-1
CLEAR	0.059 [1.50]	0.251 [6.38]	0.622 [15.80]	0.685 [17.40]	0.740 [18.80]	KNP700A1/4	7-1437622-0
ANODIZE	E	D	C	B	A	MODEL NO	PART NUMBER

THIS DRAWING IS A CONTROLLED DOCUMENT.		DWN	17DEC08	Tyco Electronics Corporation Harrisburg, PA 17105-3608			
DIMENSIONS: mm [INCHES]		CHK	17DEC08	ALUMINUM KNOB (KNP SERIES)			
TOLERANCES UNLESS OTHERWISE SPECIFIED:		APVD	17DEC08	NAME			
0 PLC ± -		PRODUCT SPEC		SIZE			
1 PLC ± -		APPLICATION SPEC		CAGE CODE			
2 PLC ± -				DRAWING NO			
3 PLC ± .015				RESTRICTED TO			
4 PLC ± -				A2 00779 C=7-1437622-0			
ANGLES ± 3°				SCALE			
FINISH		WEIGHT	-	SHEET			
4		CUSTOMER DRAWING		4:1			
				1 OF 1			
				REV			
				A			

单击下面可查看定价，库存，交付和生命周期等信息

[>>TE Connectivity\(泰科\)](#)