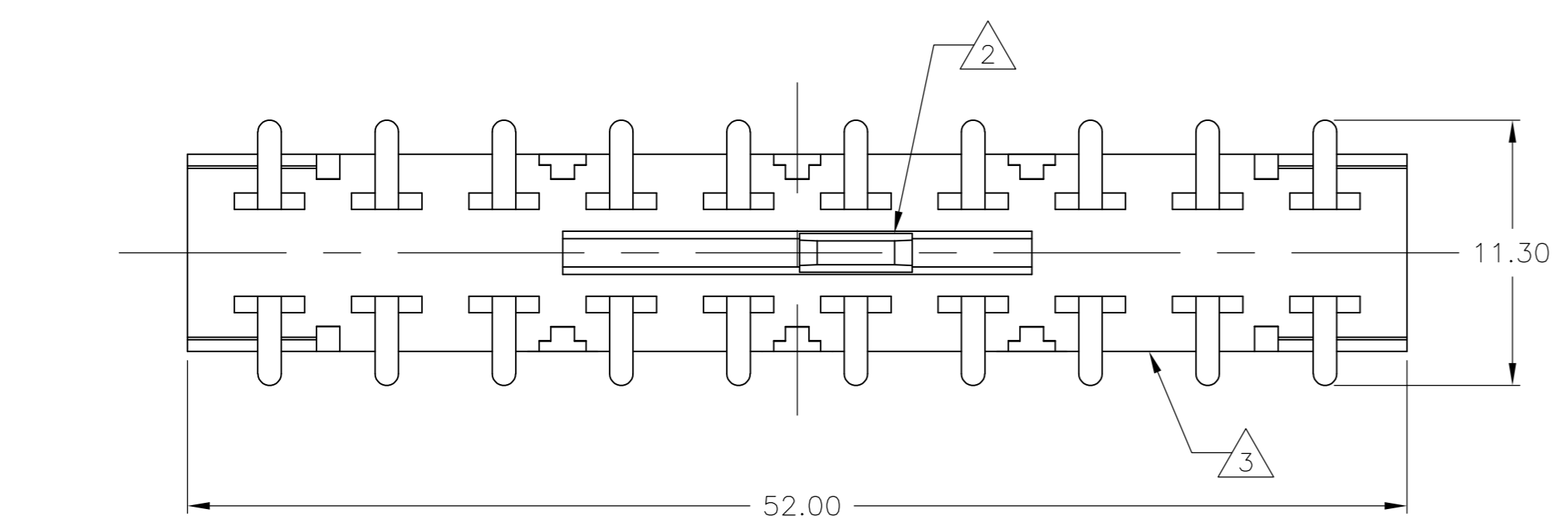
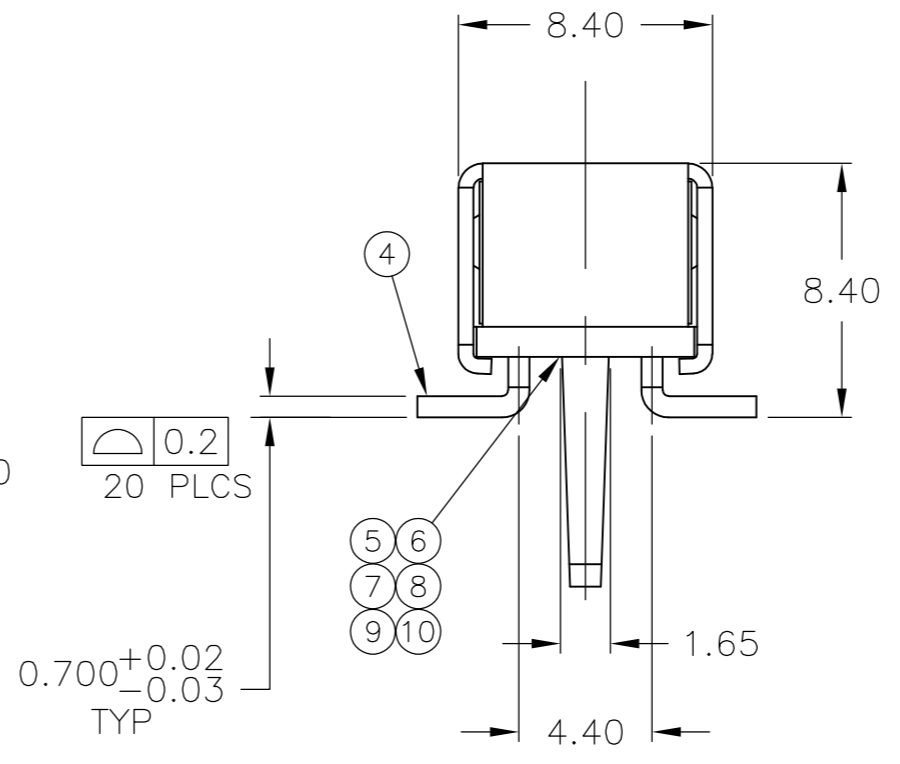
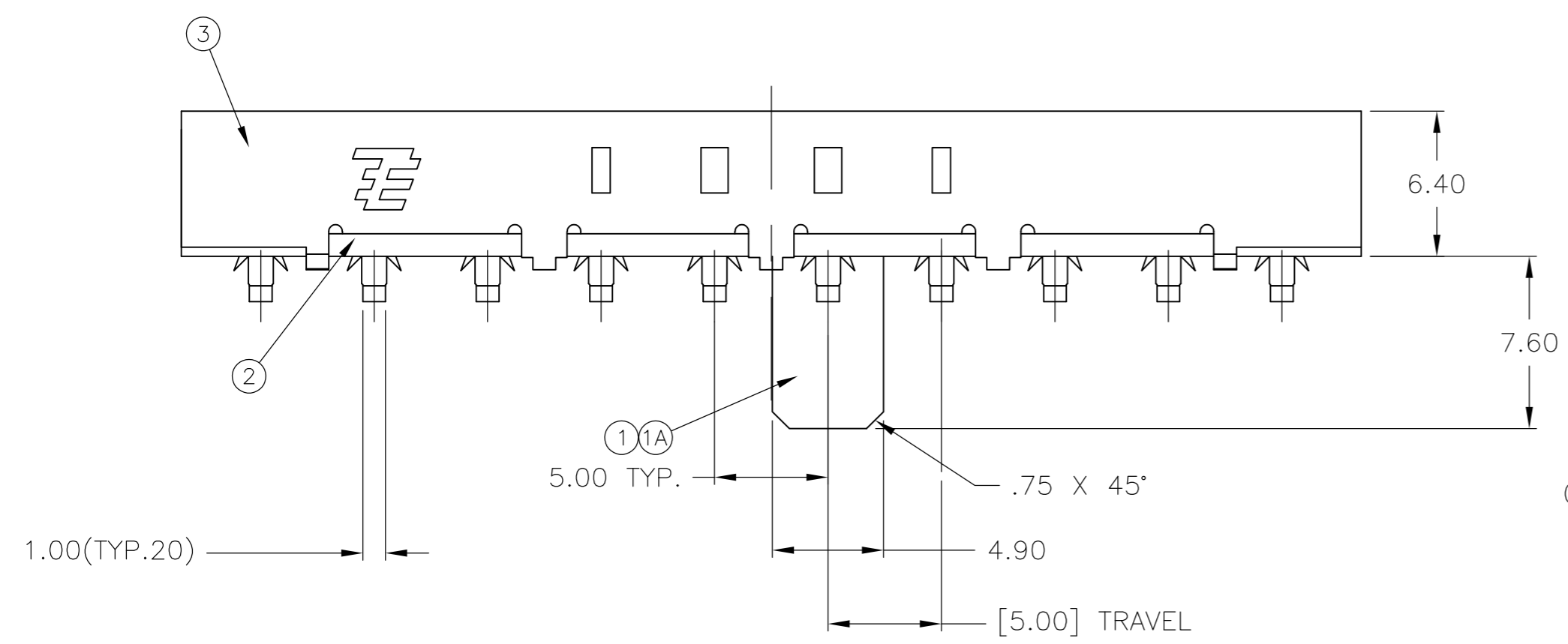


THIS DRAWING IS UNPUBLISHED. RELEASED FOR PUBLICATION
 © COPYRIGHT - By - ALL RIGHTS RESERVED.

REVISIONS				
P	LTR	DESCRIPTION	DATE	APVD
H		REVISED PER ECR-16-010585	25JUL2016	RS PO



SPECIFICATIONS:
 FOUR POLE FOUR THROW

ELECTRICAL:
 CONTACT RATING, LOAD 1: 24VAC AT 1.2AMP (POWER FACTOR 0.4) AND INRUSH CURRENT OF 4.2 AMP (POWER FACTOR 0.4) LOAD 2: 750mVDC AT 100mA
 CONTACT RESISTANCE, 30 MILLIOHMS MAX
 INSULATION RESISTANCE, 500 MEGOHM MIN
 DIELECTRIC STRENGTH, 500 V RMS@ SEA LEVEL
 LIFE EXPECTANCY, 2,000 CYCLES

ENVIRONMENTAL:
 OPERATING TEMPERATURE, -20 TO +85° C
 STORAGE TEMPERATURE, -20 TO +85° C
 RESISTANCE TO SOLDER HEAT, PER 109-201, CONDITION A OMIT SECTION 3.3
 TIME OVER LIQUIDUS (217°C) 20 SECONDS MAX
 PEAK TEMPERATURE 225°±5°C

1 ALL MATERIALS AND FINISHES SHALL COMPLY WITH EU DIRECTIVE 2002/95/EC OF 27JAN2003 (ROHS)

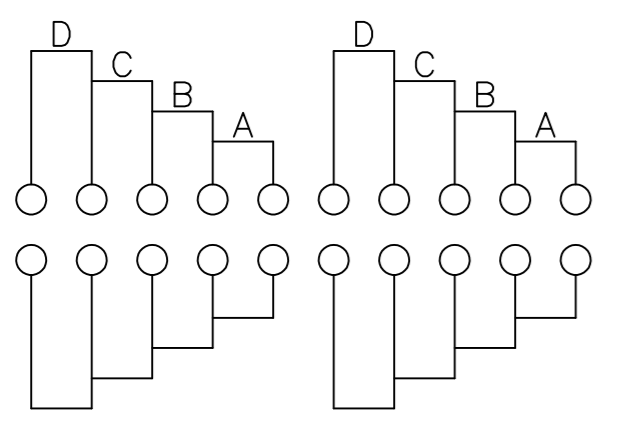
2 PART TO BE RECEIVED WITH ACTUATOR IN POSITION B

3 MARK PER 202-37 THIS SURFACE

4 NOTE DELETED.

5 RESISTANCE TO SOLDER HEAT, PER 109-201 CONDITION B.

ITEM NO.	DESCRIPTION	MATERIAL	FINISH	QUANTITY
2	NONE	STEEL	BALL	10
1	NONE	STEEL	SPRING	9
AR	NONE	GREASE	ACTUATOR LUBRICATION	8
AR	NONE	GREASE	CONTACT LUBRICATION	7
1	NONE	MUSIC WIRE	COIL SPRING	6
2	AG OVER NI	COPPER TI	MOVING CONTACT	5
20	AG OVER NI	COPPER	FIXED CONTACT/TERMINAL	4
1	NICKEL	COLD ROLLED STEEL	FRAME	3
1	NATURAL	PHENOLIC LAMINATED SHEET UL94 HB	BOARD	2
1	BLACK	LCP UL94 V-0 30% GF	ACTUATOR	1A
-	BLACK	PA66 UL 94HB, 15% GF	ACTUATOR	1
-4	FINISH	MATERIAL	PART DESCRIPTION	ITEM NO.

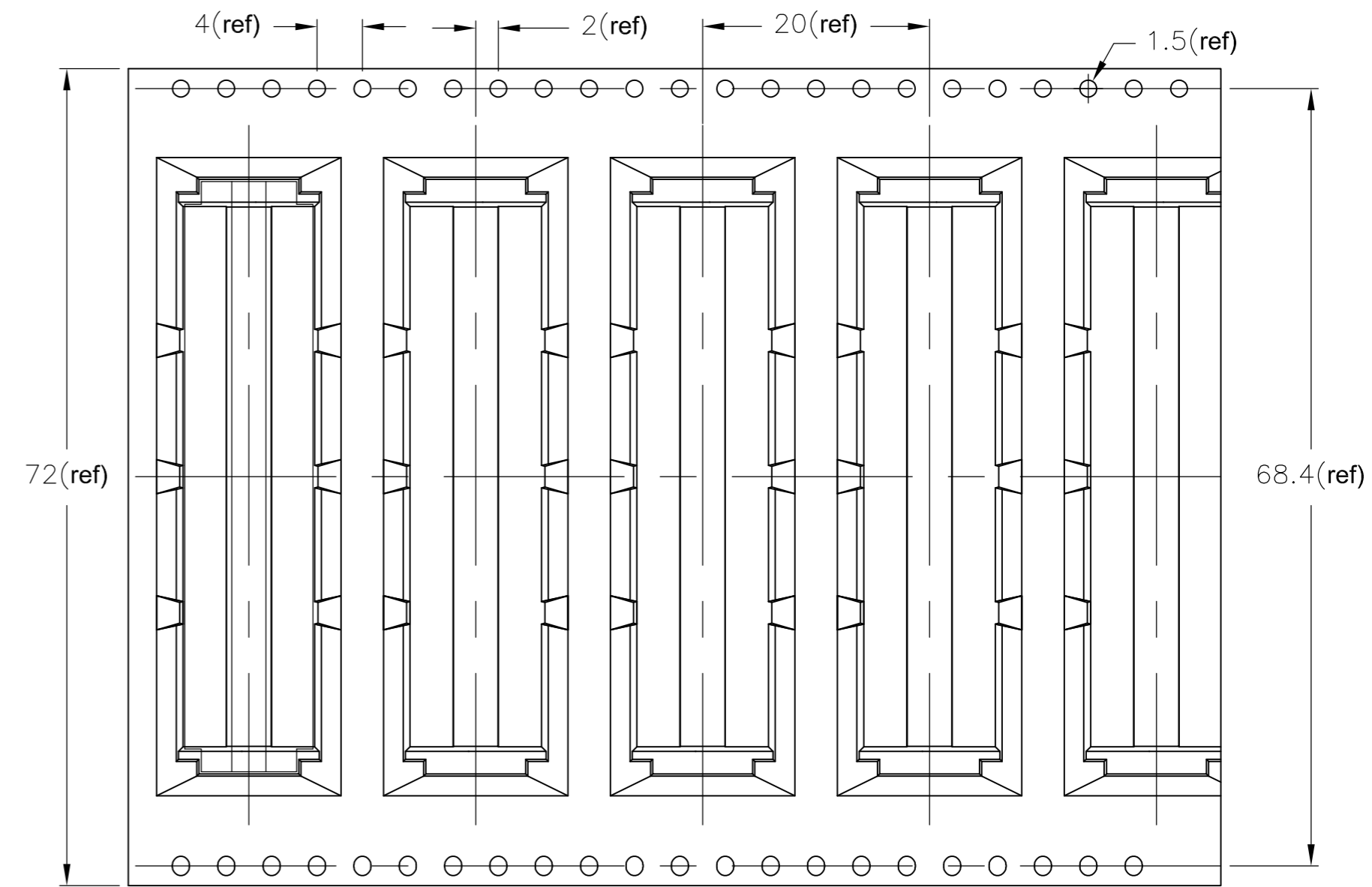
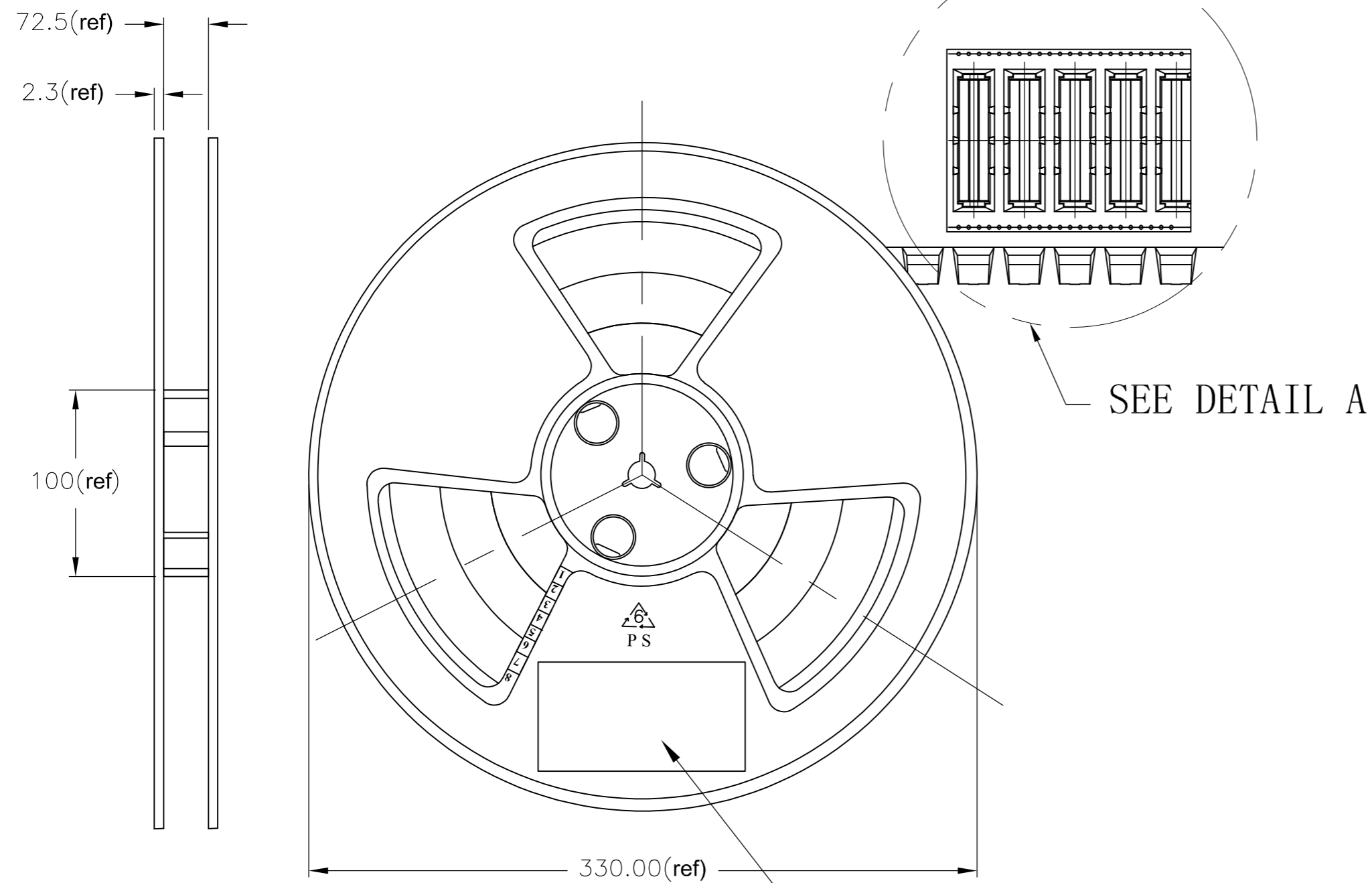


NON SHORTING SCHEMATIC

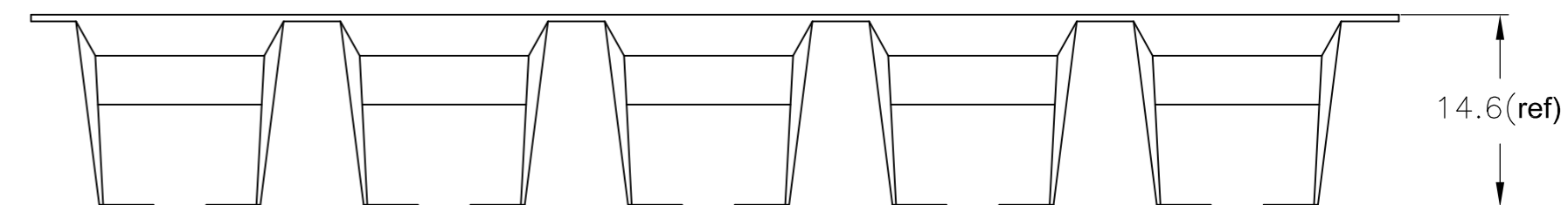
THIS DRAWING IS A CONTROLLED DOCUMENT.		DWN M.BINNER 23JUL2007	TE Connectivity	
DIMENSIONS: mm		CHK M.SARVER 23JUL07	SLIDE SWITCH, 4P4T, SMT	
TOLERANCES UNLESS OTHERWISE SPECIFIED:		APVD -	SIZE A2	CAGE CODE 00779
0 PLC	± -	PRODUCT SPEC -	DRAWING NO C=1977145	RESTRICTED TO -
1 PLC	± -	APPLICATION SPEC -	SCALE 4:1	SHEET 1 OF 2
2 PLC	± 0.20	WEIGHT -	REV H	
3 PLC	± 0.02	CUSTOMER DRAWING		
4 PLC	± -			
ANGLES	± 3°			
FINISH	-			

THIS DRAWING IS UNPUBLISHED. RELEASED FOR PUBLICATION
 © COPYRIGHT - By - ALL RIGHTS RESERVED.

REVISIONS					
P	LTR	DESCRIPTION	DATE	DWN	APVD
-	-	SEE SHEET 1	-	-	-



INTERNAL LABEL STUCK ON REEL (DETAILS AS PER NOTE 5)



SEE DETAIL A
4:1

NOTES

1. TAPE, REEL, AND TAPING SHALL MEET THE REQUIREMENTS OF EIA-481-2.
2. EMBOSSED TAPE SHALL BE CONDUCTIVE TYPE.
3. FOR PART ORIENTATION IN TAPE SEE DETAIL A.
4. REEL SHALL CONTAIN 200 PIECES SWITCH.

5. DETAILS OF INTERNAL LABEL ON REEL:
 TYCO ELECTRONICS
 P/N:1977145-3 & -4
 QTY:200PCS
 DATE CODE:XXXX

THIS DRAWING IS A CONTROLLED DOCUMENT.		DWN M.BINNER 23JUL2007			
DIMENSIONS: mm		CHK M.SARVER 23JUL07			
TOLERANCES UNLESS OTHERWISE SPECIFIED:		APVD -	NAME		
0 PLC ± -		PRODUCT SPEC	SLIDE SWITCH, 4P4T, SMT		
1 PLC ± -		APPLICATION SPEC	SIZE	CAGE CODE	DRAWING NO
2 PLC ± 0.20		WEIGHT	A2	00779	C=1977145
3 PLC ± 0.02		CUSTOMER DRAWING	SCALE	SHEET	REV
4 PLC ± -			NTS	2 of 2	H
ANGLES ± 3°					
FINISH					

单击下面可查看定价，库存，交付和生命周期等信息

[>>TE Connectivity\(泰科\)](#)