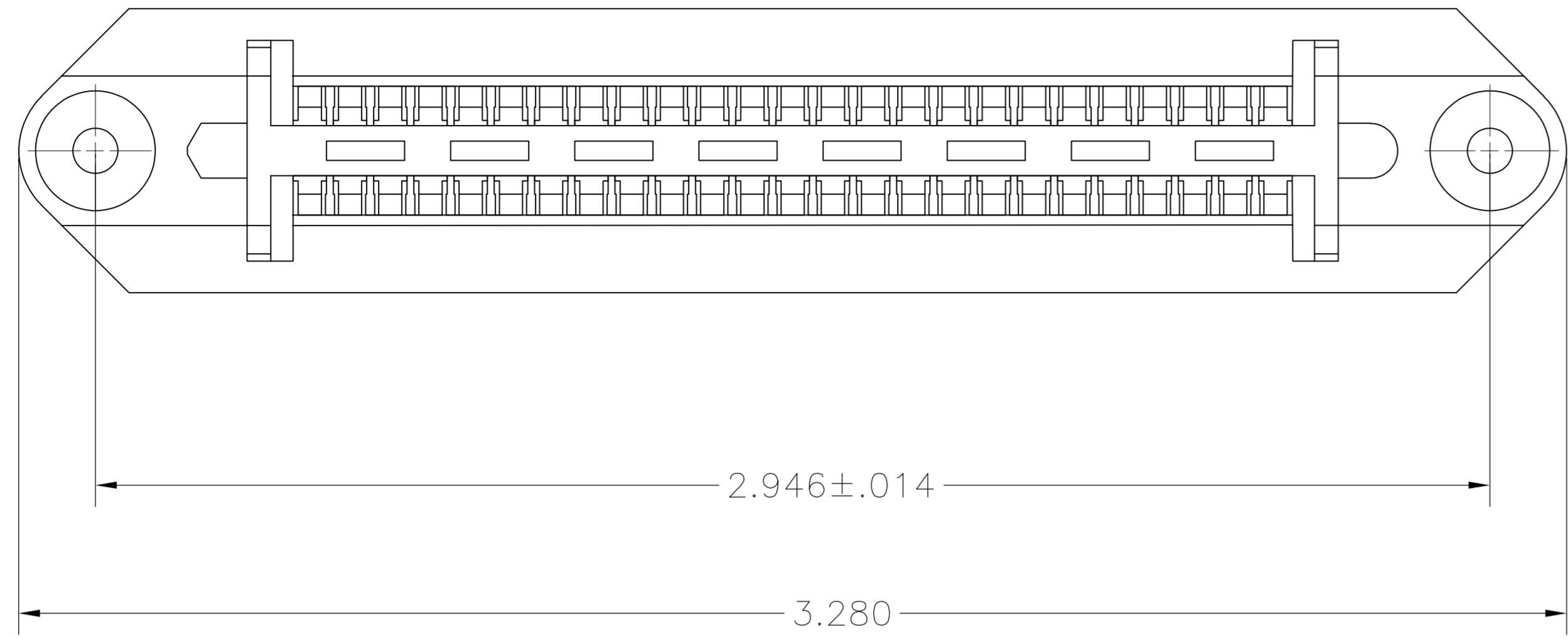
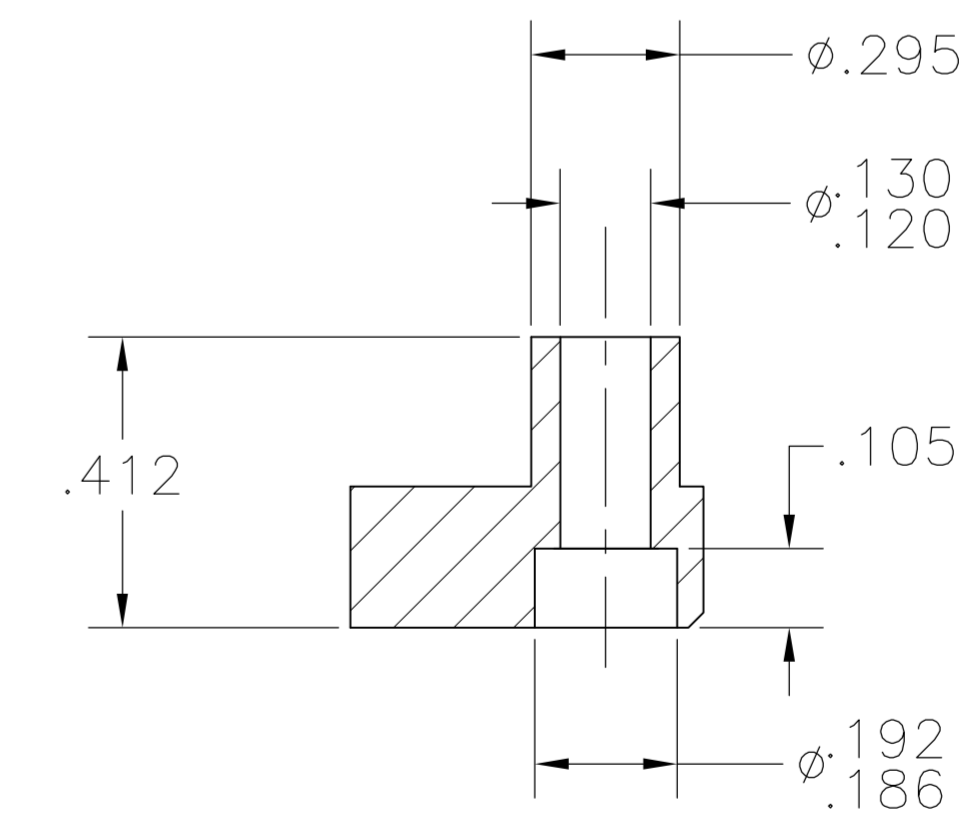
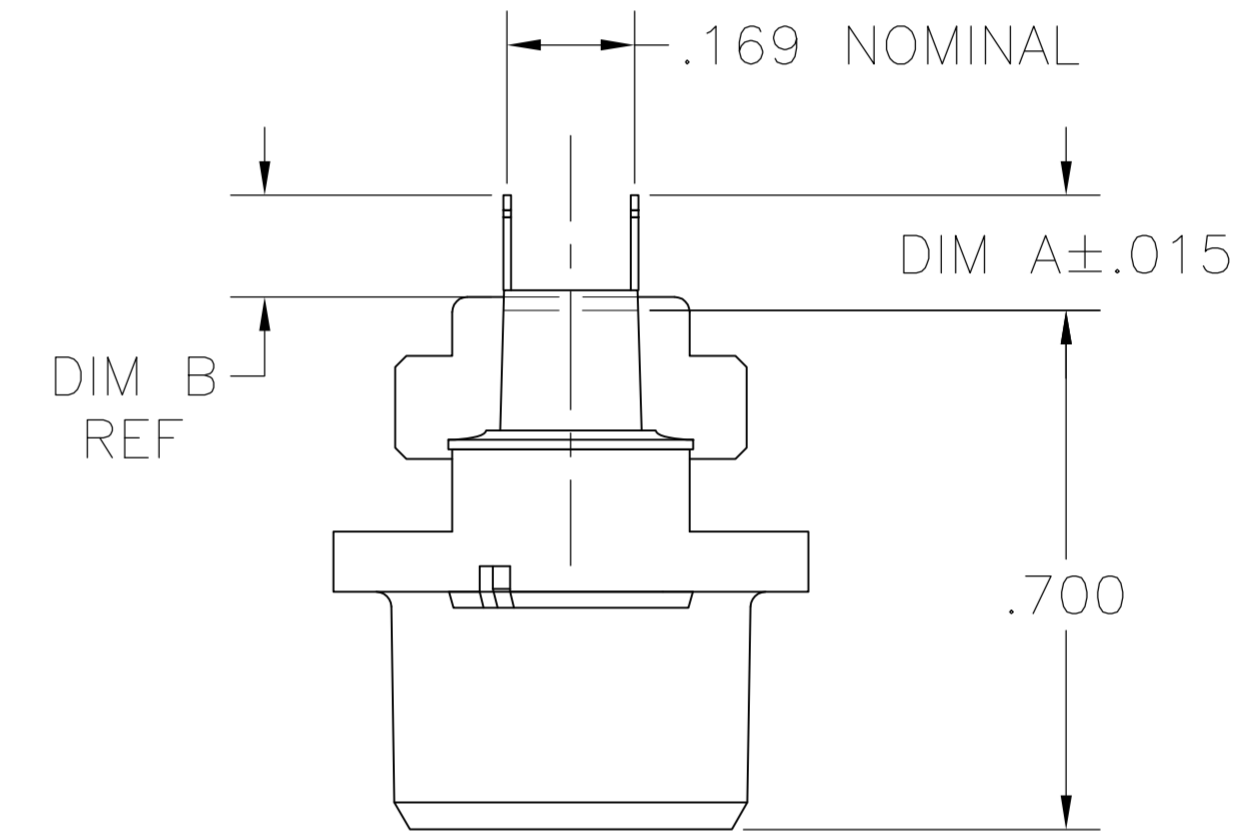
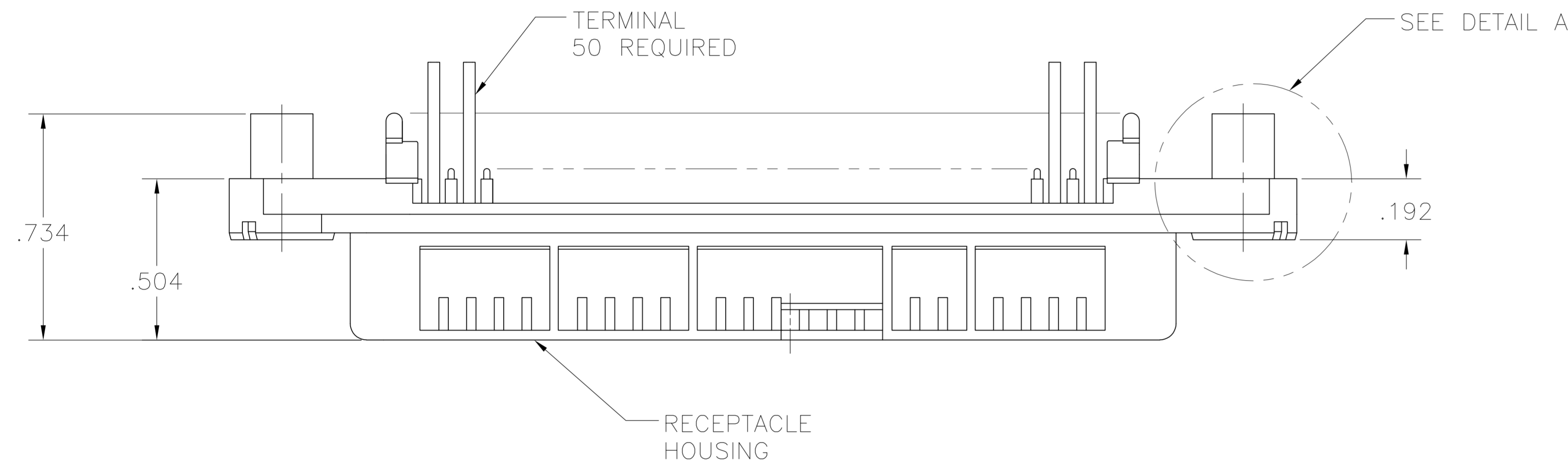


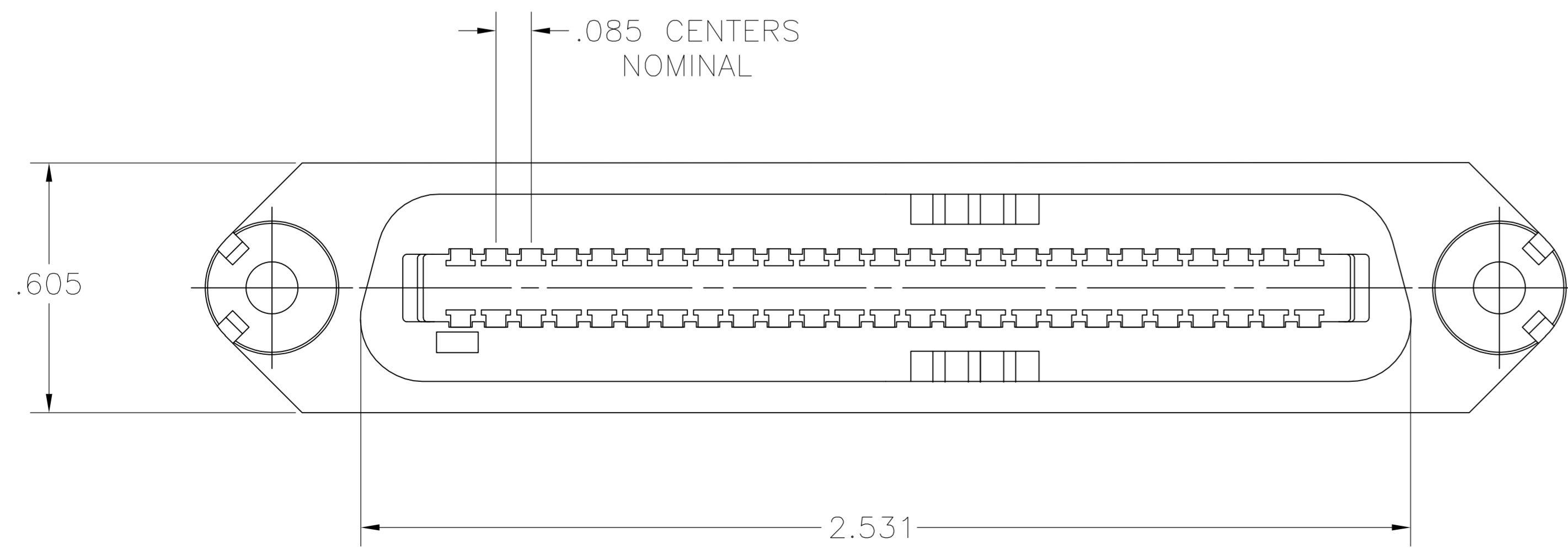
LOC		DIST		REVISIONS			
F	LTR	DESCRIPTION	DATE	DWN	APVD		
B		REVISED PER ECO-08-007327	22JUL08	BM	WM		



1. THE CONTACT SURFACES OF THE TERMINALS ARE COATED WITH LUBRICANT.
2. MATERIAL: HOUSING - POLYESTER, BLACK. TERMINAL - PHOS BRONZE PLATED WITH EITHER .000030 MINIMUM GOLD PLATE OR GOLD FLASH OVER PALLADIUM NICKEL PLATE, .000030 MINIMUM TOTAL ON MATING SURFACE. .000120 MINIMUM TIN PLATE ON TAILS OVER .000050 MINIMUM NICKEL UNDERPLATE OVER ENTIRE TERMINAL.
3. ALL DIMENSIONS SHOWN ARE MAXIMUM UNLESS OTHERWISE SPECIFIED.



DETAIL A



.180	.200	5552118-1
DIM B	DIM A	PART NO

THIS DRAWING IS A CONTROLLED DOCUMENT.		DWN S. LATTUCA	22AUG05	Tyco Electronics Corporation Harrisburg, PA 17105-3608
DIMENSIONS: INCHES		CHK W. MILLHIMES	22AUG05	
TOLERANCES UNLESS OTHERWISE SPECIFIED:		APVD M. WALMSLEY	22AUG05	NAME RECEPTACLE ASSEMBLY, 50 POSN, VERTICAL MTG, CHAMP-LOK
0 PLC	±	APPLICATION SPEC		SIZE A1
1 PLC	±	APPLICATION SPEC		DWG NO 00779
2 PLC	±	APPLICATION SPEC		DATE 08/22/08
3 PLC	±	APPLICATION SPEC		DRAWING NO 5552118
4 PLC	±	APPLICATION SPEC		RESTRICTED TO
ANGLES	±	APPLICATION SPEC		WEIGHT
FINISH	±	APPLICATION SPEC		CUSTOMER DRAWING
MATERIAL		SCALE 4:1		SHEET 1 of 1
FINISH		REV B		

单击下面可查看定价，库存，交付和生命周期等信息

[>>TE Connectivity\(泰科\)](#)