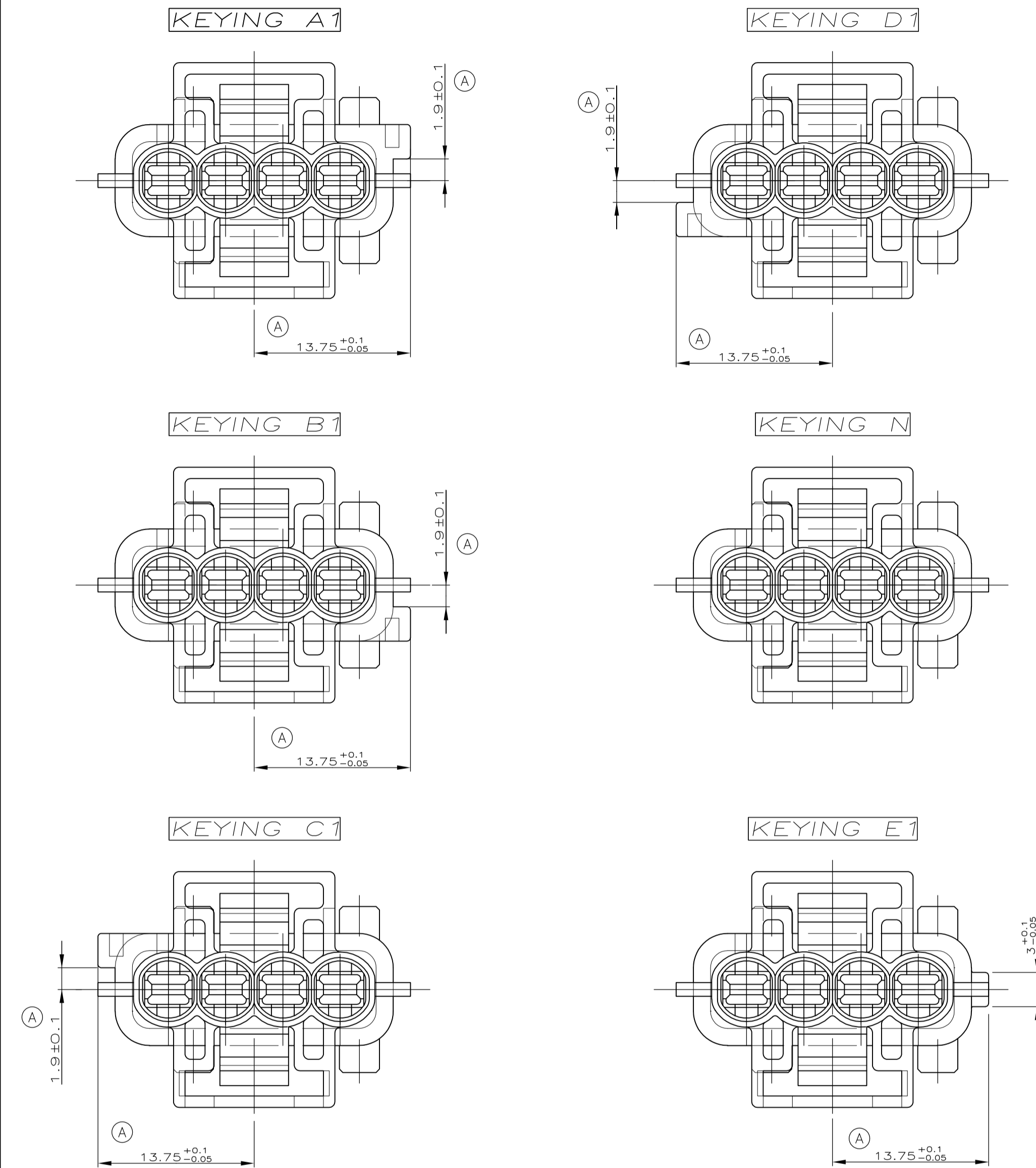
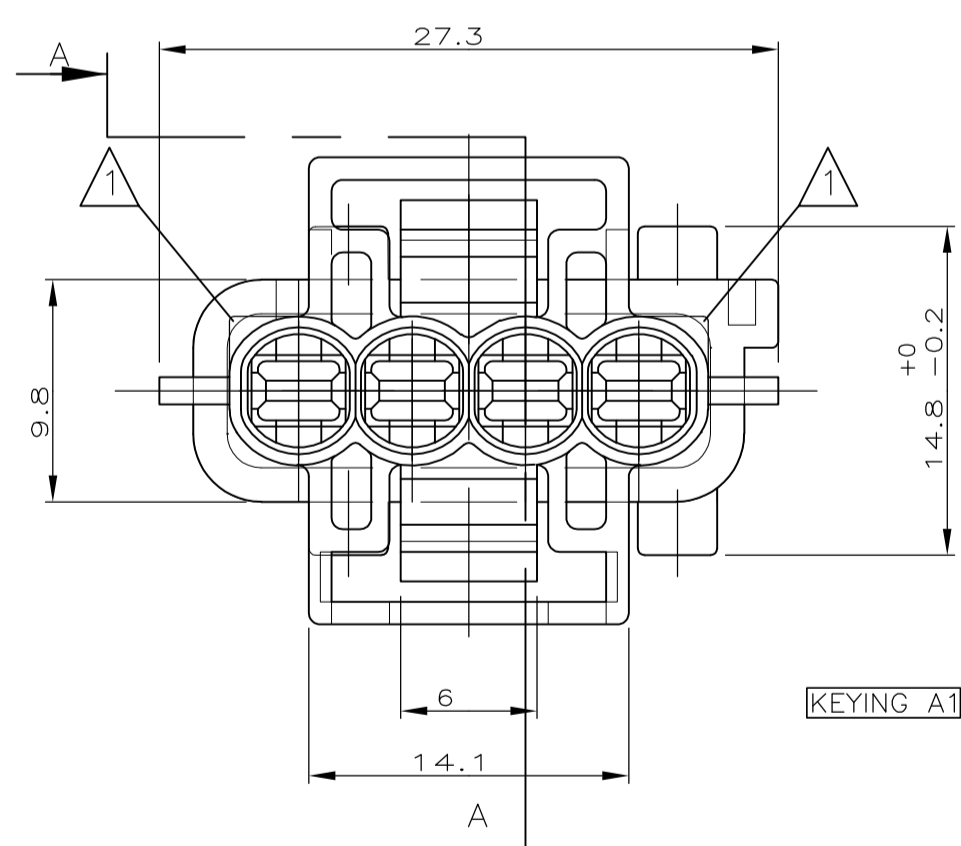
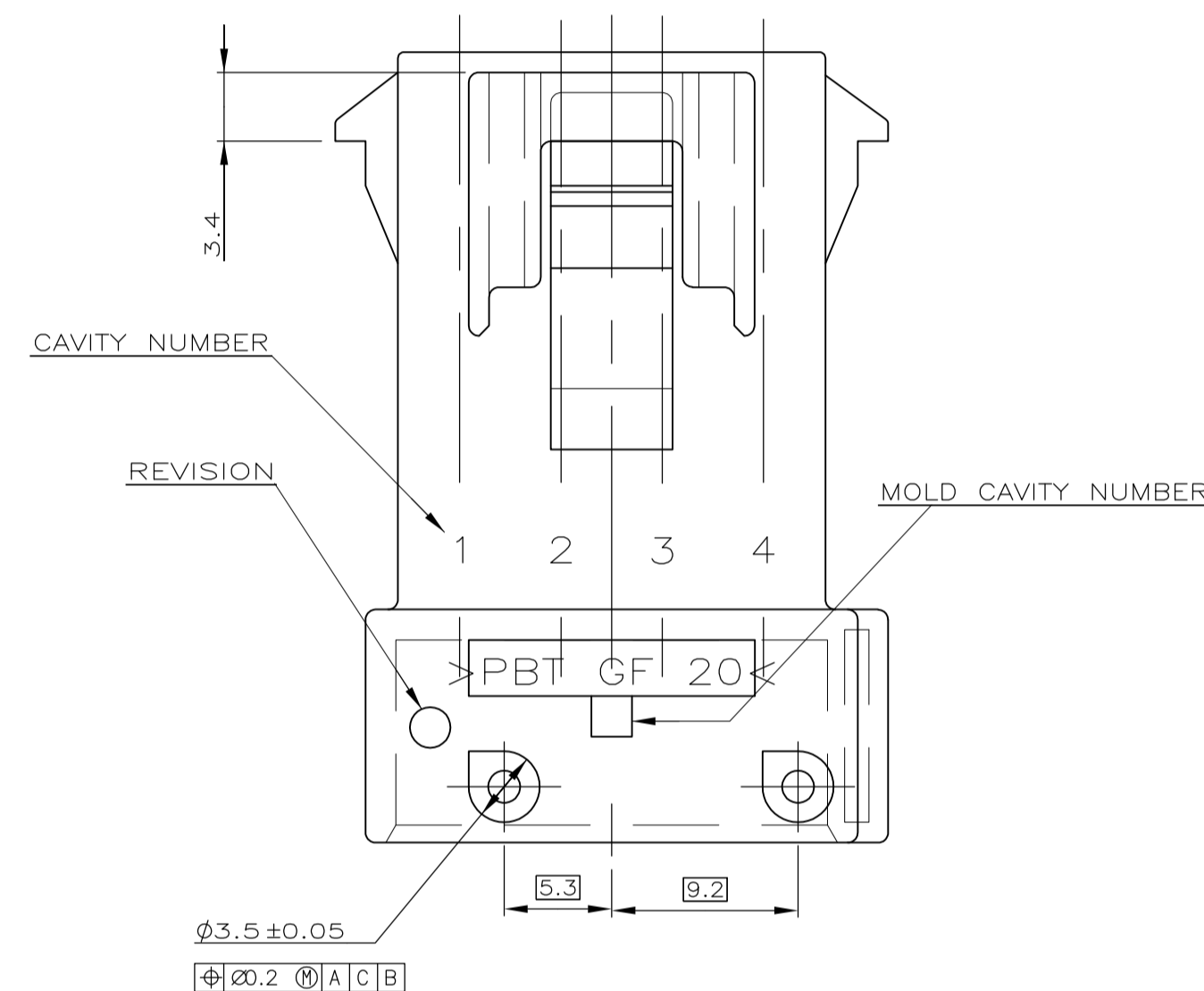
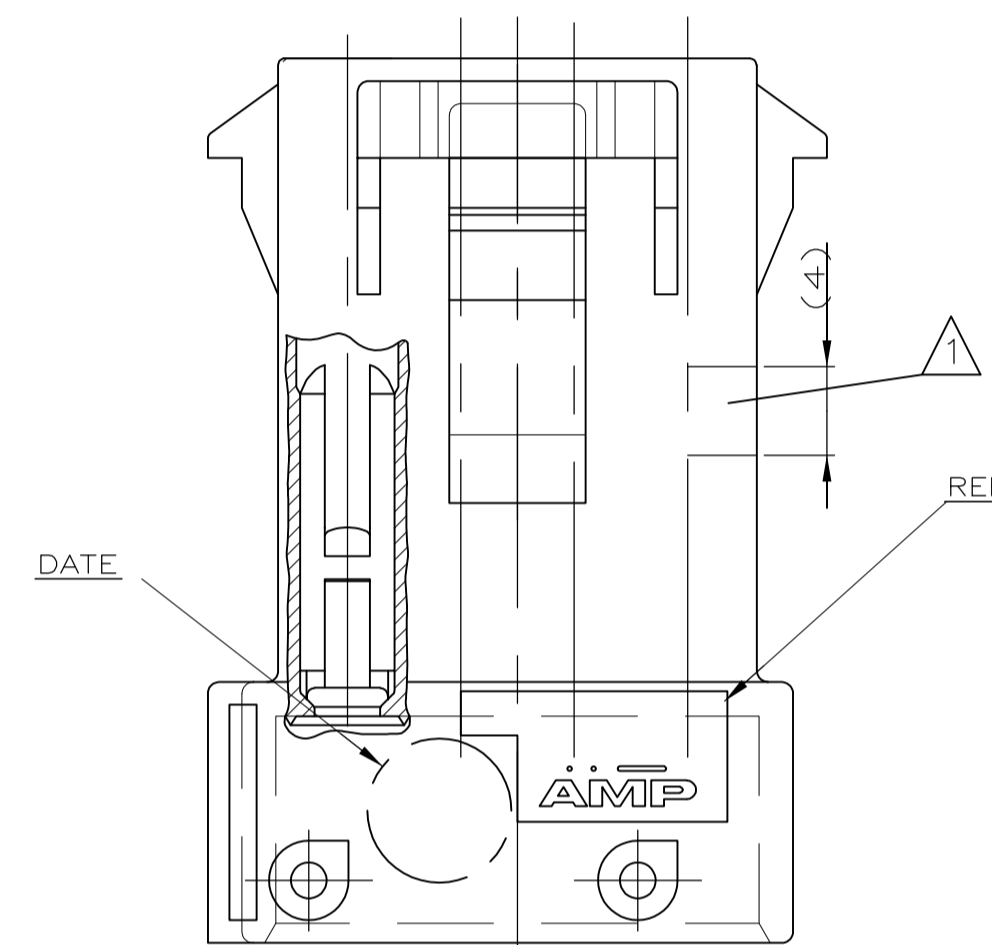
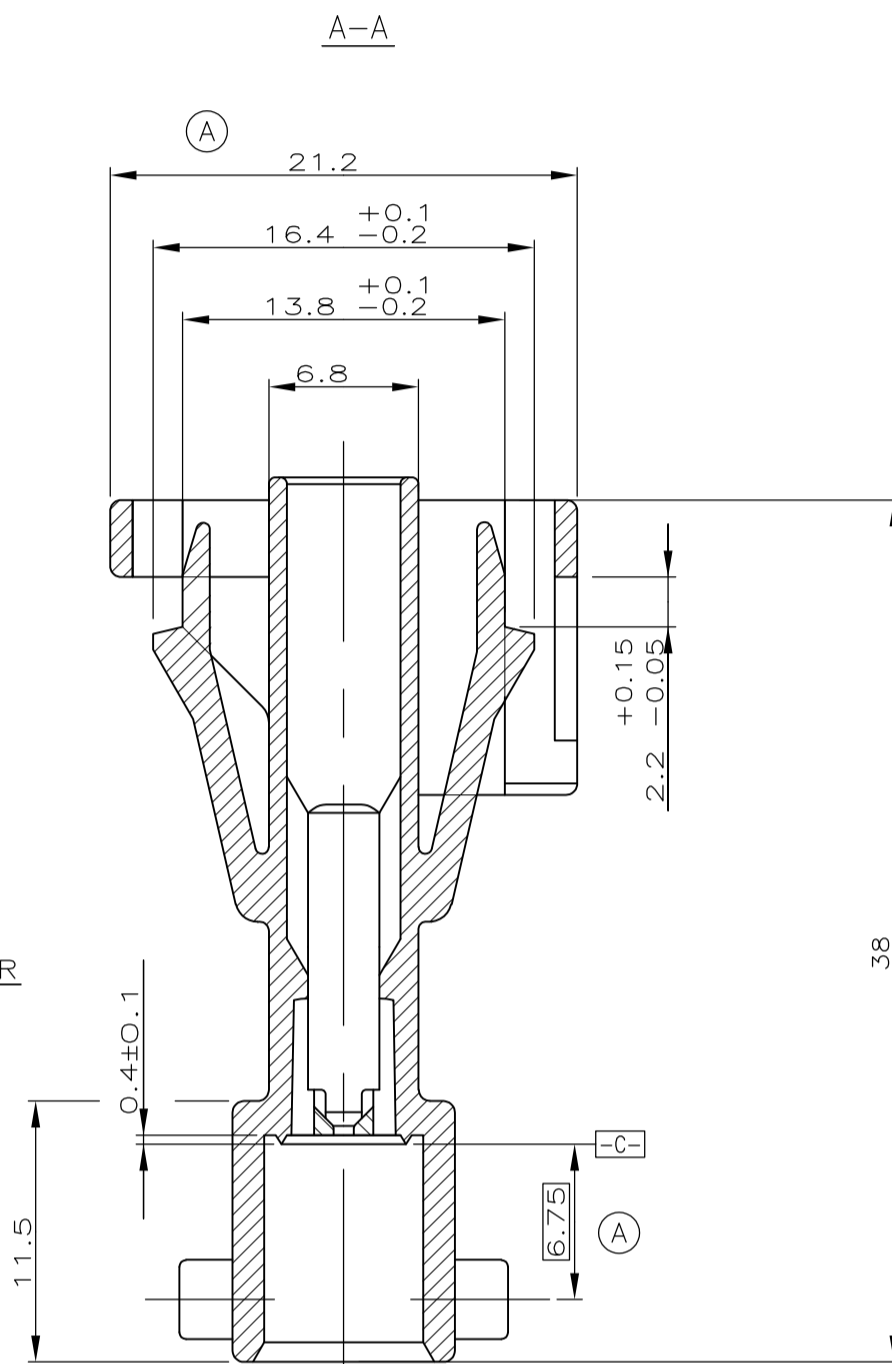
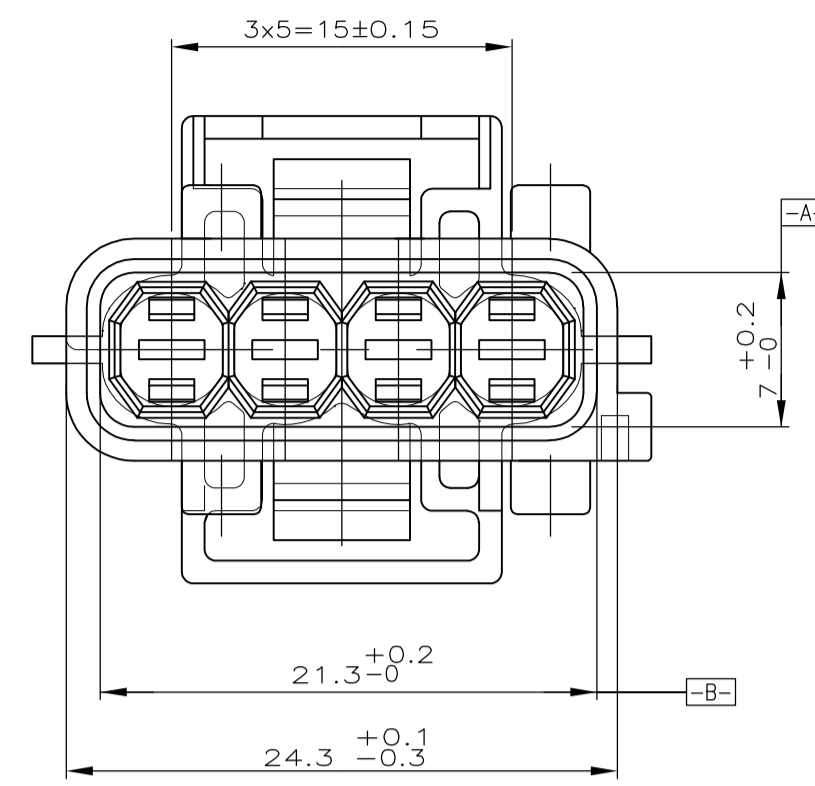


NOTES

(B) (D) \triangle - "OPTIONAL" DEPENDING ON THE MOLD CAVITY NUMBER, THIS SHAPE COULD BE IN ONE OF THE 2 POSITIONS.
 - "OPTIONNEL" CETTE FORME PEUT SE TROUVER DANS UNE DES 2 POSITIONS SELON LE No D'EMPREINTE



REVISIONS				
P	LTR	DESCRIPTION	DATE	APP
A	JLQ	KEYING DIMENSION	19DEC94	---
B	JL	ADDED NOTE \triangle	DEC-96	---
C	JL	ENGLISH TRANSLATION	18-MAR-98	---
D	KCD	UPDATED NOTE \triangle	12MAY16	SA

KEYING	Qty	DESCRIPTION	MATERIAL	COLOR
185001-6 KEYING E1	1	SEALED TAB HOUSING 4 POS. J.P.T.	PBT 20% GF	GREEN
185001-5 KEYING N	1	SEALED TAB HOUSING 4 POS. J.P.T.	PBT 20% GF	WHITE
185001-4 KEYING D1	1	SEALED TAB HOUSING 4 POS. J.P.T.	PBT 20% GF	BROWN
185001-3 KEYING C1	1	SEALED TAB HOUSING 4 POS. J.P.T.	PBT 20% GF	BLUE
185001-2 KEYING B1	1	SEALED TAB HOUSING 4 POS. J.P.T.	PBT 20% GF	GREY
185001-1 KEYING A1	1	SEALED TAB HOUSING 4 POS. J.P.T.	PBT 20% GF	BLACK
REFERENCE TE	Qty	DESCRIPTION	MATERIAL	COLOR

THIS DRAWING IS A CONTROLLED DOCUMENT. CE SCHEMA EST UN DOCUMENT CONTROLÉ.

DIMENSIONS: mm

TOLERANCES UNLESS OTHERWISE SPECIFIED: 1. PLE/DEC ± 0.3 2. PLE/DEC ± 0.1 3. PLE/DEC ± 0.05 4. ANGLES ± 5°

FINISH: -

WEIGHT: 4.8g

DIN/DESSINE: 26-JUL-94
 I. CORRIEU
 CHK/VERIFIE: 08-APR-98
 J. LANGE
 APVD/APPROUVE: 08-APR-98
 J. REVIL
 MME: TITRE: SEALED TAB HOUSING 4 WAYS J.P.T.

PRODUCT SPEC: 108-15103
 APPLICATION SPEC: 185001

SIZE: A1
 CASE CODE: 00779
 DRAWING NO: 185001

UNIFORMEMENT SCALE: 3:1
 SHEET OF: 1 DE 1

CUSTOMER DRAWING/PLAN CLIENT: FOUR REFERENCE

单击下面可查看定价，库存，交付和生命周期等信息

[>>TE Connectivity\(泰科\)](#)