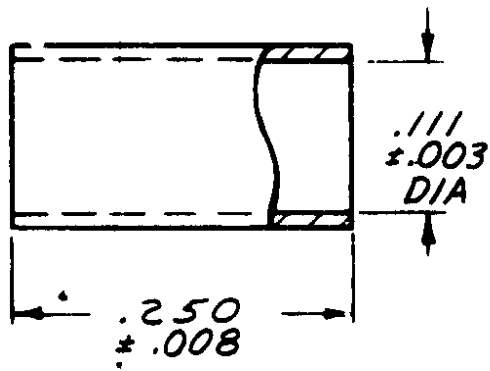


1-332056-0

RELEASED FOR PUBLICATION APRIL 1, 1965  
 BY AMP INCORPORATED, HARRISBURG, PA. ALL INTERNATIONAL RIGHTS RESERVED. AMP PRODUCTS MAY BE COVERED BY U.S. AND FOREIGN PATENTS AND/OR PATENTS PENDING.

REVISIONS					
P	F	LTR	DESCRIPTION	DATE	APPROVED
	✓	F	REDRAWN	C83-769	4-4-84 <i>MS/JH</i>
		F1	REVISED PER ECO-14-016715	1-4-2015	GG/MC



- ① COPPER PER ASTM-B-152 OR ASTM-B16
- ② TIN PL PER MIL-T-10727

PART NO

UNLESS OTHERWISE SPECIFIED DIMENSIONS ARE IN INCHES. TOLERANCES ON: FINISHES ± _____ Holes ± _____ ANGLES ± _____	CONTRACT NO DR <i>M. Enard 4-4-84</i>	<b>AMP</b>   AMP INCORPORATED Harrisburg, Pa. 17105		
	CHK <i>D. Heide 4/6/84</i>			NAME <b>FERRULE</b>
MATERIAL ①	DSGN APPD <i>W. Enard 4/6/84</i>	SIZE <b>A</b>	FSCM NO <b>00779</b>	DRAWING NO <b>1-332056-0</b>
FINISH ②	OTHER APPD	SCALE <b>NTS</b>	SHEET _____	

单击下面可查看定价，库存，交付和生命周期等信息

[>>TE Connectivity\(泰科\)](#)