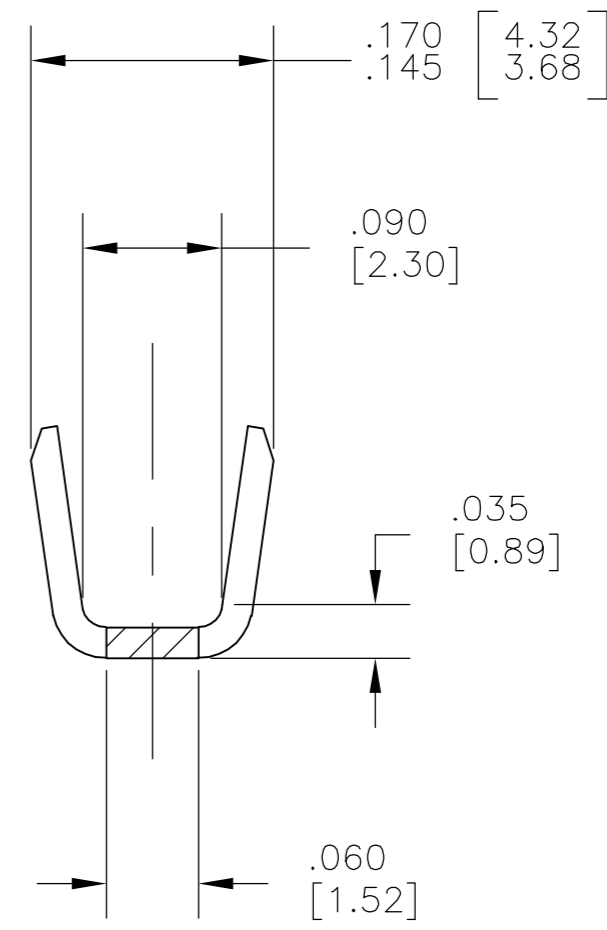
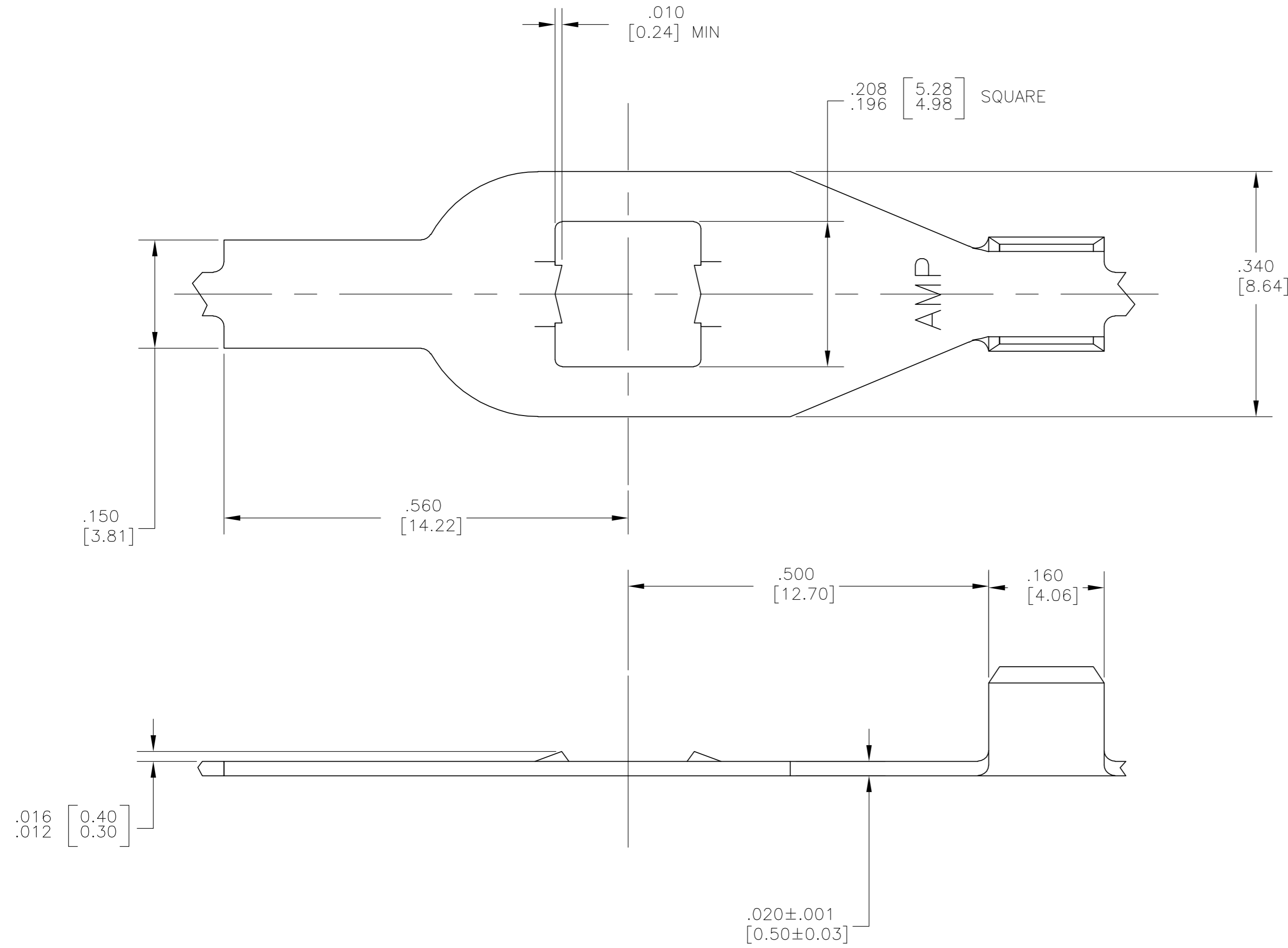


THIS DRAWING IS UNPUBLISHED. RELEASED FOR PUBLICATION
 © COPYRIGHT BY TYCO ELECTRONICS CORPORATION. ALL RIGHTS RESERVED.

LOC		DIST		REVISIONS			
P	LTR	DESCRIPTION		DATE	DWN	APVD	
	A2	REVISED PER ECR-05-013914		18JAN07	MF	DD	

- 1 PRODUCT PROVIDED IN STRIP FORM ON REELS.
- 2 WIRE RANGE: 2600-4900 CMA.



1742334

1742334-1
 PART NUMBER

THIS DRAWING IS A CONTROLLED DOCUMENT.		DWN 18AUG2005 MICHAEL S. FEHER	 Tyco Electronics Corporation Harrisburg, PA 17105-3608
DIMENSIONS: INCHES		CHK 19AUG2005 DONALD F. DECKER	
TOLERANCES UNLESS OTHERWISE SPECIFIED:		APVD 19AUG2005 DONALD F. DECKER	NAME TERMINAL, STUD RETAINING
0 PLC ± - 1 PLC ± - 2 PLC ± .015 [0.40] 3 PLC ± - 4 PLC ± - ANGLES ± 1°		PRODUCT SPEC -	SIZE A2
MATERIAL O82 BRASS		FINISH -	CAGE CODE 00779
		WEIGHT -	DRAWING NO 1742334
		CUSTOMER DRAWING	RESTRICTED TO -
		SCALE 8:1	SHEET 1 of 1
		REV A2	

单击下面可查看定价，库存，交付和生命周期等信息

[>>TE Connectivity\(泰科\)](#)