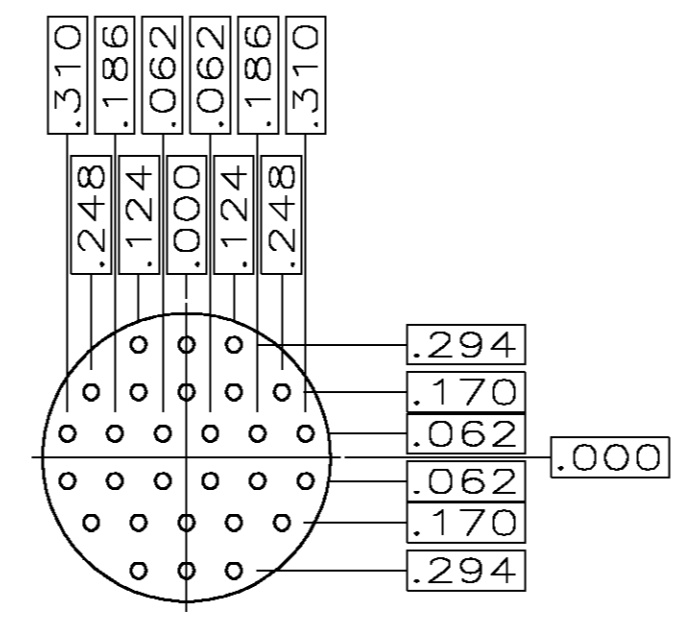
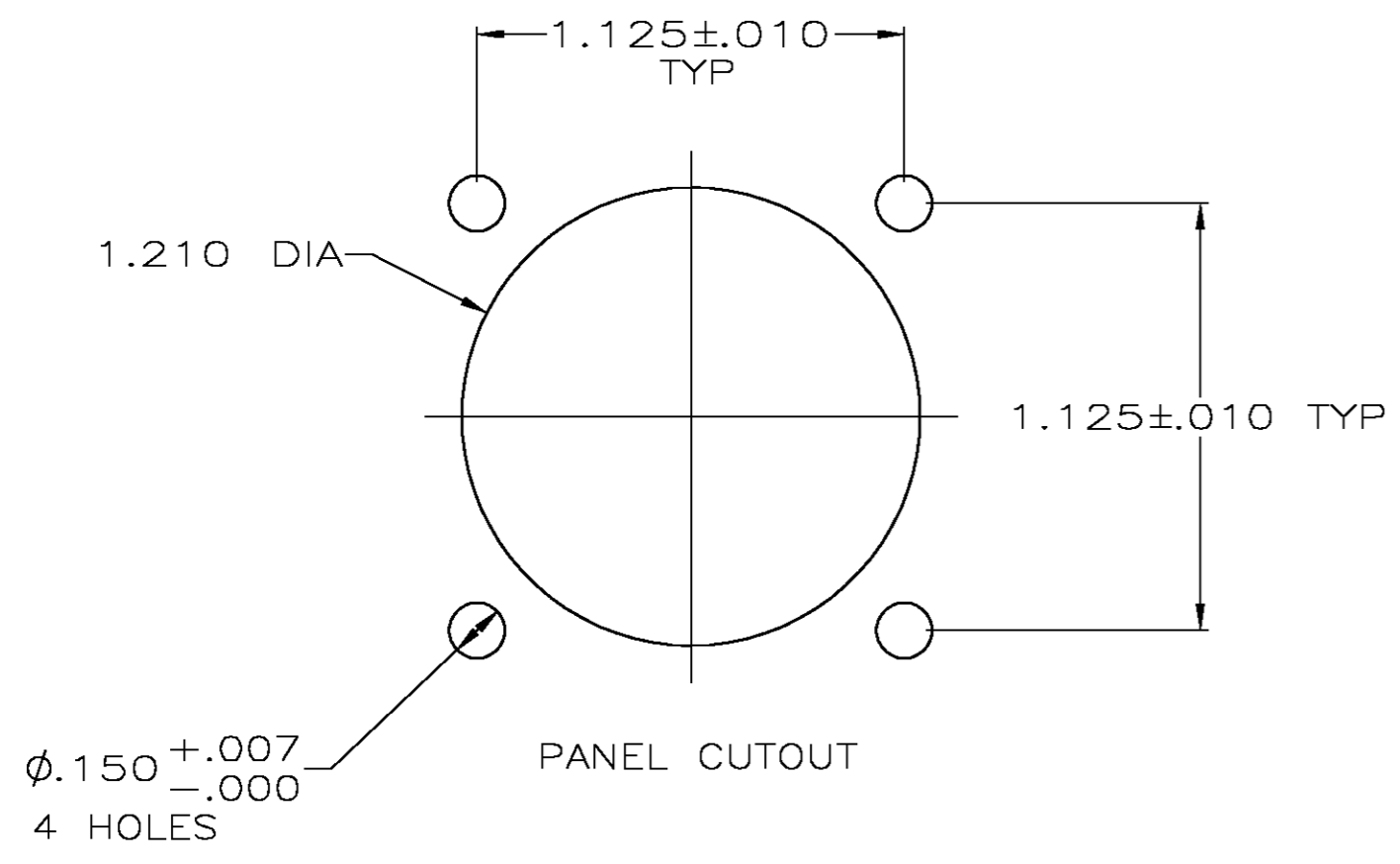
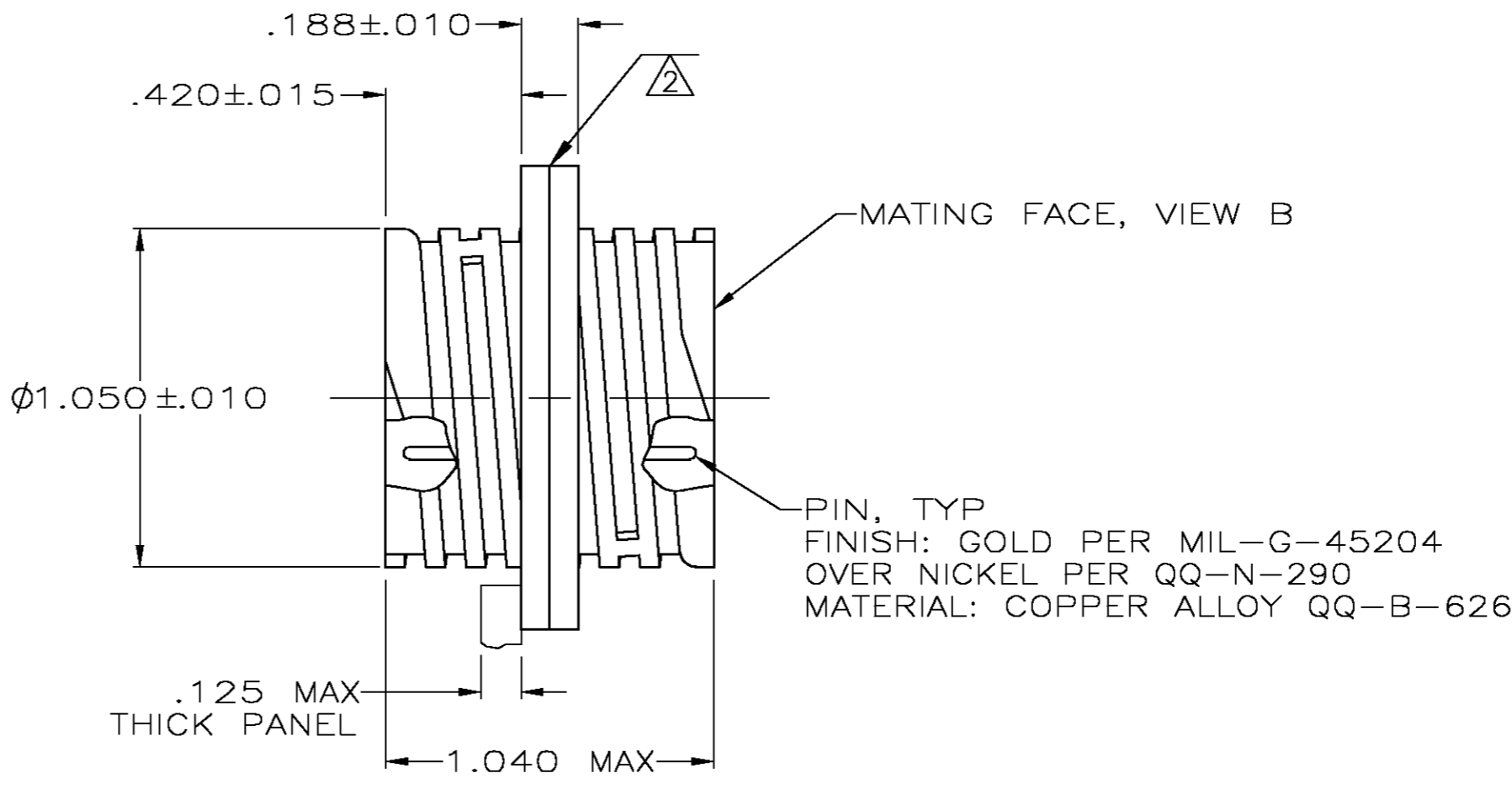
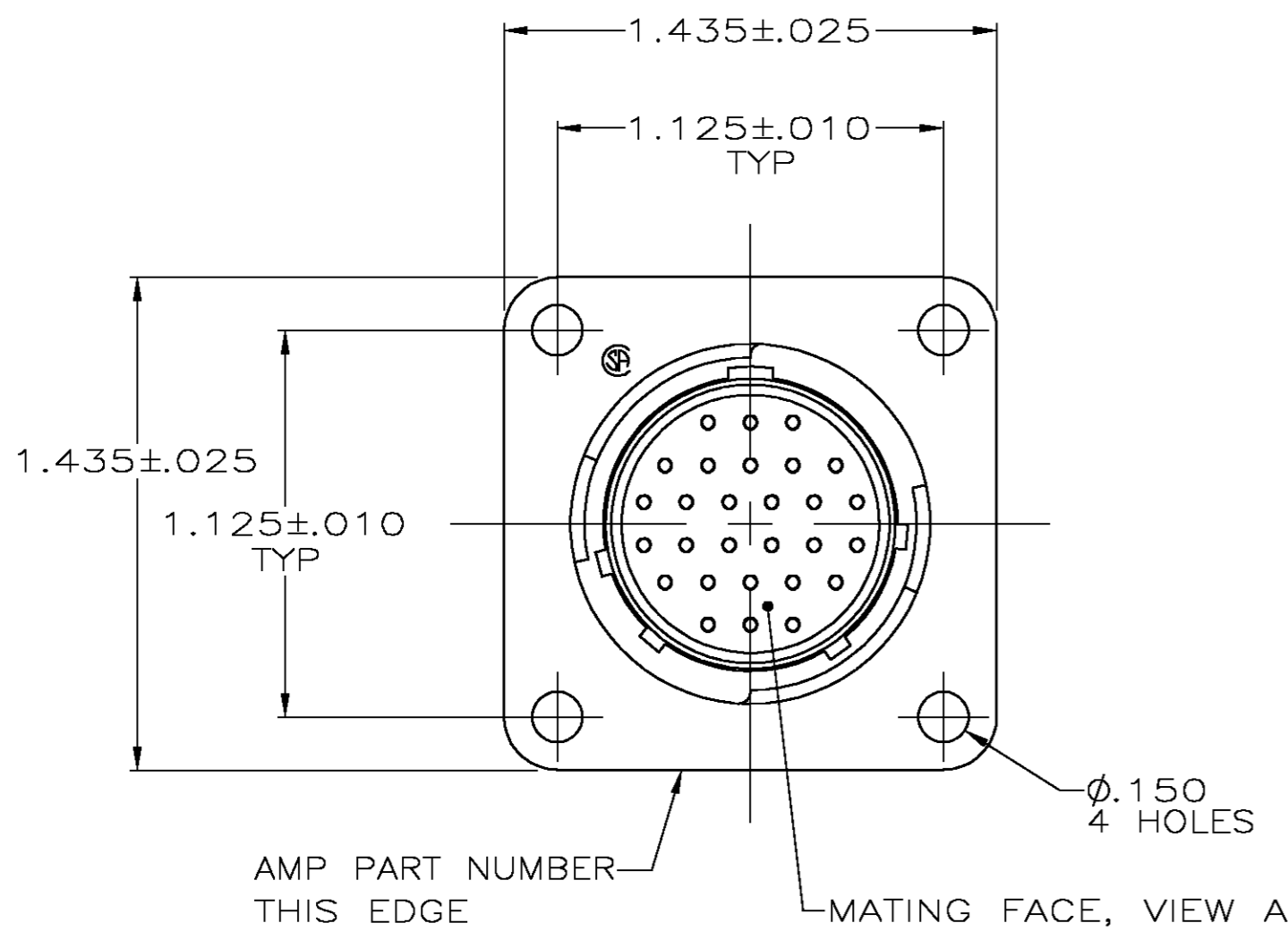
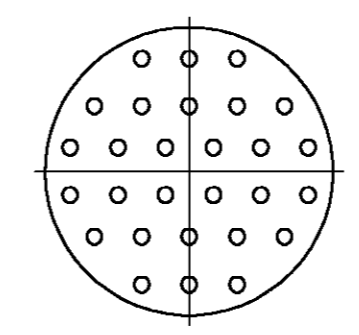


THIS DRAWING IS UNPUBLISHED. RELEASED FOR PUBLICATION
 © COPYRIGHT BY TYCO ELECTRONICS CORPORATION. ALL RIGHTS RESERVED.

LOC		DIST		REVISIONS			
P	LTR	DESCRIPTION	DATE	DWN	APVD		
FT	0						
	E	REVISED PER 0G3B-0548-04	6/22/04	SS	SH		



VIEW A
 CAVITY CONFIGURATION OF MATING FACE



- NOTES:
- CONNECTOR IS FULLY LOADED WITH SIZE 20 PIN CONTACTS, PERMANENTLY INSTALLED.
 - .012 MAXIMUM GAP PERMISSIBLE BETWEEN CONNECTOR HALVES.

206127-1
 PART NUMBER

THIS DRAWING IS A CONTROLLED DOCUMENT.		DWN	5-21-91	Tyco Electronics Corporation	
		CHK	4-13-92	Harrisburg, Pa 17105-3608	
		APVD		NAME	
		PRODUCT SPEC		RECEPTACLE ASSEMBLY, FEED THRU, SERIES 2, 17-28, CPC	
		APPLICATION SPEC		-	
		SIZE	CAGE CODE	DRAWING NO	RESTRICTED TO
		A2	00779	C=206127	-
MATERIAL		WEIGHT		SCALE	
RCPT: THERMOPLASTIC		-		2:1	
		CUSTOMER DRAWING		SHEET 1 OF 1	
				REV E	

单击下面可查看定价，库存，交付和生命周期等信息

[>>TE Connectivity\(泰科\)](#)