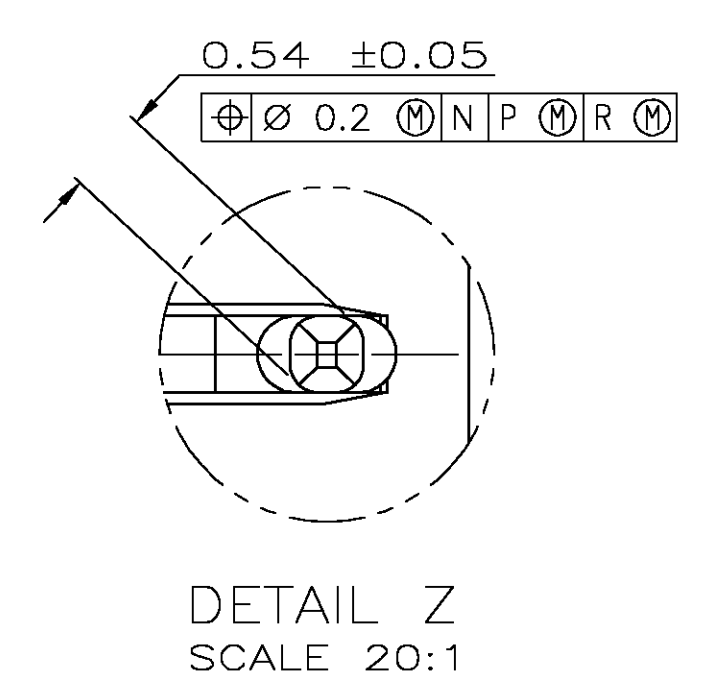


- △ HOUSING MATERIAL: LIQUID CRYSTAL POLYMER PER ASTM D5138 LCP000 G30A 32250, COLOR: NATURAL.
- △ CONTACT MATERIAL: PHOSPHOR BRONZE PER UNS ALLOY NO. C51100, TEMPER: H04.
- △ CONTACT FINISH:(D)  
 UNDERPLATE (ENTIRE CONTACT):  
 0.00127 MIN NICKEL PER SAE-AMS-QQ-N-290  
 ON MATING SURFACES:  
 FLASH GOLD PER ASTM B 488, OVER  
 0.00076 MIN PALLADIUM-NICKEL OVER UNDERPLATE, OR  
 0.00076 MIN GOLD PER ASTM B 488 OVER UNDERPLATE.  
 ON LEADS:  
 0.00127 MIN MATTE TIN PER ASTM B 545 OVER UNDERPLATE.  
 LUBRICATION (MIN MATING SURFACES):  
 SURFACE CONDITIONER AFTER PLATING.
- △ PART MARKING, LOCATED APPROXIMATELY AS SHOWN.

ROW	D	AA	AA	AA	AA
C	AA	AA	AA	AA	AA
B	AC	AC	AC	AC	AC
A	AA	AA	AA	AA	AA
	1	2	3		X
	POWER			POWER	
	POSITION				

CODE LETTER	MATING POST LENGTH ±0.1	LEAD LENGTH (REF)
AA	6.5	4.25
AC	8	4.25



RECOMMENDED CIRCUIT PATTERN  
 PER IPC-D300 TYPE II, CLASS C  
 (COMPONENT SIDE)

18	3	22	11	23.88	△	16	536606-2
6	1	10	5	11.88	△	8	536606-1
E	D	C	B	A	FINISH	NO OF POWER POSN	PART NUMBER

THIS DRAWING IS A CONTROLLED DOCUMENT.		DMN	R	BUCHHEISTER	07/DEC/95	 Tyco Electronics Corporation Harrisburg, Pa 17105-3608
DIMENSIONS: mm [NCHES]		CHK	D	BAECHTLE	07/DEC/95	
TOLERANCES UNLESS OTHERWISE SPECIFIED:		APVD	D	SINISI	07/DEC/95	NAME
0 PLC	± -	PRODUCT SPEC		ASSEMBLY, PIN, POWER, VERTICAL, Z-PACK 2mm FB, 4 ROW, PRESS FIT LEADS, SEQUENCED BY ROW		
1 PLC	± -	APPLICATION SPEC		SIZE		
2 PLC	± 0.13	MATERIAL		CAGE CODE		
3 PLC	± -	FINISH		DRAWING NO		
4 PLC	± -	WEIGHT		RESTRICTED TO		
ANGLES	± -	CUSTOMER DRAWING		SCALE		
		A1		00779		
		C=5536606		SHEET		
				1 OF 1		
				REV		
				0		

单击下面可查看定价，库存，交付和生命周期等信息

[>>TE Connectivity\(泰科\)](#)