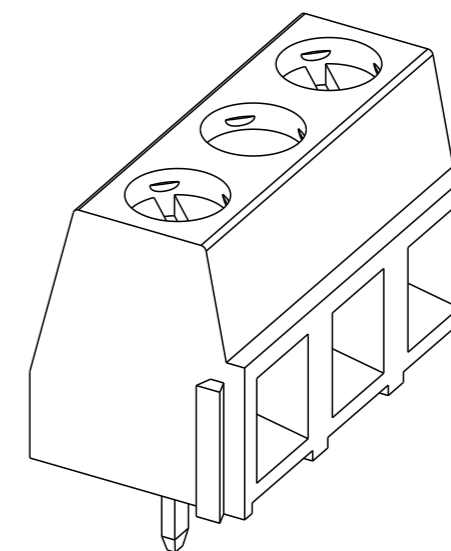
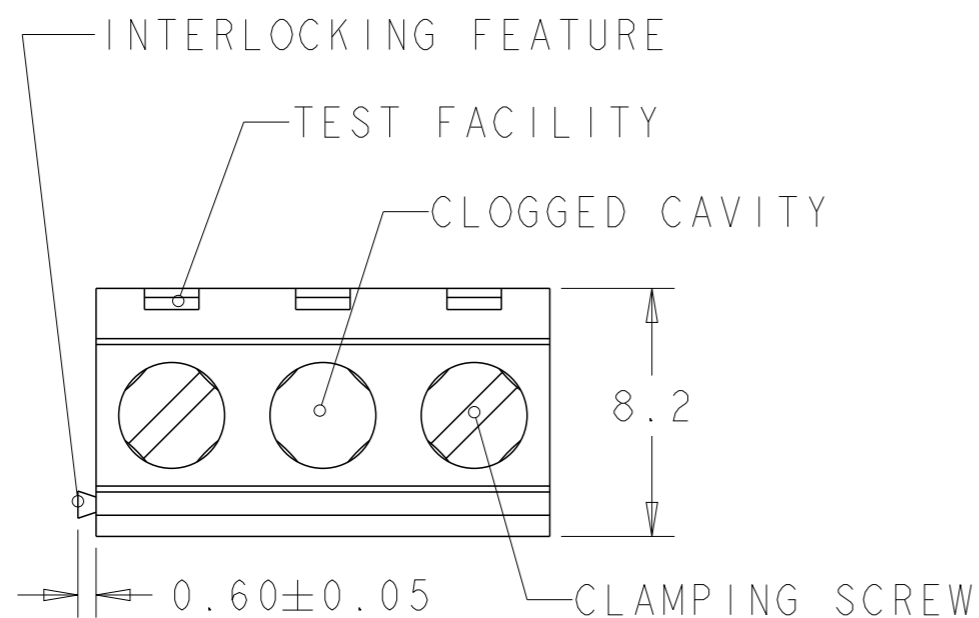
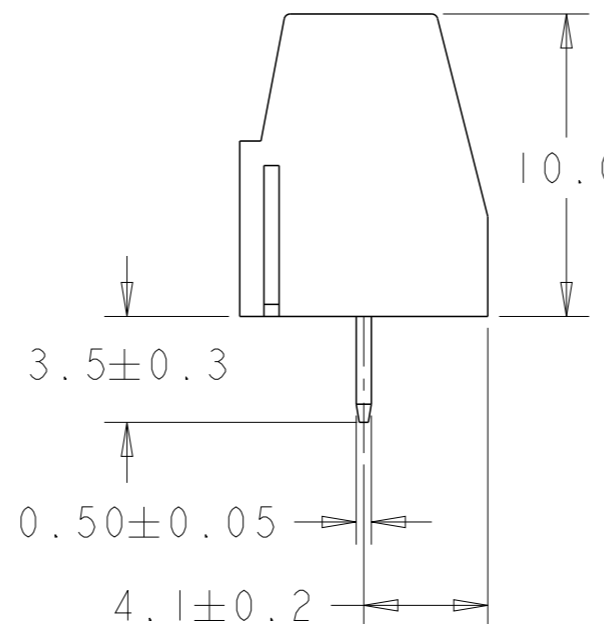
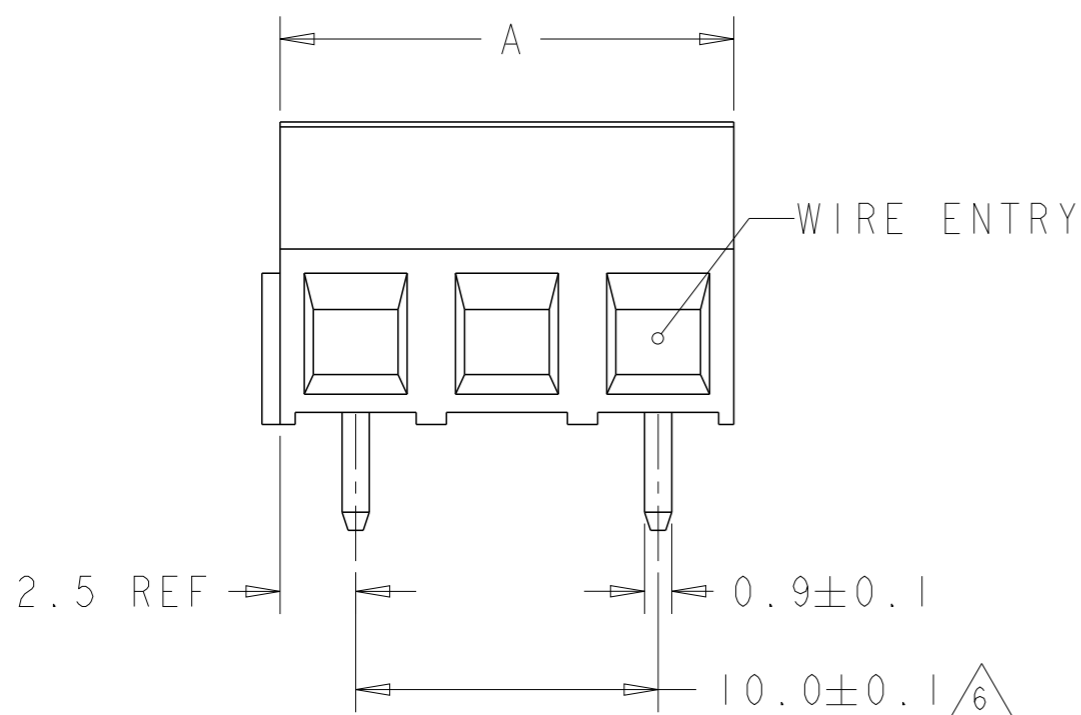


REVISIONS

| P | LTR | DESCRIPTION | DATE | DWN | APVD |
|---|-----|---------------------------------|-----------|-----|------|
| | E | PKG IS CHANGED FROM BOX TO TRAY | 22FEB2018 | RK | PS |
| | | | | | |
| | | | | | |

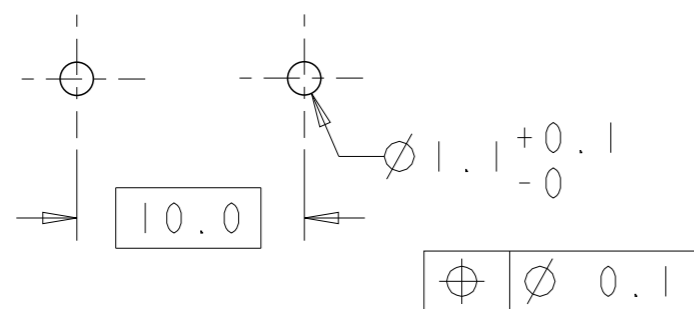


282838-2 AS SHOWN



| MARKING | DIM. A | NO OF POS. | PART NUMBER | |
|----------|------------|------------|-------------|----------|
| OBSOLETE | 125 | 13 | 1-282838-4 | |
| | 115 | 12 | 1-282838-3 | |
| | 105 | 11 | 1-282838-2 | |
| | 95 | 10 | 1-282838-1 | |
| | 85 | 9 | 1-282838-0 | |
| | 75 | 8 | 282838-9 | |
| | 65 | 7 | 282838-8 | |
| | SEE PAGE 2 | 25 | 3 | 282838-7 |
| | | 55 | 6 | 282838-6 |
| | | 45 | 5 | 282838-5 |
| | 35 | 4 | 282838-4 | |
| | 25 | 3 | 282838-3 | |
| | 15 | 2 | 282838-2 | |

RECOMMENDED PC BOARD LAYOUT



| | |
|--|--|
| THIS DRAWING IS A CONTROLLED DOCUMENT. | |
| DIMENSIONS: mm | TOLERANCES UNLESS OTHERWISE SPECIFIED: |
| | 0 PLC ±- |
| | 1 PLC ±.3 |
| | 2 PLC ±.25 |
| | 3 PLC ±- |
| | 4 PLC ±- |
| | ANGLES ±2 |
| MATERIAL | FINISH |
| | |

| | |
|------------------|-----------|
| DWN | 24AUG2001 |
| E. ZANOLINI | |
| CHK | 24AUG2001 |
| D. BIEVENOUR | |
| APVD | 24AUG2001 |
| D. BIEVENOUR | |
| PRODUCT SPEC | 108-20166 |
| APPLICATION SPEC | 114-20079 |
| WEIGHT | - |
| CUSTOMER DRAWING | |

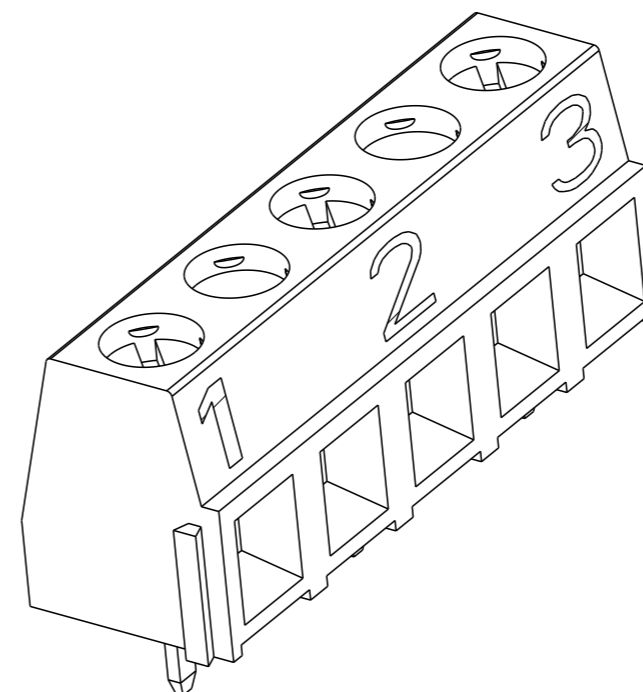
| | | | |
|-----------------|-----------|---|---------------|
| TE Connectivity | | NAME | |
| | | TERMINAL BLOCK PCB MOUNT SIDE ENTRY WIRE 10mm PITCH | |
| SIZE | CAGE CODE | DRAWING NO | RESTRICTED TO |
| A3 | 00779 | C-282838 | - |
| SCALE | | SHEET | REV |
| 4:1 | | 1 OF 2 | E |

REVISIONS


| P | LTR | DESCRIPTION | DATE | DWN | APVD |
|---|-----|-------------|------|-----|------|
| | - | SEE SHEET 1 | - | - | - |
| | | | | | |
| | | | | | |

NOTES:

- 1. MATERIALS AND FINISH
 HOUSING : PA 6-6, UL 94-V0, COLOR GREEN.
 CLAMP : BRASS, NICKEL PLATED.
 TERMINAL : BRASS, TIN PLATED.
 CLAMPING SCREW : M3, BRASS, NICKEL PLATED.
- 2. MECHANICAL
 WIRE STRIPPING LENGTH : 5.0 - 6.0 mm
 MIN. PC BOARD HOLES DIAMETER : 1.1 mm
 MAX. PC BOARD THICKNESS : 2.4 mm
 RECOMMENDED TIGHTENING TORQUE FOR SCREW : 0.5 Nm.
- 3. ELECTRICAL
 WIRE RANGE : 16-30 AWG.
 MAX. VOLTAGE : 600 V
 MAX CURRENT : 13.5 A
 CONTACT RESISTANCE : <15 m Ohm
 INSULATION RESISTANCE : >1000 M Ohm (500V DC)
- 4. OPERATING TEMPERATURE RANGE : -40°C TO +110°C
- 5. RECOGNIZED UNDER THE COMPONENT PROGRAM OF UNDERWRITERS LABORATORIES INC. FILE NO E60677.
- 6. NOT CUMULATIVE TOLERANCE.
- 7. INK MARKING COLOR WHITE, UNLESS OTHERWISE SPECIFIED.
 NUMERICAL SEQUENCE : FROM LEFT TO RIGHT, UNLESS OTHERWISE SPECIFIED.
- 8. PACKED IN TRAY.



282838-7 AS SHOWN

| | | | | | |
|--|--|-----------------------------------|---|--------------------|------------------------|
| THIS DRAWING IS A CONTROLLED DOCUMENT. | | DWN E. ZANOLINI 24AUG2001 |  TE Connectivity | | |
| DIMENSIONS: mm | | CHK D. BIEVENOUR 24AUG2001 | | | |
| TOLERANCES UNLESS OTHERWISE SPECIFIED: | | APVD D. BIEVENOUR 24AUG2001 | NAME TERMINAL BLOCK PCB MOUNT SIDE ENTRY WIRE 10mm PITCH | | |
| 0 PLC ±- 1 PLC ±.3 2 PLC ±.25 3 PLC ±- 4 PLC ±- ANGLES ±2 | | PRODUCT SPEC 108-20166 | RESTRICTED TO | | |
| MATERIAL | | APPLICATION SPEC 114-20079 | SIZE A3 | CAGE CODE 00779 | DRAWING NO C-282838 |
| FINISH | | WEIGHT - | SCALE 4:1 | | |
| | | CUSTOMER DRAWING | SHEET 2 OF 2 | | |
| | | | REV E | | |

单击下面可查看定价，库存，交付和生命周期等信息

[>>TE Connectivity\(泰科\)](#)