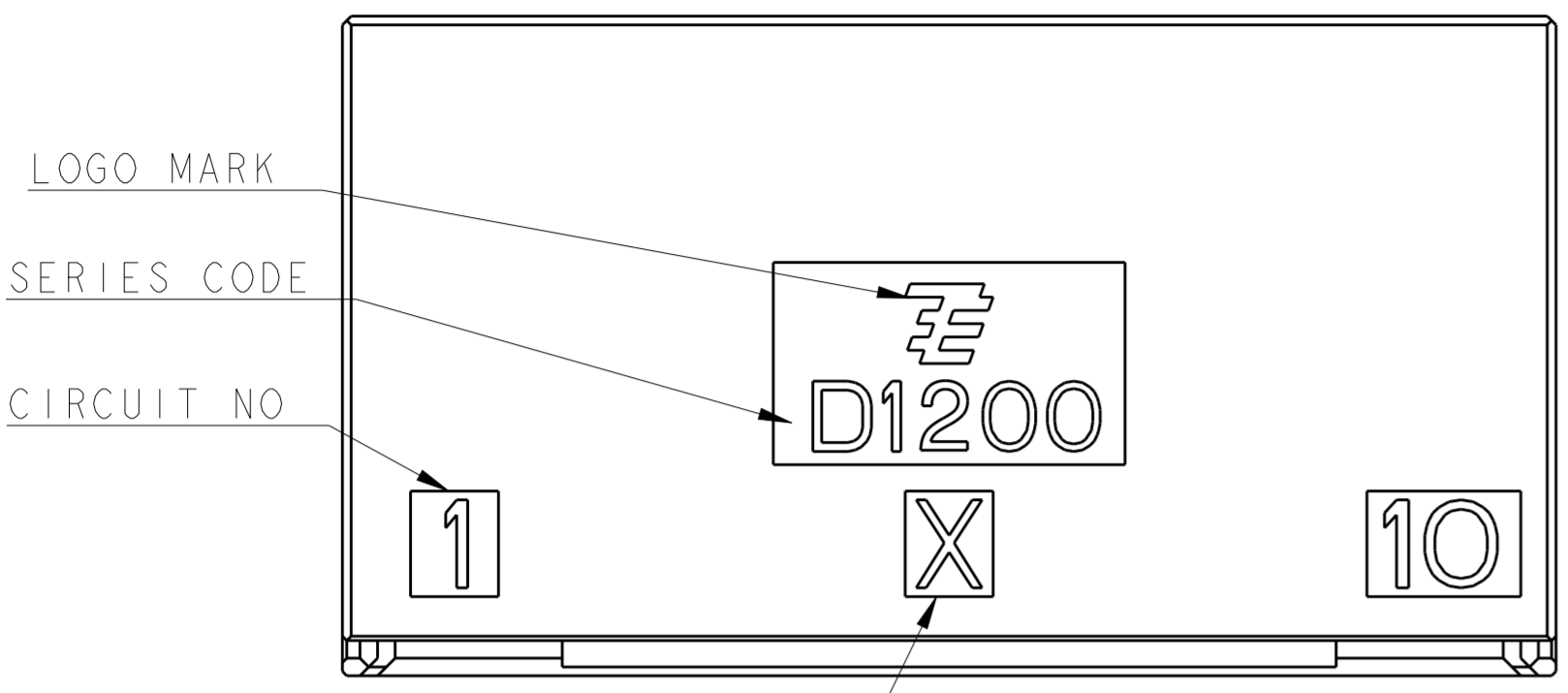


THIS DRAWING IS UNPUBLISHED. RELEASED FOR PUBLICATION 20
 © COPYRIGHT 20 ALL RIGHTS RESERVED.

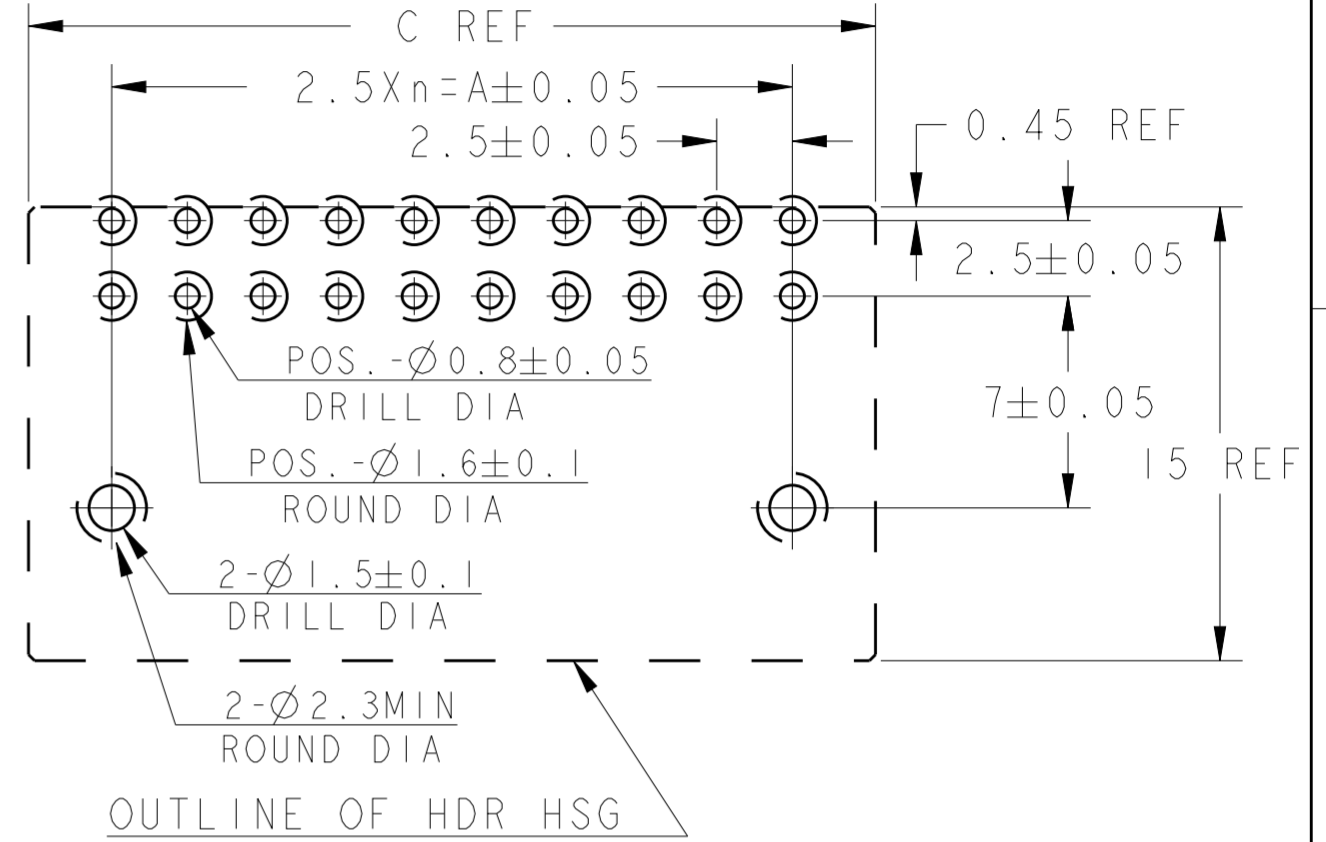
1. MATERIAL: HOUSING: GLASS FILED THERMO PLASTIC POLYESTER(94V-0), COLOR: BLACK
 CONTACT: COPPER ALLOY
 RETENTION LEG: PRE-TIN COPPER ALLOY

REVISONS		DATE	DWN	APVD
P	LTR	DESCRIPTION		
C2		REVISED PER ECR-17-009217	24JUL2017	K.T E.T



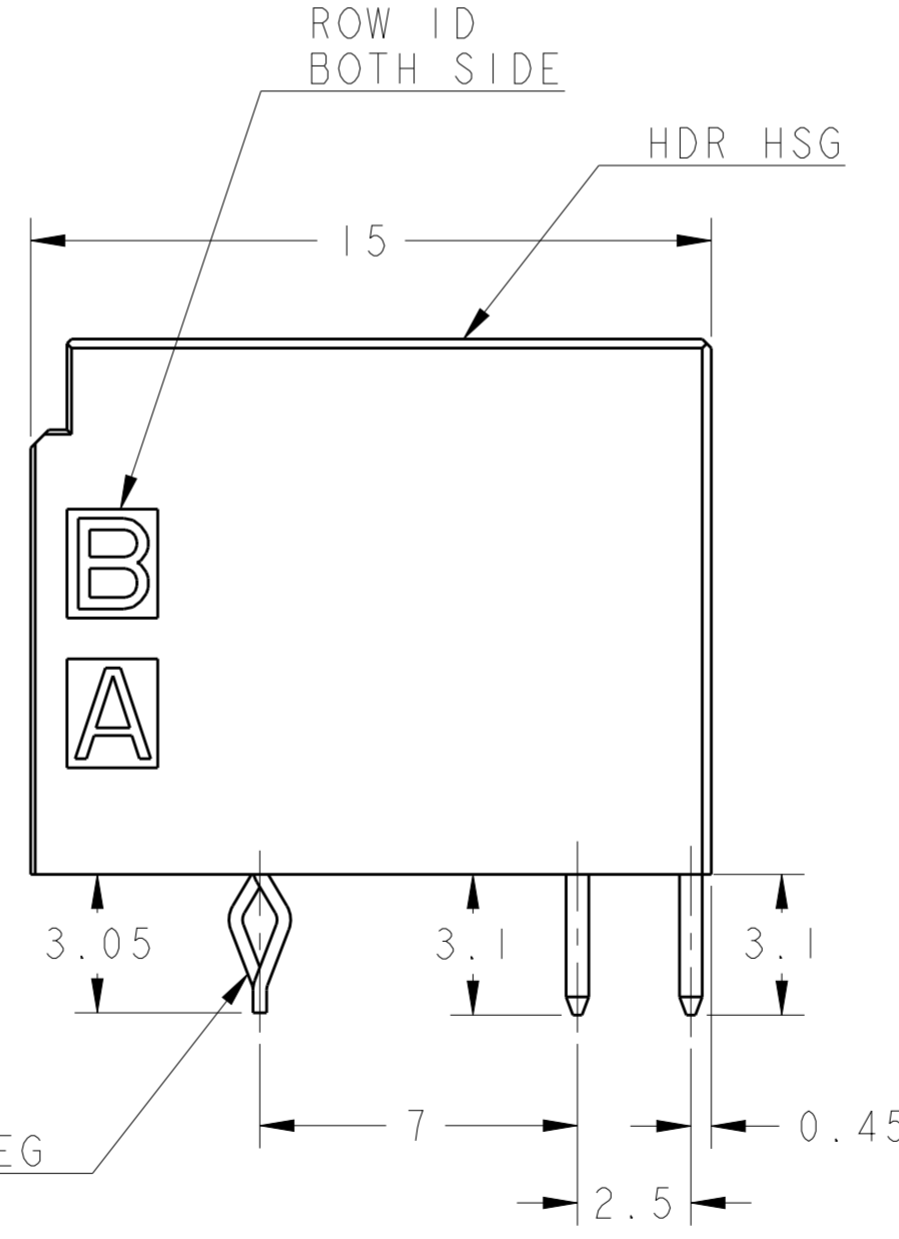
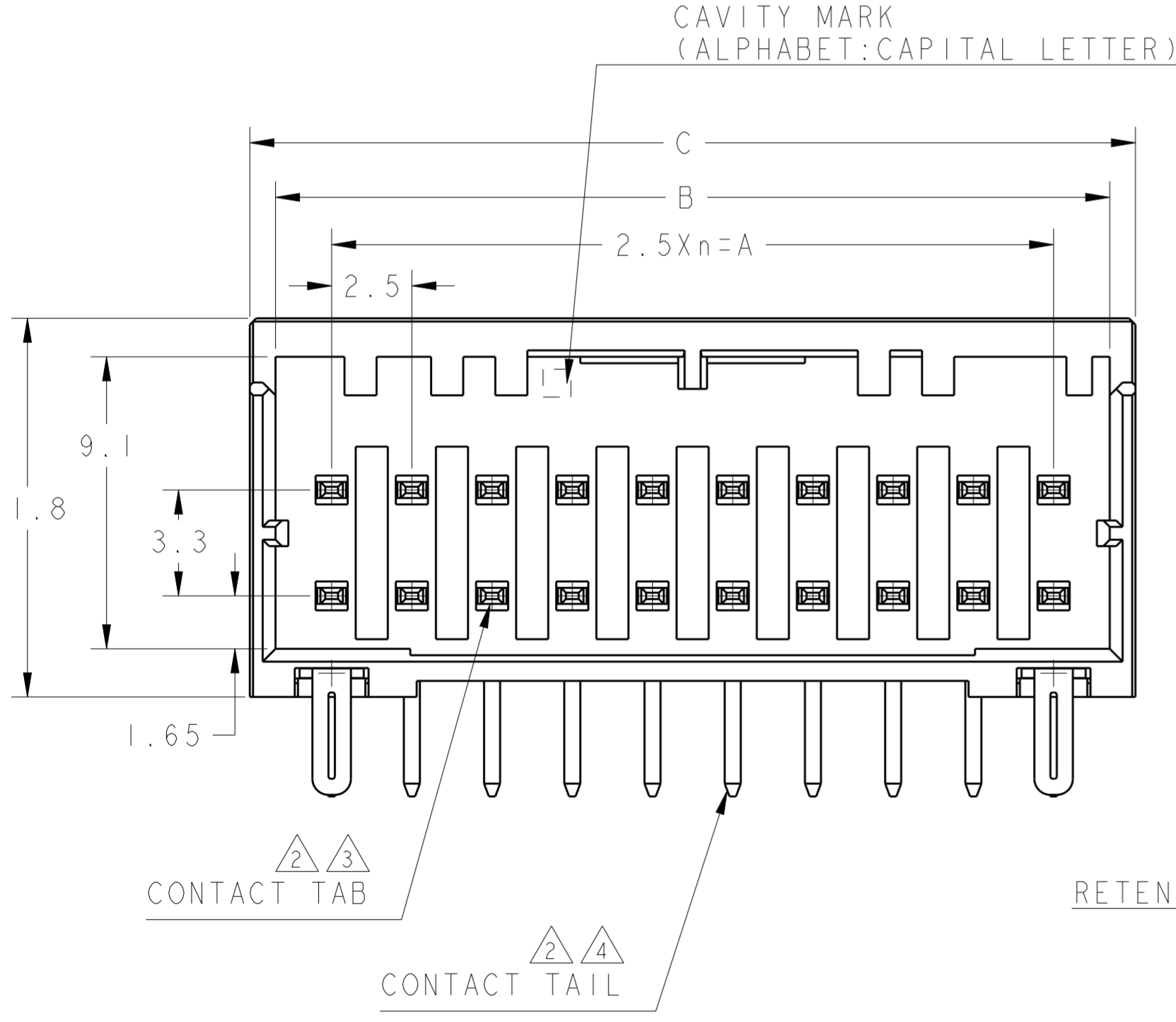
- 2. FINISH(ALL OVER): NICKEL PL. 1.27μmMIN
- 3. FINISH(CONTACT AREA): GOLD PL. 0.38μmMIN AFTER 2
- 4. FINISH(CONTACT TAIL): TIN PL. 2μmMIN AFTER 2
- 5. THE SHAPE, SIZE AND POSITION OF THE CHARACTER SHOW THE OUTLINE. THEY DON'T SHOW DETAILS.
- 6. THE KEYING ARRANGEMENT OF "Y" IS SYMMETRIC WITH "X".

- 1. 材料: ハウジング: ガラス入り熱可塑性ポリエステル樹脂(94V-0)、色: 黒
 コンタクト: 銅合金
 リテンションレグ: 錫めっき済銅合金
- 2. めっき: 全面: ニッケル下地めっき1.27μm以上
- 3. めっき: 接触部 2の上に金めっき0.38μm以上
- 4. めっき: コンタクト半田付部: 2の上に錫めっき2μm以上
- 5. 文字の形状、大きさ、および位置については、大略を示すものであり、詳細を示すものではありません。
- 6. Y KEY形状は、X KEY形状と左右対称



推奨基板取付寸法 : コネクタ搭載面(非累積公差)
 PC基板厚 : 1.0~1.6±0.1

RECOMMEND PC BOARD HOLE PATTERN : CONNECTOR MOUNT SIDE(NOT ACCUMULATE TOLERANCE)
 PC BOARD THICKNESS : 1.0~1.6±0.1



AS SHOWN : 1-1827876-0 (20POS:X-KEY)
 ONLY 4POS----SEE SHEET 2 OF 3

POS	KEY	n	A	B	C	PART NO
20	Y	9	22.5	26.0	27.6	2-1827876-0
20	X	9	22.5	26.0	27.6	1-1827876-0
12	Y	5	12.5	16.0	17.6	2-1827876-6
12	X	5	12.5	16.0	17.6	1-1827876-6
8	Y	3	7.5	11.0	12.6	2-1827876-4
8	X	3	7.5	11.0	12.6	1-1827876-4
6	Y	2	5.0	8.5	10.1	2-1827876-3
6	X	2	5.0	8.5	10.1	1-1827876-3
4	Y	1	2.5	6.0	7.6	2-1827876-2
4	X	1	2.5	6.0	7.6	1-1827876-2

1-1827876-0
 (20POS:X-KEY)

THIS DRAWING IS A CONTROLLED DOCUMENT.

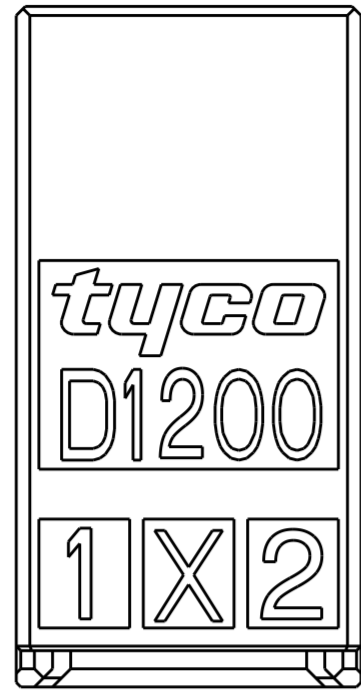
DWN T. KUDO 13JAN2005	 TE Connectivity DYNAMIC D1200D 2.5mmPITCH HDR ASSY (H-TYPE) 4-20POS	SIZE	CAGE CODE	DRAWING NO	RESTRICTED TO	
CHK D. MITSUGI 14MAR2005		A200779	C=1827876			
APVD D. MITSUGI 14MAR2005		SCALE 6:1			SHEET 1 OF 3	REV C2
PRODUCT SPEC 108-78268		CUSTOMER DRAWING				

APPLICAITON SPEC 114-5377

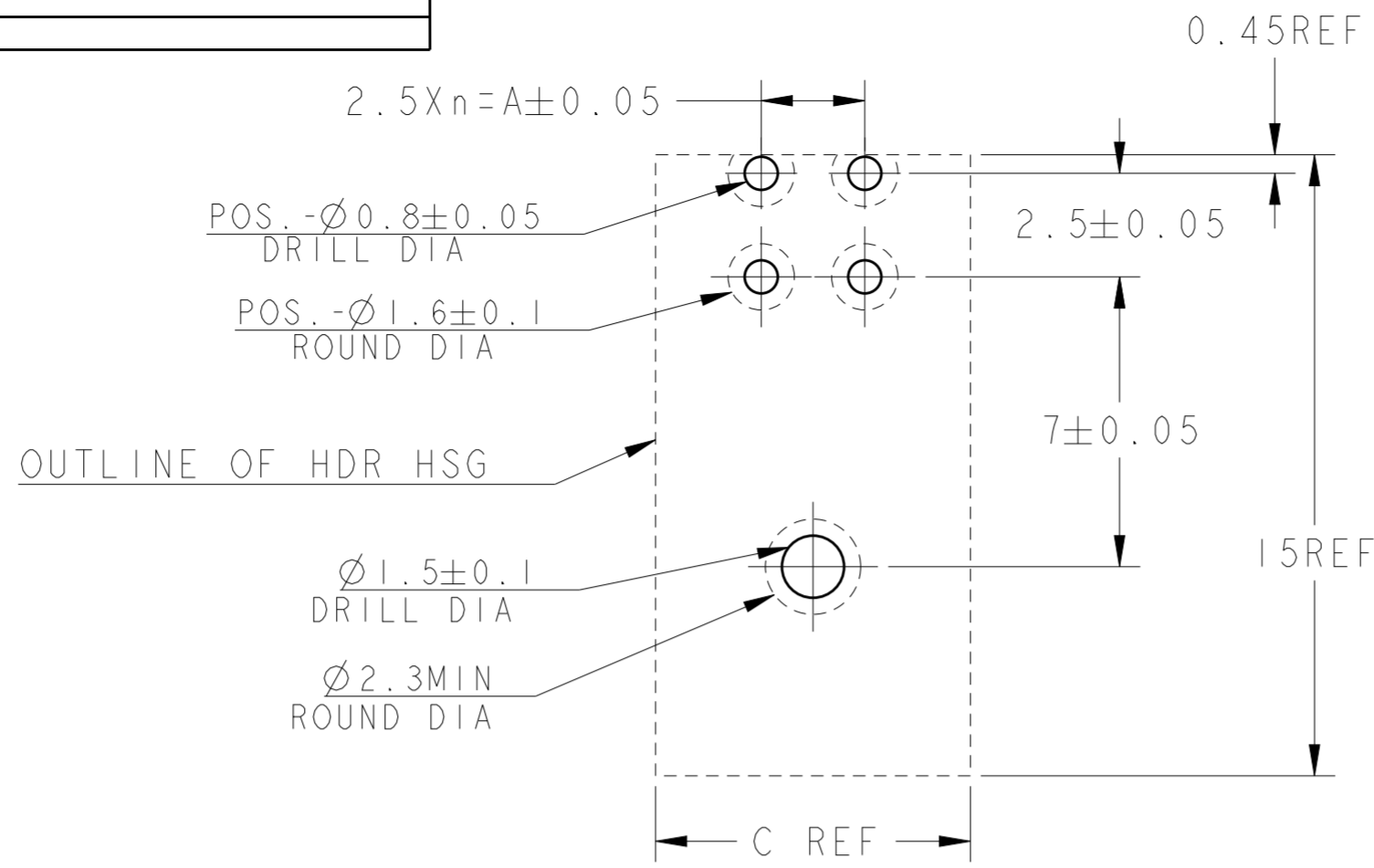
MATERIAL 材料

TOLERANCES UNLESS OTHERWISE SPECIFIED:
 一般公差 ±0.3, ±3°
 0-PLC ±0.5
 1-PLC ±0.5
 2-PLC ±0.13
 3-PLC ±0.013
 4-PLC ±0.0001
 ANGLES ±
 FINISH 仕上

LOC		DIST		REVISIONS			
P	LTR	DESCRIPTION	DATE	DWN	APVD		
J	-	SEE SHEET 1	-	-	-		



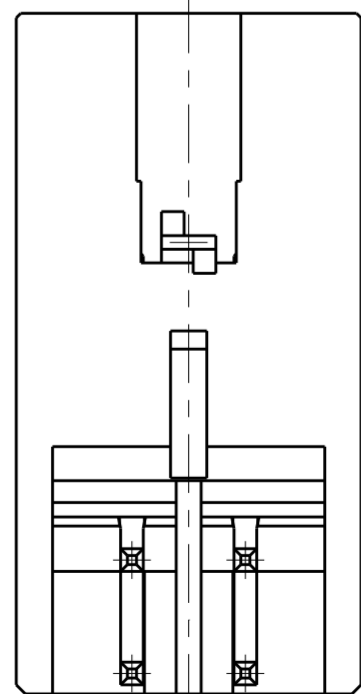
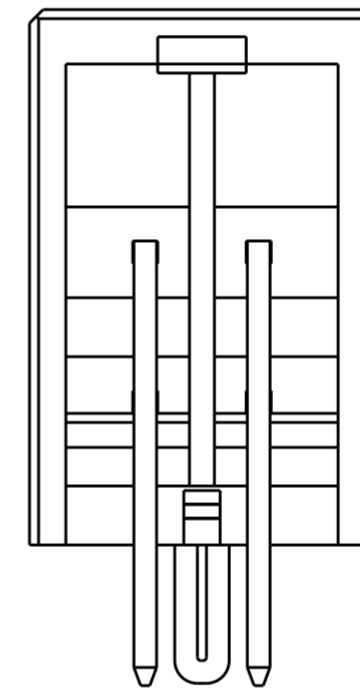
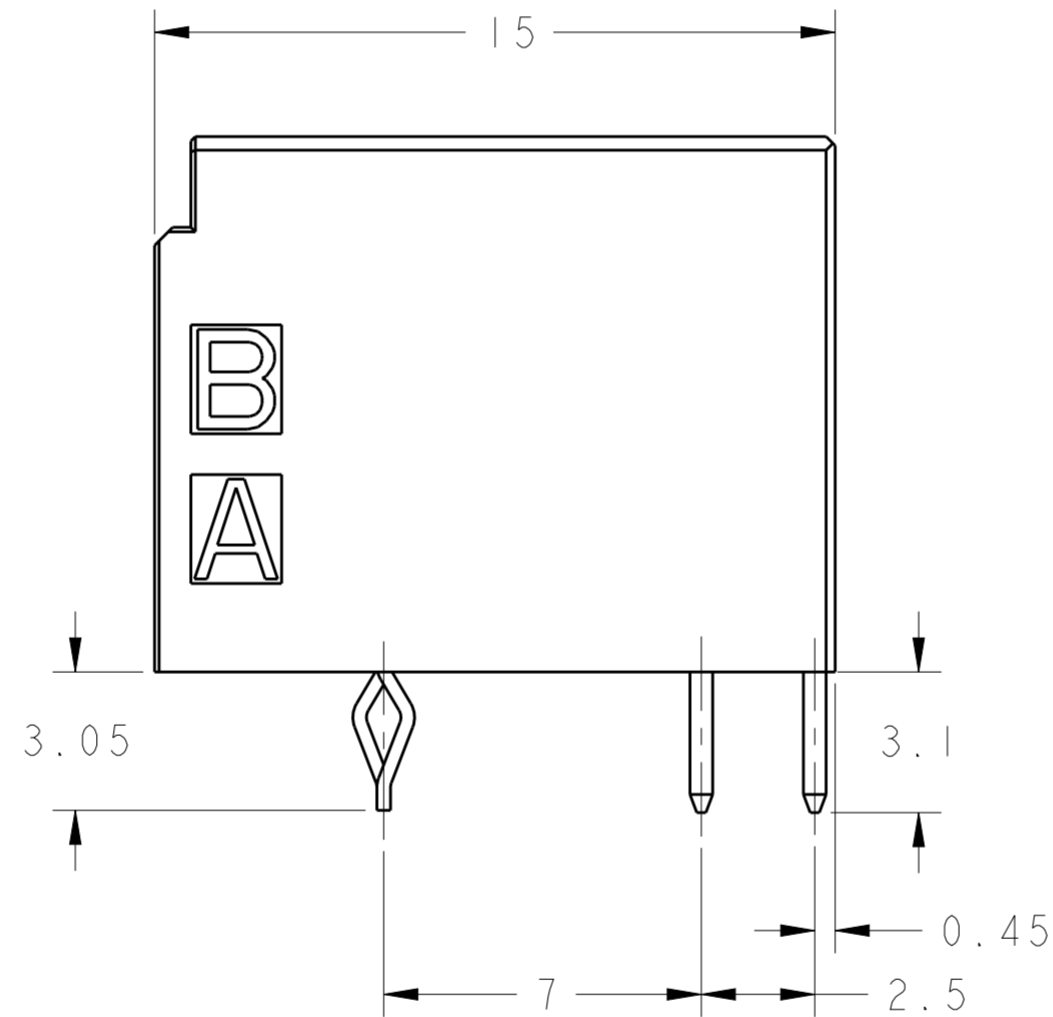
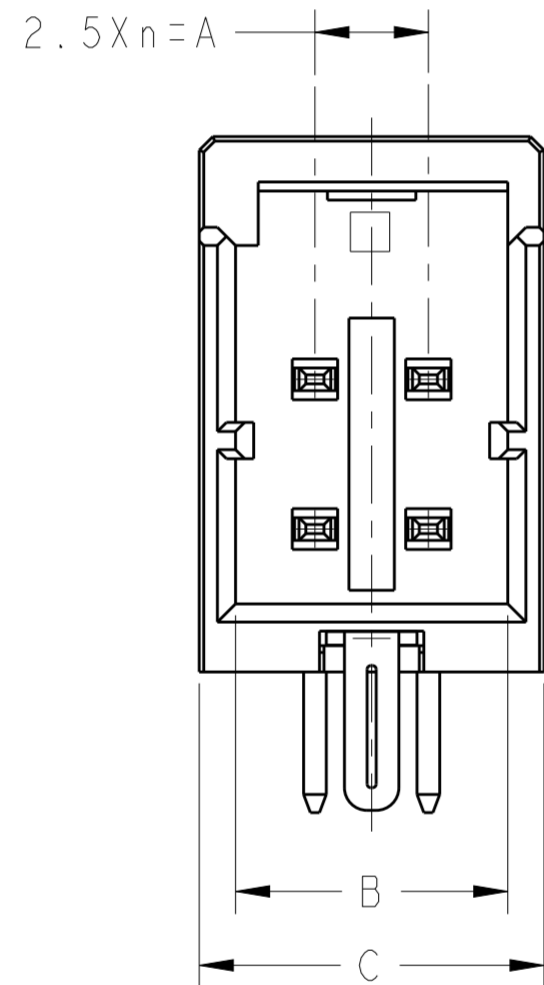
1-1827876-2
(4POS: X-KEY)



推奨基板取付穴寸法 : コネクタ搭載面 (非累積公差)
 PC基板厚 : 1.0~1.6±0.1

RECOMMEND PC BOARD HOLE PATTERN
 : CONNECTOR MOUNT SIDE (NOT ACCUMULATE TOLERANCE)
 PC BOARD THICKNESS : 1.0~1.6±0.1

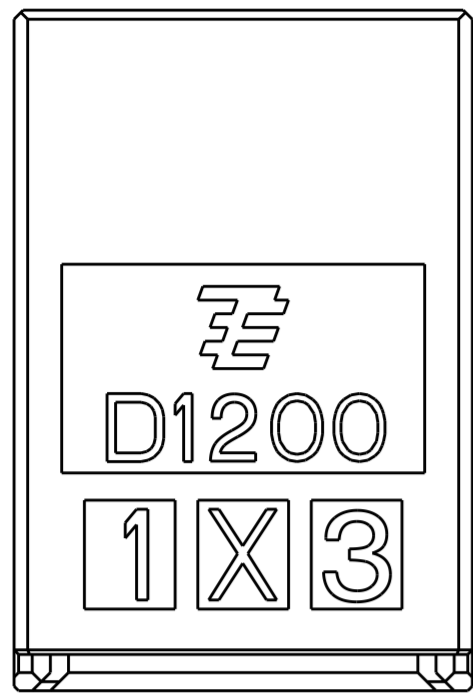
ONLY 4POS



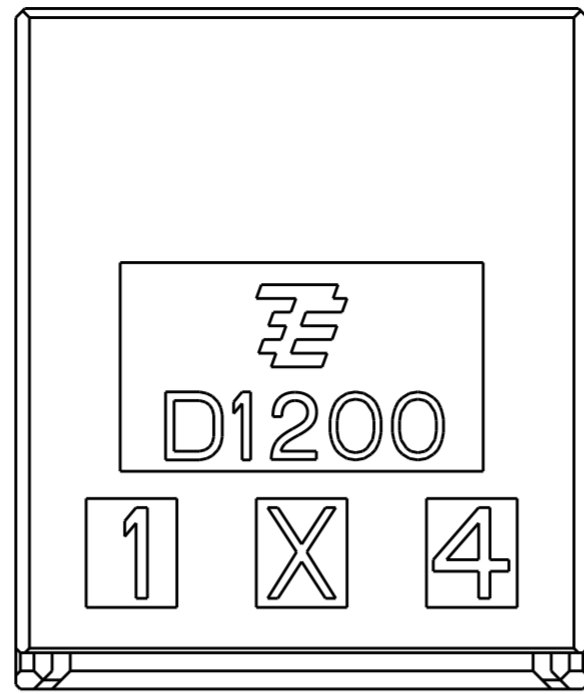
THIS DRAWING IS A CONTROLLED DOCUMENT		DWN I. KUDO	13JAN2005	TE Connectivity	
DIMENSIONS: mm		CHK D. MITSUGI	14MAR2005		
TOLERANCES UNLESS OTHERWISE SPECIFIED:		APVD D. MITSUGI	14MAR2005	NAME DYNAMIC D1200D 2.5mmPITCH HDR ASSY (H-TYPE) 4-20POS	
0 PLC ±		PRODUCT SPEC 108-78268		SIZE A200779	
2 PLC ±		APPLICATION SPEC 114-5377		DRAWING NO C-1827876	
3 PLC ±		WEIGHT -		RESTRICTED TO -	
4 PLC ±		CUSTOMER DRAWING		SCALE 6:1	
ANGLES ±				SHEET 2 OF 3	
FINISH				REV C2	

THIS DRAWING IS UNPUBLISHED. RELEASED FOR PUBLICATION 20
 © COPYRIGHT 20 ALL RIGHTS RESERVED.

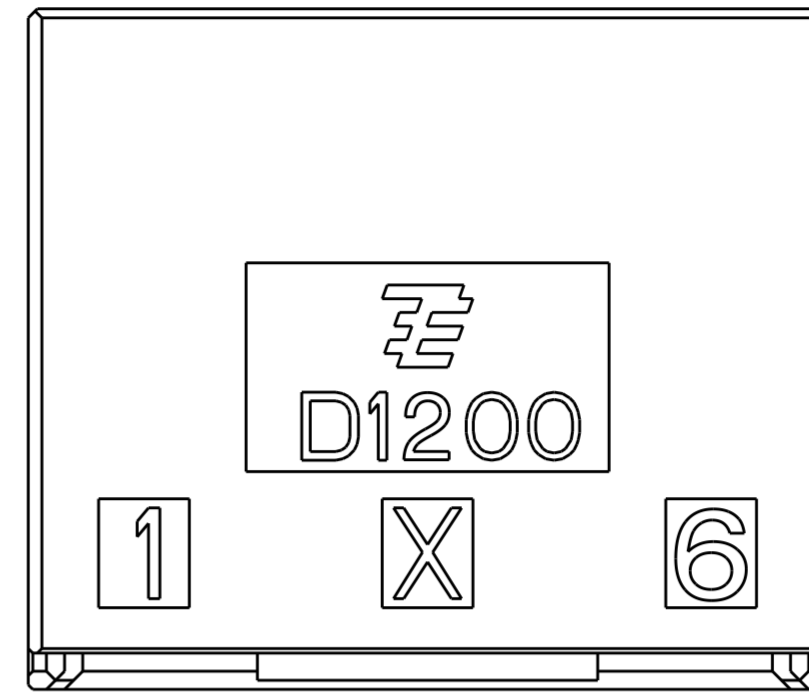
LOC		DIST		REVISIONS			
P	LTR	DATE	DWN	APVD	DESCRIPTION		
J	-	-	-	-	SEE SHEET 1		



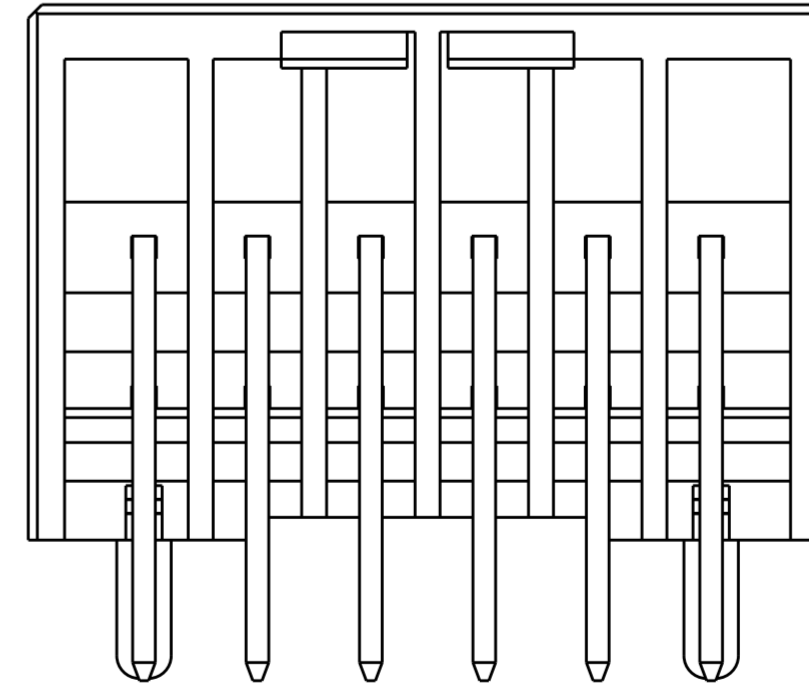
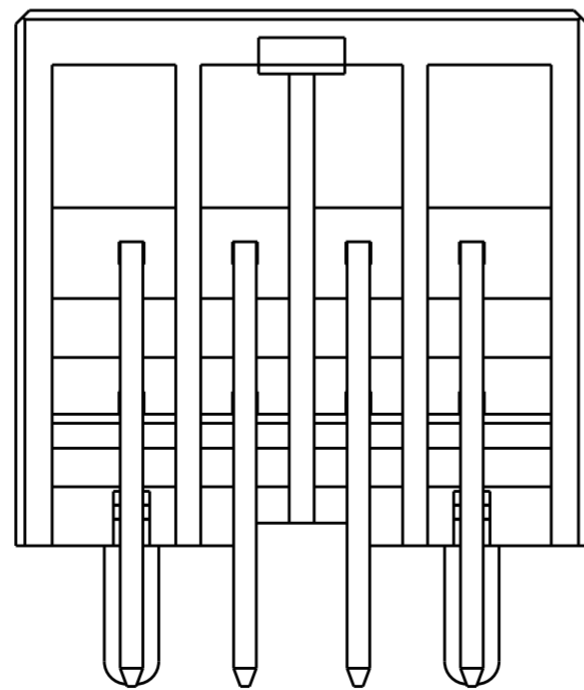
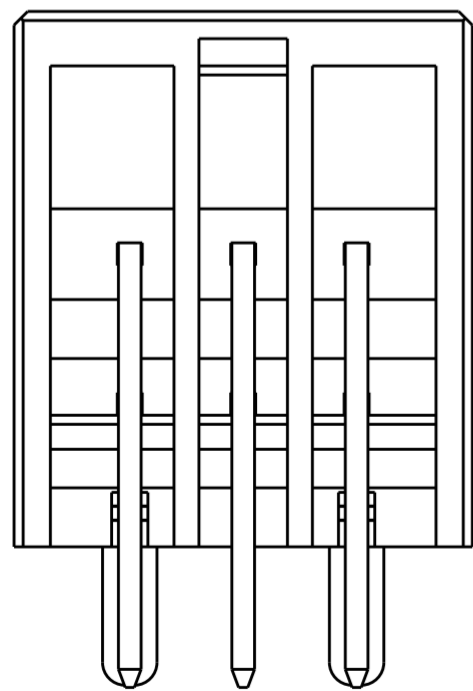
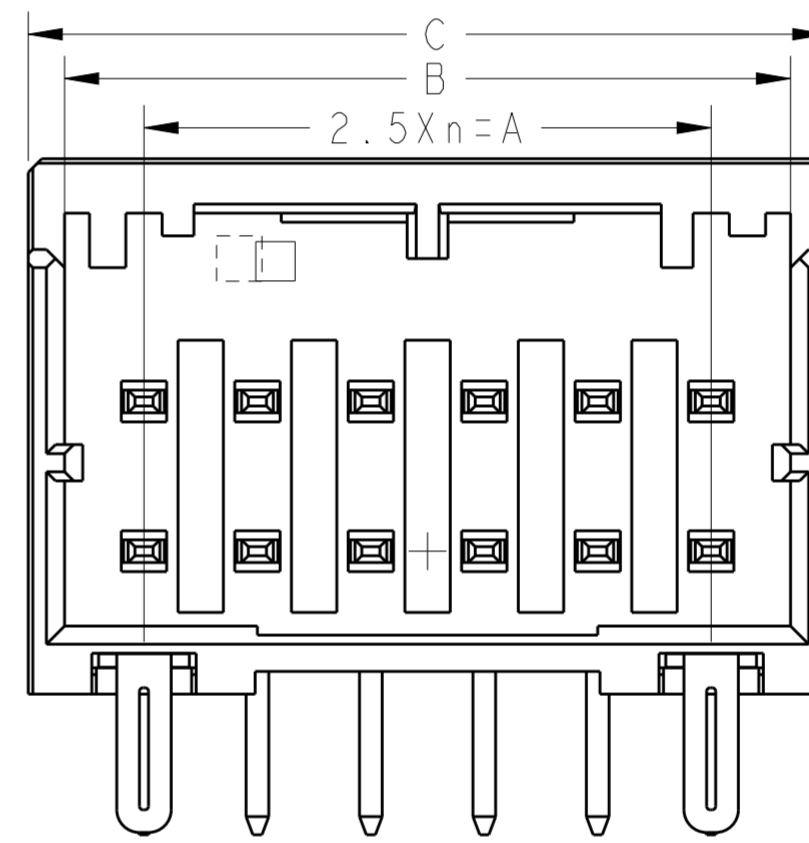
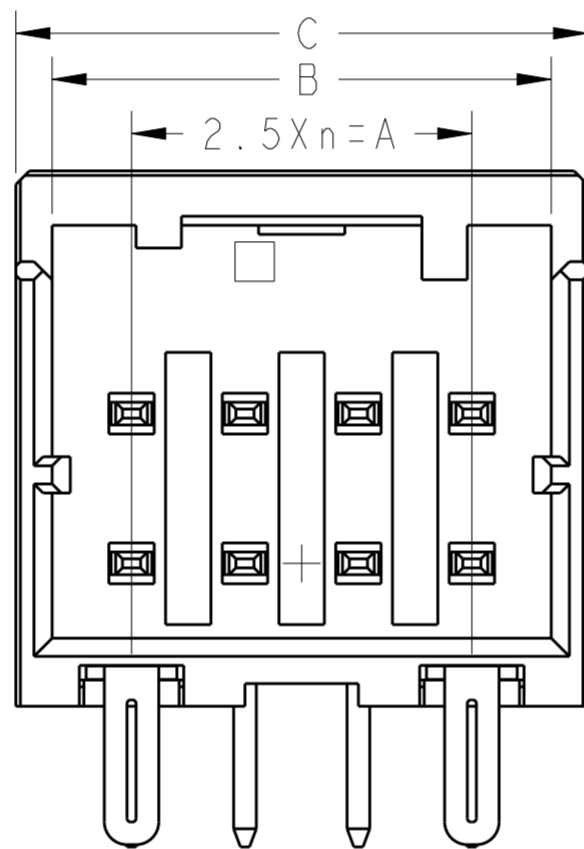
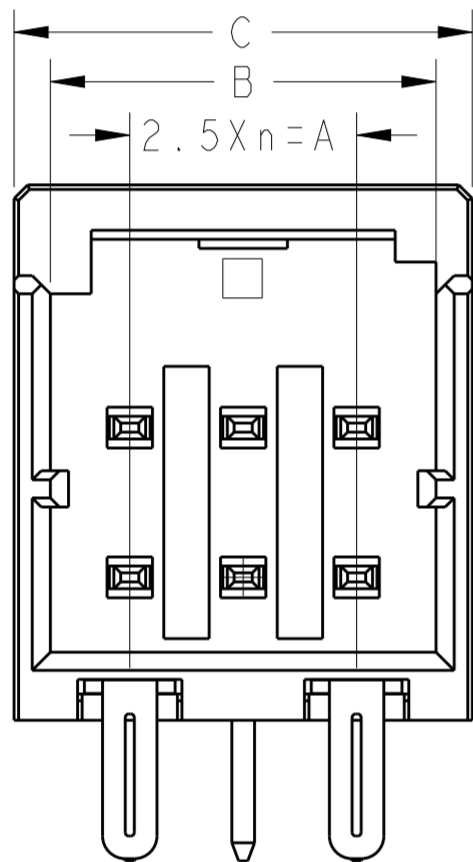
1-1827876-3
(6POS:X-KEY)



1-1827876-4
(8POS:X-KEY)



1-1827876-6
(12POS:X-KEY)



THIS DRAWING IS A CONTROLLED DOCUMENT		DWN	I. KUDO	16MAR2005	TE Connectivity NAME DYNAMIC D1200D 2.5mmPITCH HDR ASSY (H-TYPE) 4-20POS				
DIMENSIONS:		CHK	D. MITSUGI	14MAR2005					
mm		APVD	D. MITSUGI	14MAR2005					
TOLERANCES UNLESS OTHERWISE SPECIFIED:		PRODUCT SPEC	108-78268						
1.0 PLC	±	APPLICATION SPEC	114-5377		SIZE	CAGE CODE	DRAWING NO	RESTRICTED TO	
2.0 PLC	±	MATERIAL			A200779	C-1827876			
3.0 PLC	±	FINISH							
4.0 PLC	±	CUSTOMER DRAWING		SCALE	6:1	SHEET	3 OF 3	REV	C2
ANGLES	±								

单击下面可查看定价，库存，交付和生命周期等信息

[>>TE Connectivity\(泰科\)](#)