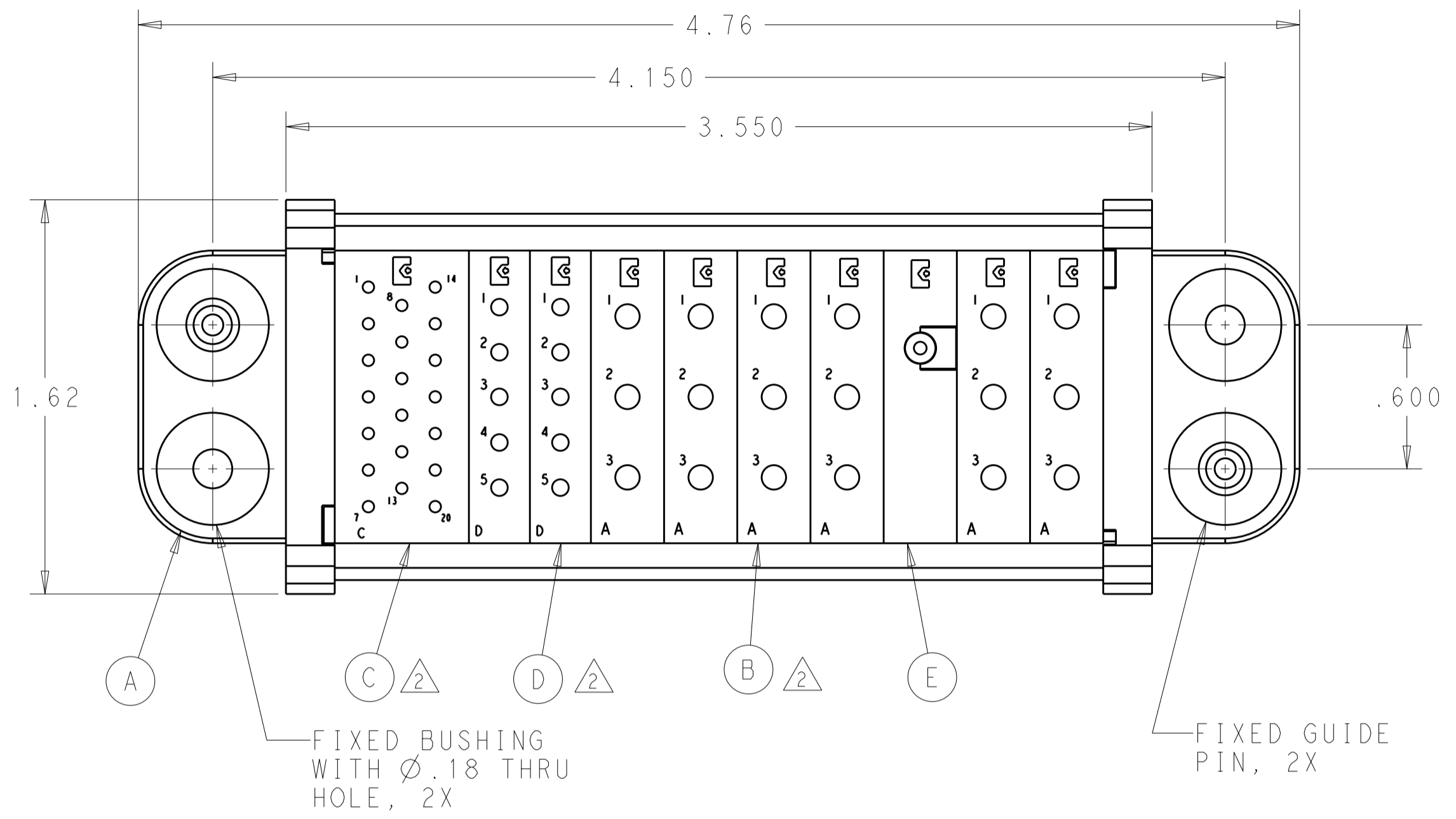


THIS DRAWING IS UNPUBLISHED. RELEASED FOR PUBLICATION 20
 © COPYRIGHT 20 BY TYCO ELECTRONICS CORPORATION. ALL INTERNATIONAL RIGHTS RESERVED.

| LOC | DIST | REVISIONS | | | | | |
|-----|------|-----------|-----|-------------|-----------|-----|------|
| GP | 00 | P | LTR | DESCRIPTION | DATE | DWN | APVD |
| | | | A | RELEASED | 27SEP2010 | RG | DO |

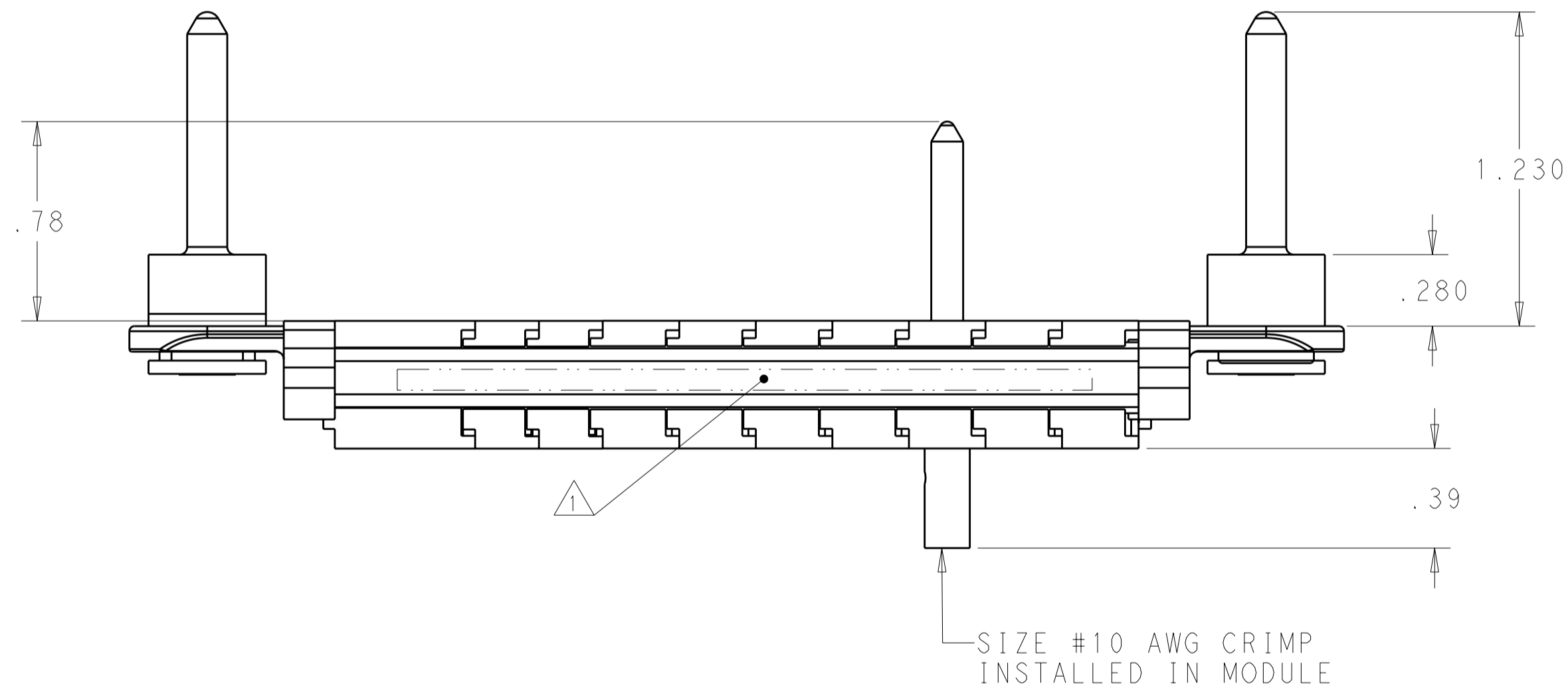


△ ITEMS PROVIDED TO THIS SPECIFICATION TO BE PERMANENTLY IDENTIFIED PER THE FOLLOWING IDENTIFIER:

YEAR 1 WEEK 1
 TYCO ELECTRONICS P/N DATE CODE (e.g. 0212)
 XXXXXXXX-X XXXX

- △ 2 MODULES NOTED ARE FOR CRIMP REMOVABLE STYLE CONTACTS. ITEMS F, G AND H WILL BE PACKAGED AND SHIPPED LOOSE WITH THE CONNECTOR ASSEMBLY.
- △ 3 MOUNTING FLANGE BUSHING ACCEPTS 6/32 SCREW (.156 DIA. CLEARANCE HOLE, FLOAT MOUNT) OR 8/32 SCREW (.173 DIA. CLEARANCE HOLE, FIXED MOUNT), USER SUPPLIED.

4. CONNECTOR MATES WITH P/N 2085583-1



| | | | |
|----|-----------|----------------------------------|----------|
| 20 | 1650155-1 | PIN CONTACTS, CRIMP, SIZE No. 20 | H |
| 10 | 1766194-1 | PIN CONTACTS, CRIMP, SIZE No. 16 | G |
| 18 | 1766193-1 | PIN CONTACTS, CRIMP, SIZE No. 12 | F |
| 1 | 6648508-1 | MODULE "K" | E |
| 2 | 1648464-1 | MODULE "D" | D |
| 1 | 1648463-1 | MODULE "C" | C |
| 6 | 1648461-1 | MODULE "A" | B |
| 2 | 6648251-1 | END CAP | A |
| -1 | PART NO. | DESCRIPTION | ITEM NO. |

| | | | |
|---|---|--|--|
| THIS DRAWING IS A CONTROLLED DOCUMENT FOR TYCO ELECTRONICS CORPORATION. IT IS SUBJECT TO CHANGE AND THE CONTROLLING ENGINEERING ORGANIZATION SHOULD BE CONTACTED FOR THE LATEST REVISION. | | DWN R. GRZYBOWSKI 23SEP2010 CHK D. ORRIS 23SEP2010 APVD D. ORRIS 23SEP2010 | Tyco Electronics Corporation Harrisburg, PA 17105-3608 |
| DIMENSIONS: INCHES | TOLERANCES UNLESS OTHERWISE SPECIFIED: 0 PLC ± 1 PLC ±.01 2 PLC ±.01 3 PLC ±.010 4 PLC ± ANGLES ± FINISH | PRODUCT SPEC - APPLICATION SPEC - WEIGHT - | NAME: PIN CONNECTOR DOMINO WITH PANEL CUT-OUT SIZE: A200779 CAGE CODE: C-2085582 DRAWING NO: 2085582 |
| MATERIAL: - | | SCALE: 2:1 SHEET 1 OF 2 REV A CUSTOMER DRAWING | |

4

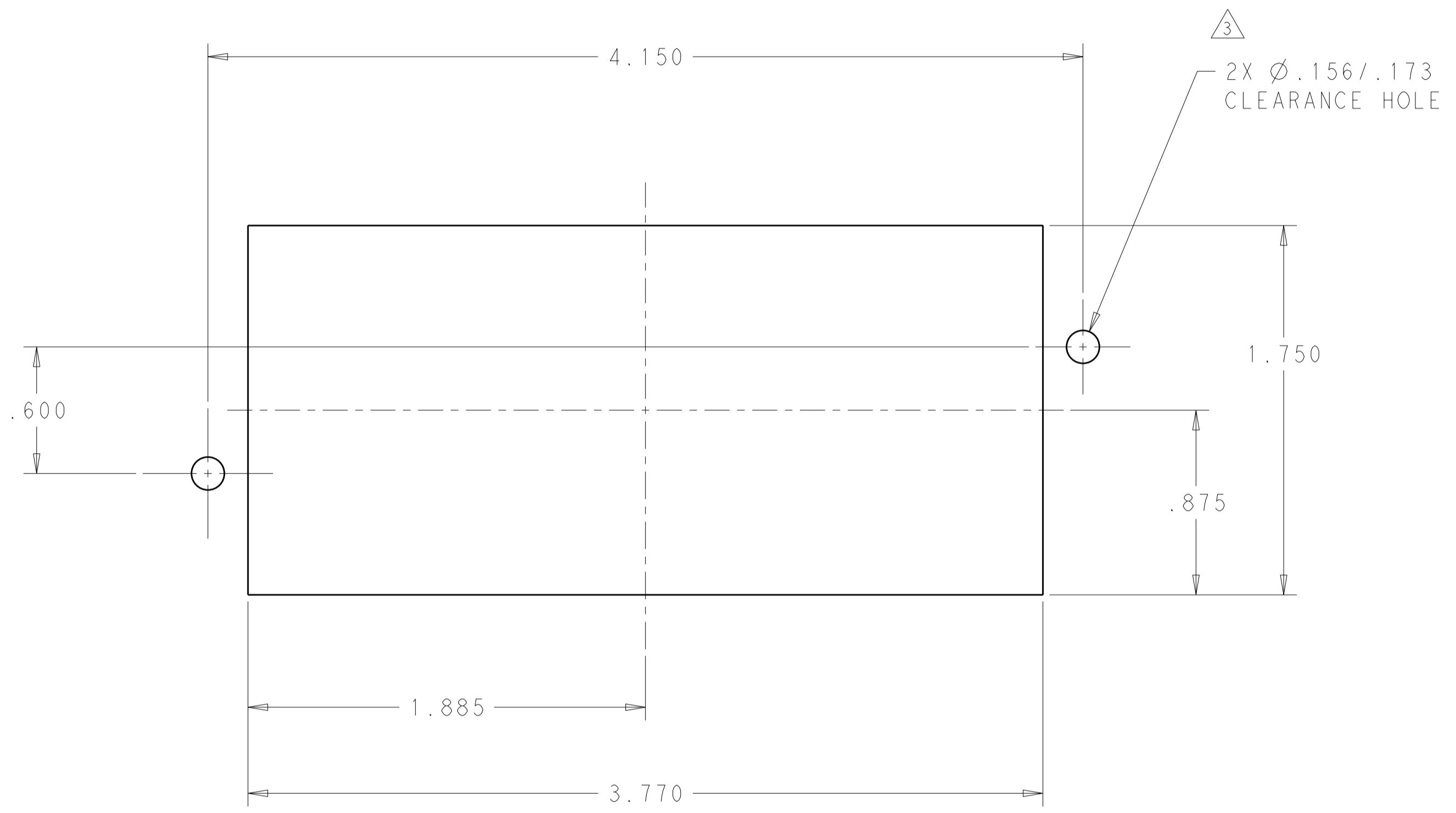
3

2

1

THIS DRAWING IS UNPUBLISHED. RELEASED FOR PUBLICATION 20
 © COPYRIGHT 20 BY TYCO ELECTRONICS CORPORATION. ALL INTERNATIONAL RIGHTS RESERVED.

| LOC | DIST | REVISIONS | | | |
|-----|------|-------------|-------------|-----|------|
| P | LTR | DESCRIPTION | DATE | DWN | APVD |
| GP | 00 | - | SEE SHEET 1 | - | - |
| | | | | | |
| | | | | | |



PANEL MOUNT CUT-OUT

| | | | | |
|---|--|-----------------------------------|---|--------------------------|
| THIS DRAWING IS A CONTROLLED DOCUMENT FOR TYCO ELECTRONICS CORPORATION. IT IS SUBJECT TO CHANGE AND THE CONTROLLING ENGINEERING ORGANIZATION SHOULD BE CONTACTED FOR THE LATEST REVISION. | | DWN R. GRZYBOWSKI 23SEP2010 | Tyco Electronics Corporation Harrisburg, PA 17105-3608 | |
| DIMENSIONS: INCHES | | CHK D. ORRIS 23SEP2010 | NAME PIN CONNECTOR DOMINO WITH PANEL CUT-OUT | |
| TOLERANCES UNLESS OTHERWISE SPECIFIED: 0 PLC ± 1 PLC ± 2 PLC ±.01 3 PLC ±.010 4 PLC ± ANGLES ± FINISH | | APVD D. ORRIS 23SEP2010 | RESTRICTED TO | |
| MATERIAL | | PRODUCT SPEC - | SIZE A200779 | DRAWING NO. C-2085582 |
| | | APPLICATION SPEC - | SCALE 2:1 | SHEET 2 OF 2 |
| | | WEIGHT - | REV A | |
| | | CUSTOMER DRAWING | | |

单击下面可查看定价，库存，交付和生命周期等信息

[>>TE Connectivity\(泰科\)](#)