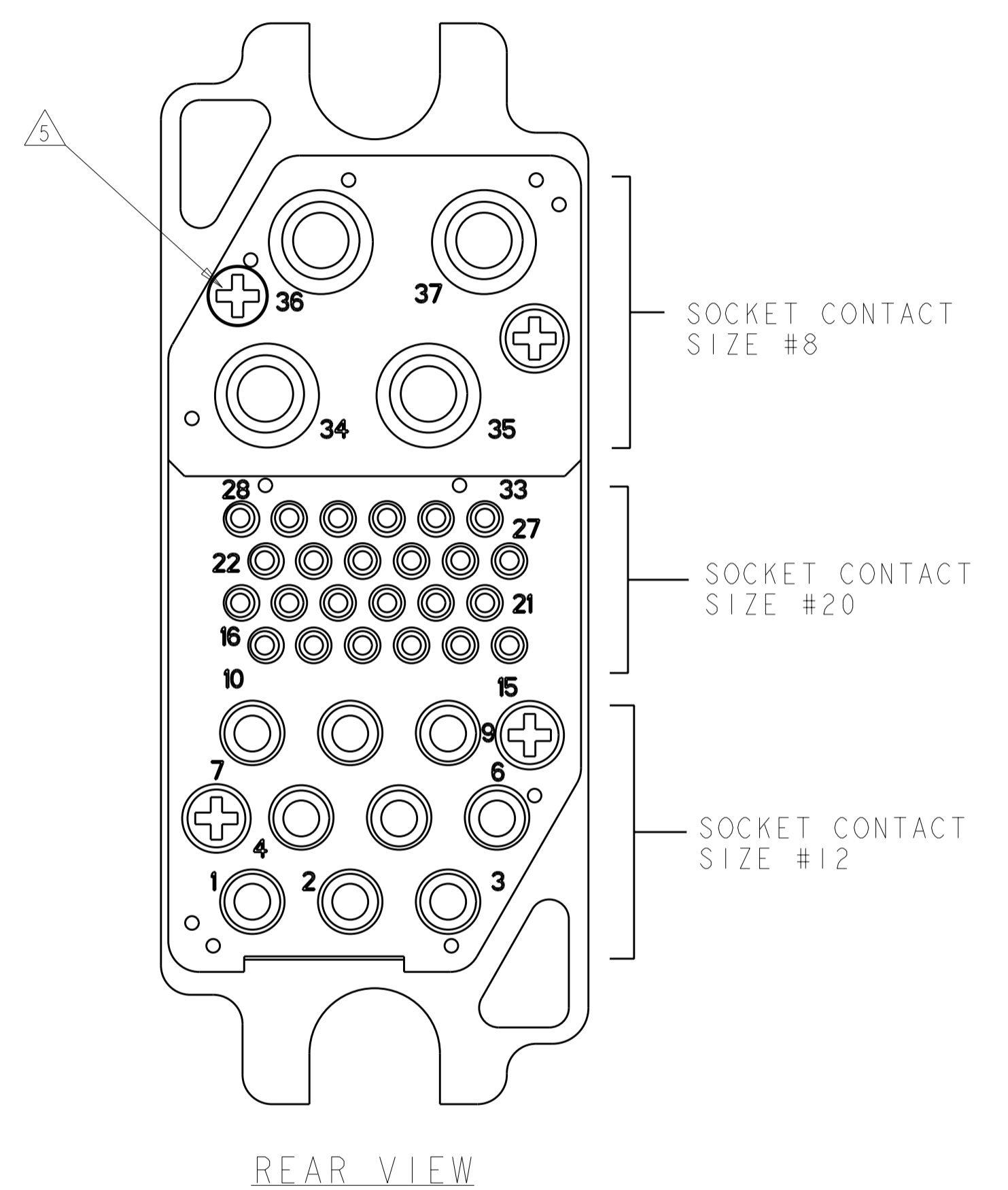
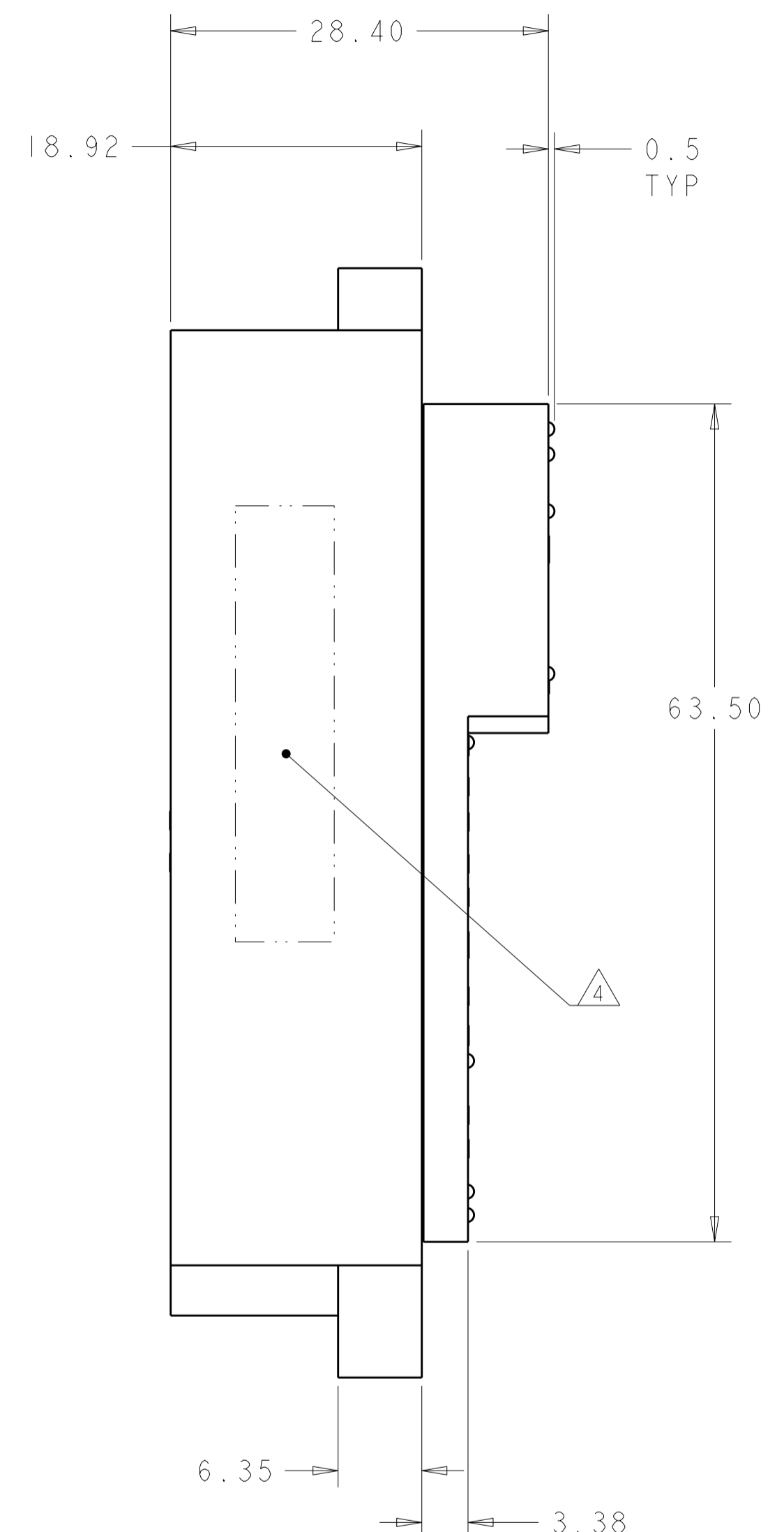
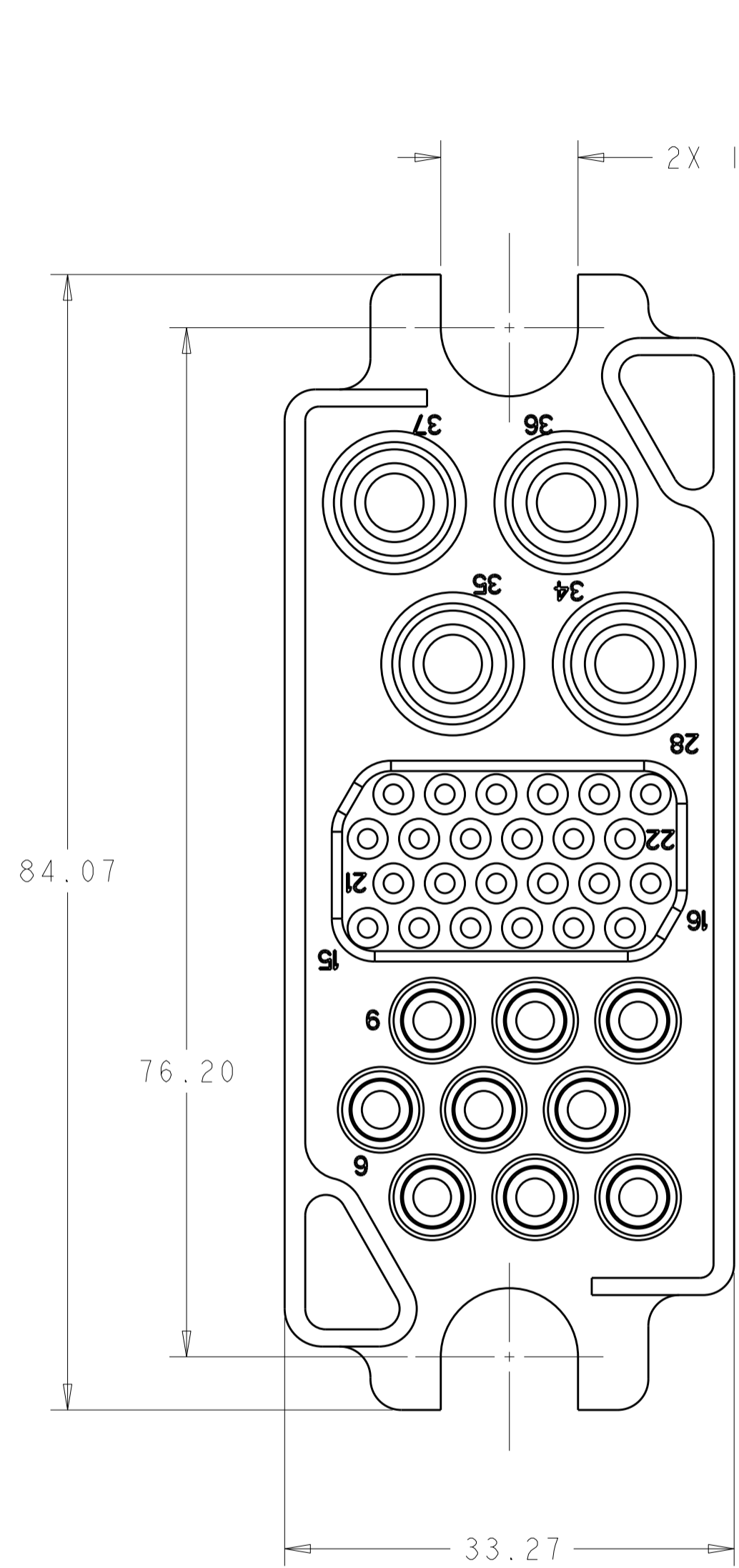


THIS DRAWING IS UNPUBLISHED. RELEASED FOR PUBLICATION 20
 © COPYRIGHT 20 BY TYCO ELECTRONICS CORPORATION. ALL RIGHTS RESERVED.

LOC		DIST		REVISIONS			
P	LTR	DESCRIPTION	DATE	DWN	APVD		
GP	00						
	C	REV PER ECO-09-008289	06APR2009	RG	DO		



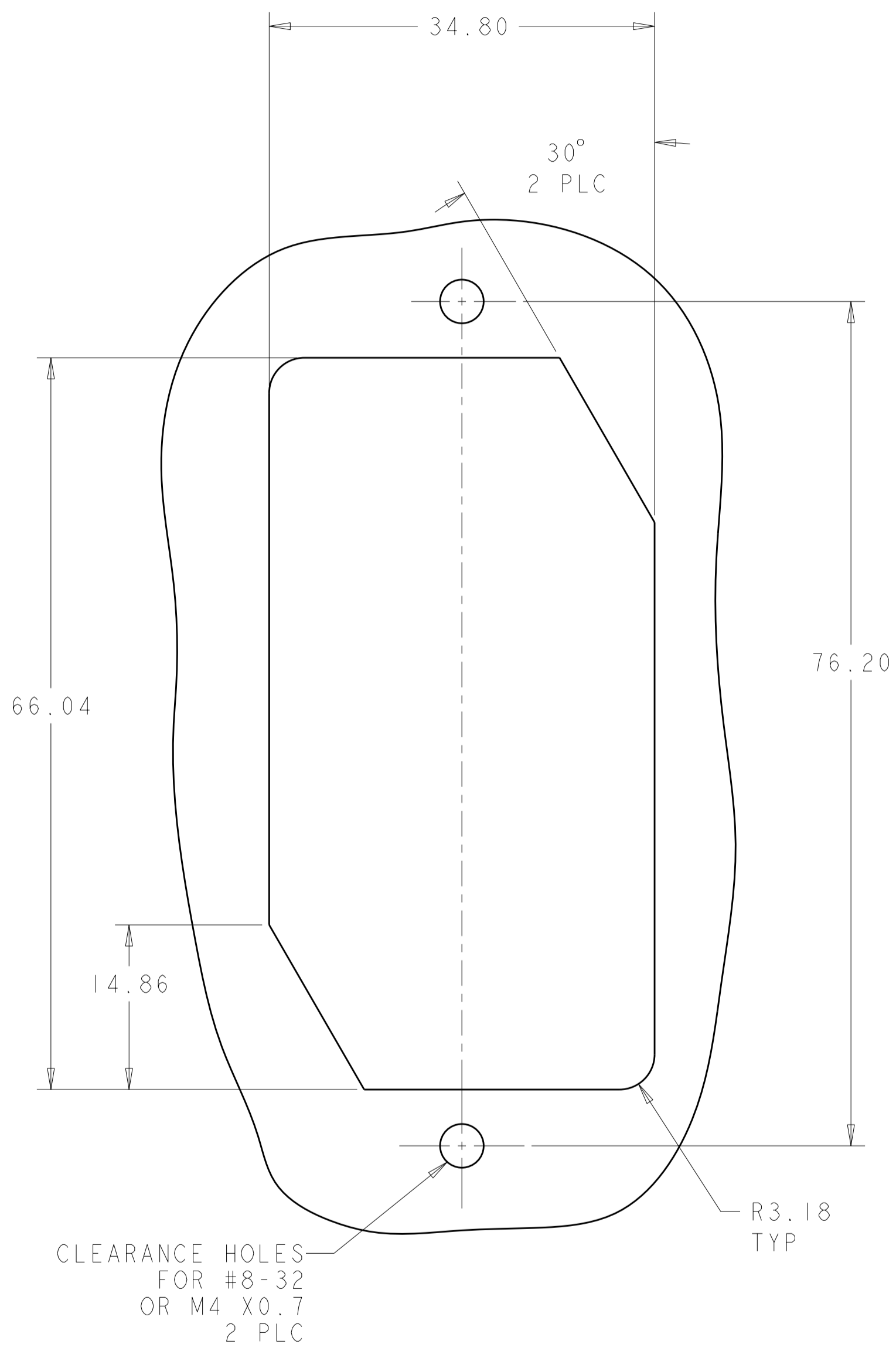
AS SHOWN	6651463-1
DESCRIPTION	PART NUMBER

THIS DRAWING IS A CONTROLLED DOCUMENT FOR TYCO ELECTRONICS CORPORATION. IT IS SUBJECT TO CHANGE AND THE CONTROLLING ENGINEERING ORGANIZATION SHOULD BE CONTACTED FOR THE LATEST REVISION.		DWN R. GRZYBOWSKI 10OCT06	Tyco Electronics Harrisburg, PA 17105-3608
DIMENSIONS: MM		CHK S. FLICKINGER 10OCT06	
TOLERANCES UNLESS OTHERWISE SPECIFIED:		APVD S. FLICKINGER 10OCT06	
0 PLC ± 1 PLC ± 2 PLC ±.02 3 PLC ±.010 4 PLC ± ANGLES ±.5 FINISH		PRODUCT SPEC	
MATERIAL		APPLICATION SPEC	NAME SOCKET HOUSING W/ SCREW MOUNT 75 AMP, MIDDLE DRAWER
		WEIGHT	SIZE A2 CAGE CODE 00779 DRAWING NO. C-6651463 RESTRICTED TO
		CUSTOMER DRAWING	SCALE 3:1 SHEET 1 OF 2 REV C

ELCON 75A DRAWER

THIS DRAWING IS UNPUBLISHED. RELEASED FOR PUBLICATION 20
 © COPYRIGHT 20 BY TYCO ELECTRONICS CORPORATION. ALL RIGHTS RESERVED.

LOC	DIST	REVISIONS					
GP	00	P	LTR	DESCRIPTION	DATE	DWN	APVD
		-		SEE SHEET 1			



1. PART NUMBER CHANGES AND OR DESIGN CHANGES AFFECTING THE INTERCHANGEABILITY REQUIRE PRIOR TYCO APPROVAL AND AUTHORIZATION BY REVISION TO THIS DRAWING.

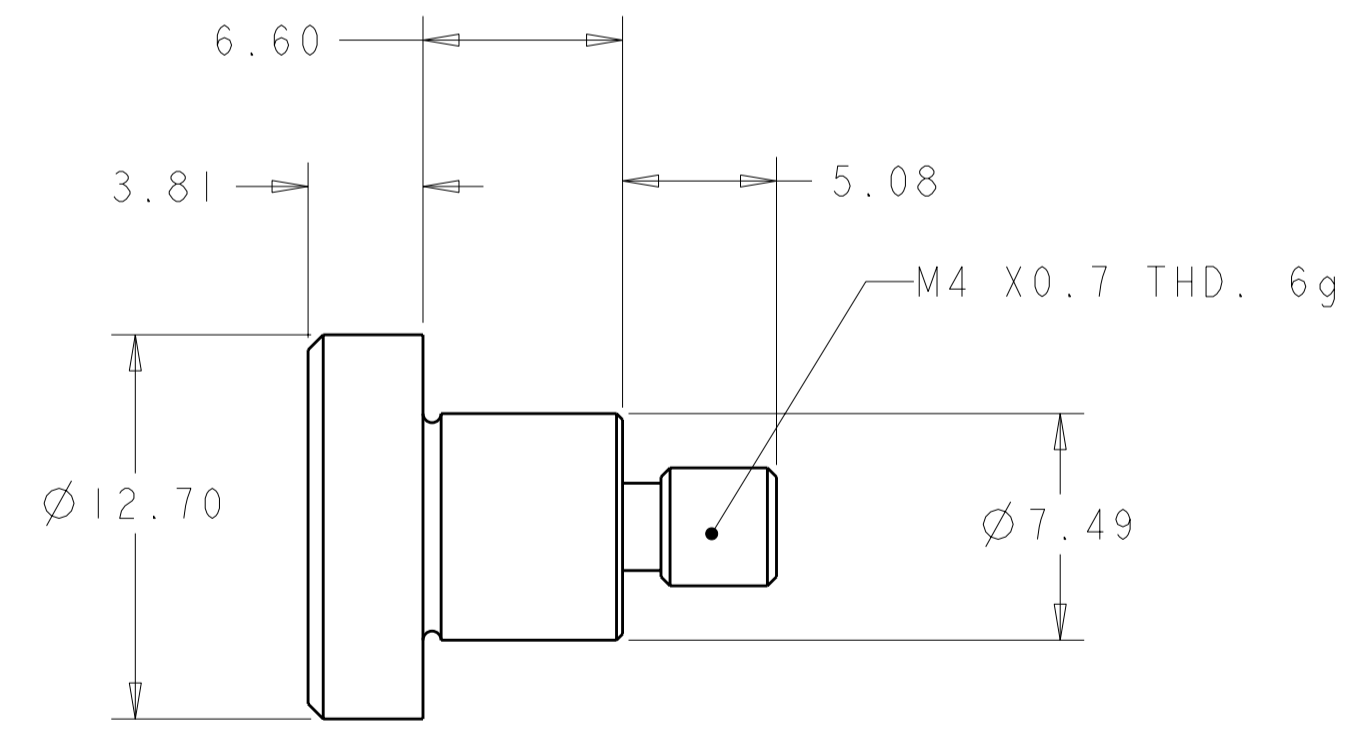
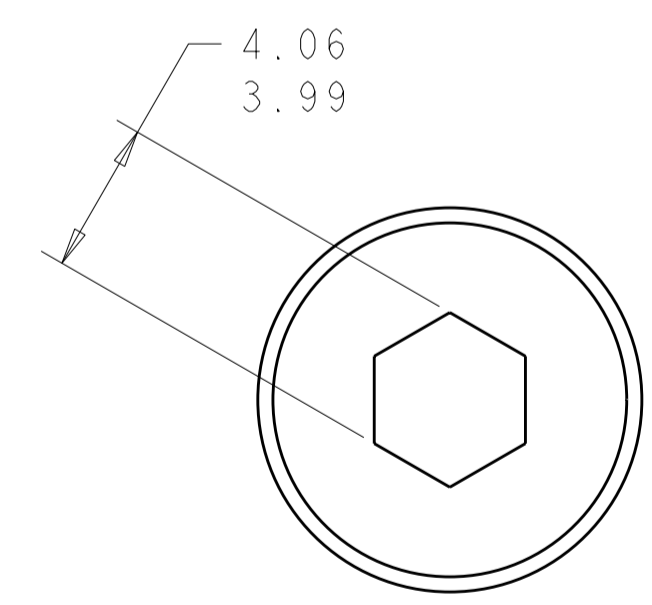
2. MATERIAL:
 INSULATOR: THERMOPLASTIC, GLASS REINFORCED, FLAMMABILITY RATED, COLOR: BLACK
 RETENTION CLIP: BERYLLIUM COPPER OR STAINLESS STEEL

3. RECOMMENDED MOUNTING HARDWARE SHOWN FOR REFERENCE ONLY. PARTS TO BE ORDERED SEPERATELY.
 SHOULDER SCREW, #8-32: 1650402-1
 SHOULDER SCREW, M4 X 0.7: 1650589-1

4. ITEMS PROVIDED TO THIS SPECIFICATION TO BE PERMANENTLY IDENTIFIED PER THE FOLLOWING IDENTIFIER:

YEAR 1 WEEK 1
 TYCO PART NUMBER XXXXXXXX-X DATE CODE (e.g. 0216) XXXX

5. REMOVAL OF SCREWS HOLDING THE ASSEMBLY TOGETHER AND SUBSEQUENT RE-ASSEMBLE WILL DEGRADE THE PLASTIC HOUSING AND GREATLY REDUCE THE BURST STRENGTH OF THE CONNECTOR.



SHOULDER SCREW - FLOAT MOUNT 3
 SCALE 4:1

SUGGESTED PANEL CUTOUT
 AS VIEWED FROM CONNECTOR MOUNTING SIDE

ELCON 75A DRAWER

<small>THIS DRAWING IS A CONTROLLED DOCUMENT FOR TYCO ELECTRONICS CORPORATION. IT IS SUBJECT TO CHANGE AND THE CONTROLLING ENGINEERING ORGANIZATION SHOULD BE CONTACTED FOR THE LATEST REVISION.</small>		DWN R.GRZYBOWSKI 10OCT06 CHK S.FLICKINGER 10OCT06 APVD S.FLICKINGER 10OCT06	tyco Electronics Tyco Electronics Harrisburg, PA 17105-3608
DIMENSIONS: MM 	TOLERANCES UNLESS OTHERWISE SPECIFIED: 0 PLC ± 1 PLC ±.02 2 PLC ±.02 3 PLC ±.010 4 PLC ± ANGLES ±.5 FINISH	PRODUCT SPEC APPLICATION SPEC WEIGHT	NAME SOCKET HOUSING W/ SCREW MOUNT 75 AMP, MIDDLE DRAWER SIZE CAGE CODE DRAWING NO A200779 C-6651463 RESTRICTED TO
MATERIAL		CUSTOMER DRAWING	SCALE 3:1 SHEET 2 OF 2 REV C

单击下面可查看定价，库存，交付和生命周期等信息

[>>TE Connectivity\(泰科\)](#)