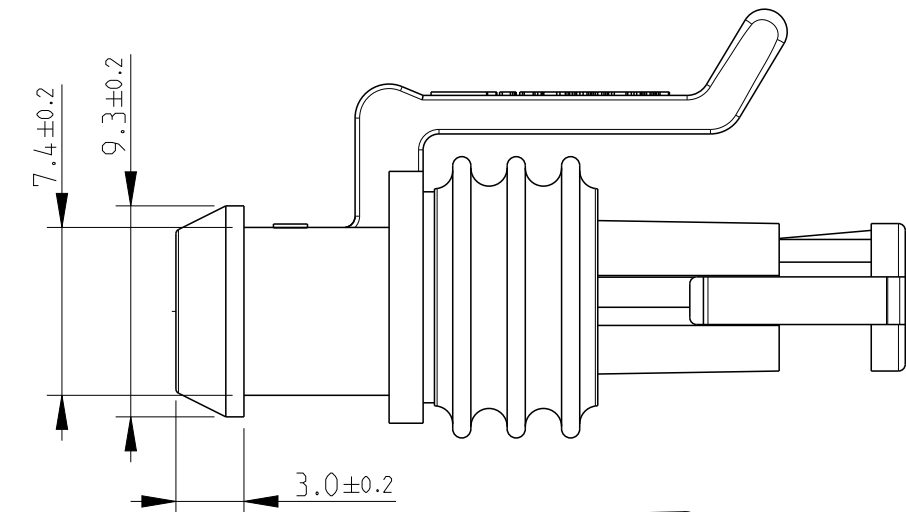
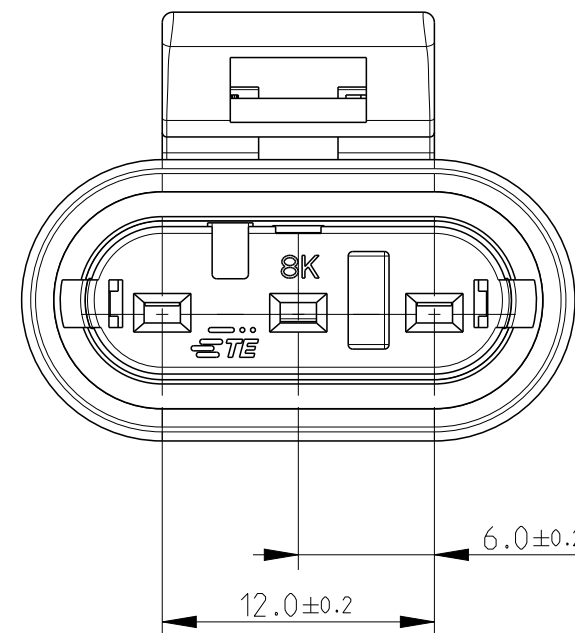
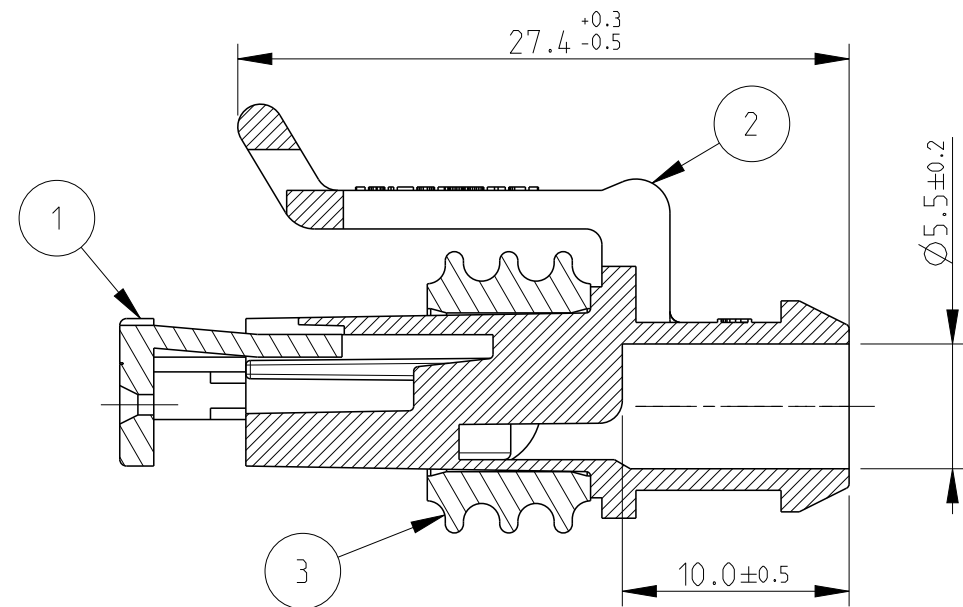


THIS DRAWING IS UNPUBLISHED. RELEASED FOR PUBLICATION 20
 © COPYRIGHT 20 BY - ALL RIGHTS RESERVED.

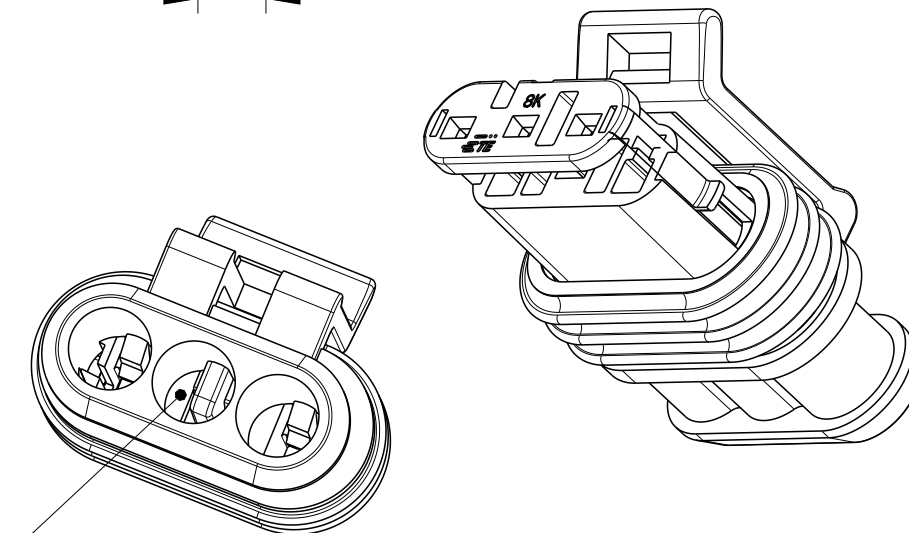
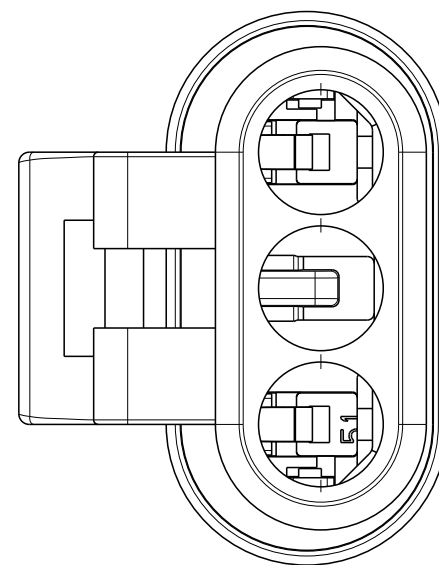
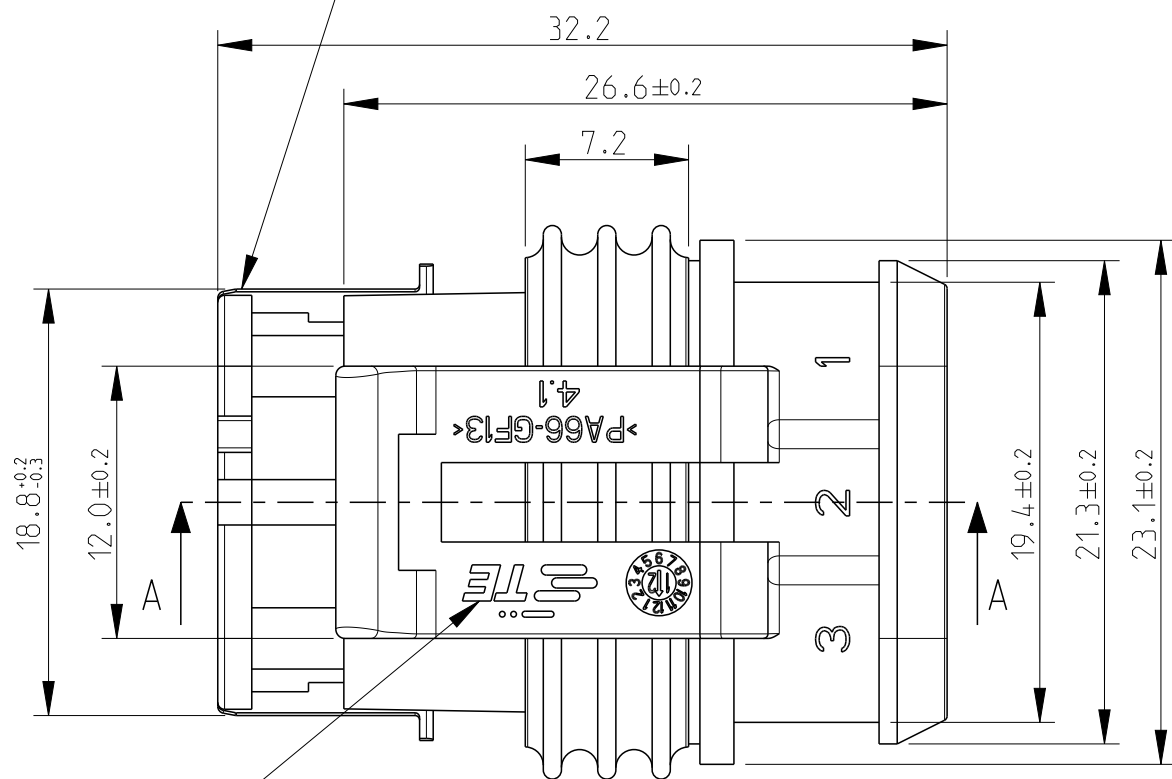
REVISIONS

P	LTR	DESCRIPTION	DATE	DWN	APVD
	A2	REDRAWN (ECR-14-006262)	14MAY2014	M.G.	M.G.
	B	ECR-14-009314	24MAR2015	M.P.	M.G.
	B1	REVISED PER ECO-17-001706	10FEB2017	C.A.	M.G.

SECTION A-A



PRE-ASSEMBLED SECONDARY LOCK (RED COLOR)



CENTRAL CAVITY COMPLETELY PLUGGED

COLOR	MATERIAL	DESCRIPTION	ITEM NR.	PART NUMBER
YELLOW	SILICONE RUBBER	SEALING	3	284073-1
BLACK	PA66-GF	HOUSING	2	
RED	PA66-GF	SEC. LOCK	1	

TE CONNECTIVITY TRADE MARK (IN ALTERNATIVE: "AMP" LOGO OR "Tyco Electronics" LOGO)

1) FOR COUNTERPART DETAILS SEE SHEET 2 OF 2

THIS DRAWING IS A CONTROLLED DOCUMENT.		DWN M.GHISOLFI 07APR2014	TE Connectivity	
DIMENSIONS: mm		CHK M.GURLINO 08APR2014		
TOLERANCES UNLESS OTHERWISE SPECIFIED:		APVD M.GURLINO 08APR2014		
0 PLC ± 1 PLC ±0.3 2 PLC ± 3 PLC ± 4 PLC ± ANGLES ±2°		PRODUCT SPEC 108-20090		
MATERIAL SEE TABLE (VEDI TABELLA)		FINISH SEE TABLE (VEDI TABELLA)	APPLICATION SPEC 412-20000	NAME AMP SUPERSEAL 1,5 SRS. 3 POS. PLUG CONN. WITH CLOSED MIDDLE CAVITY
Customer Drawing		WEIGHT -	SIZE A3	CAGE CODE -
			DRAWING NO C-284073	RESTRICTED TO -
			SCALE 3:1	SHEET 1 OF 2
				REV B1

单击下面可查看定价，库存，交付和生命周期等信息

[>>TE Connectivity\(泰科\)](#)