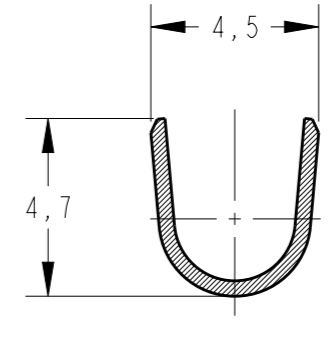
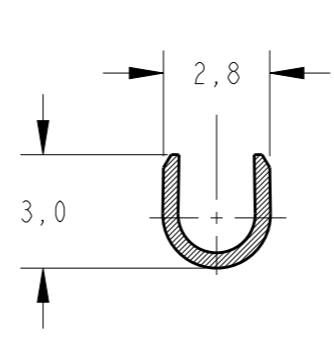
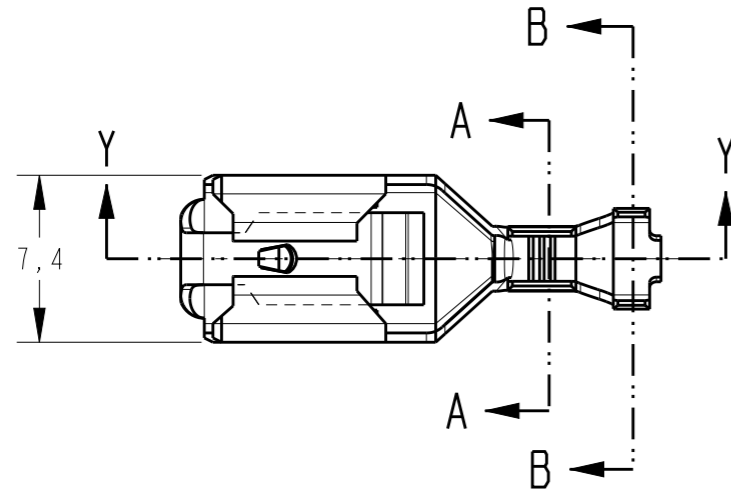


THIS DRAWING IS UNPUBLISHED. RELEASED FOR PUBLICATION 2012
 © COPYRIGHT 2012 BY TE CONNECTIVITY ALL RIGHTS RESERVED.

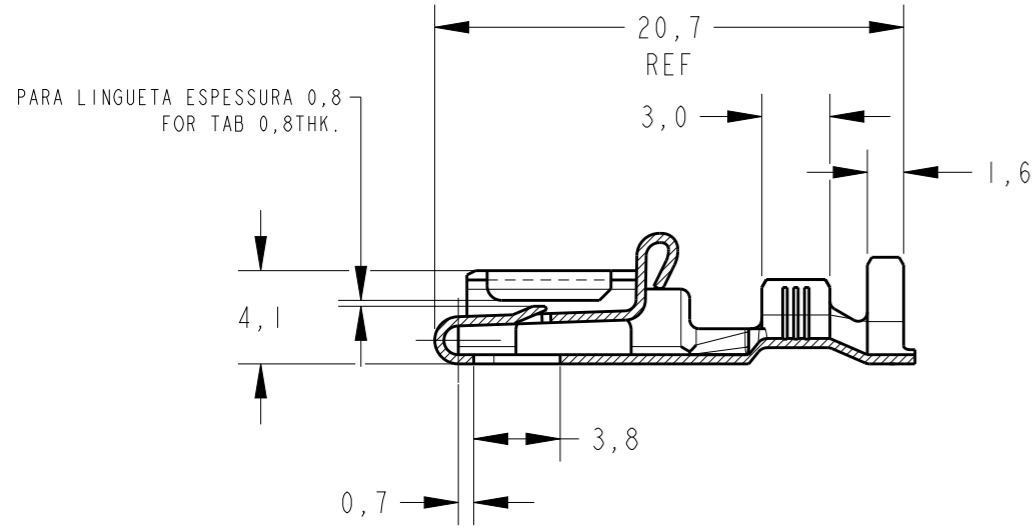
LOC	DIST	REVISIONS			
P	LTR	DESCRIPTION	DATE	DWN	APVD
AP	-				
	D	REDRAW BY CAD ECO-14-08818	22SEP2014	NCL	LWP
	DI	REVISED BY ECO 16-003723	29JUN2016	HC	WLS

creo
 Creo Parametric 2.0
DO NOT REVISE EXCEPT BY CAD



SECTION A-A
SCALE 5:1

SECTION B-B
SCALE 5:1




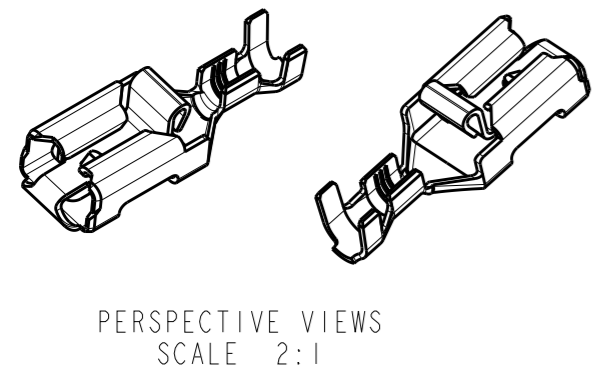
SECTION Y-Y

OBSOLETE	PRÉ ESTANHADO/PRE TIN	BRONZE FOSF./PHOSP BRONZE	880646 -6
OBSOLETE	PRÉ ESTANHADO/PRE TIN	LATÃO / BRASS	880646 -5
OBSOLETE	ESTANHADO/TIN PLATED	BRONZE FOSF./PHOSP BRONZE	880646 -4
OBSOLETE	ESTANHADO/TIN PLATED	LATÃO / BRASS	880646 -3
		BRONZE FOSF./PHOSP BRONZE	880646 -2
		LATÃO / BRASS	880646 -1
	FINISH	MATERIAL	PART NUMBER

INS. RANGE	WIRE RANGE
∅ 2,0-3,30mm	0,5-1,0mm ²

THIS DRAWING IS A CONTROLLED DOCUMENT.

DWN NCLAPRESA 16 JUL 2012	 TE Connectivity NAME - TERMINAL POSITIVE LOCK RECEPT			
CHK JRGOLDSCHMIDT 16 JUL 2012				
APVD DAOLIVEIRA 16 JUL 2012				
PRODUCT SPEC -				
APPLICATION SPEC -	SIZE A3	CAGE CODE 00779	DRAWING NO C-880646	RESTRICTED TO -
MATERIAL SEE TABLE	FINISH SEE TABLE	WEIGHT -	Customer Drawing	SCALE - SHEET 1 OF 1 REV DI



单击下面可查看定价，库存，交付和生命周期等信息

[>>TE Connectivity\(泰科\)](#)