


REVISIONS				
REV.	DESCRIPTION		DATE	APPROVED
A	INITIAL RELEASE	NPR 8471	90-7-11	<i>Munch</i>
B	REV'D P1 & P3	ECO 8530	90-11-2	<i>Munch</i>
C	REV'D P1 & P3	ECO 9003	93-6-1	<i>Re</i>
D	REV'D P1, P2 & P6	NPR 9074	93-8-16	<i>Re</i>

SALES DRAWING


REV. STATUS OF SHEETS							P.O. BOX 4422 Santa Barbara, CA 93140-4422		
REV.	D	B	C	A	A		<b>TITLE</b> HIGH VOLTAGE VACUUM RELAY, LATCHING		
SHEET	1	2	3	4	5				
REV.	A					<b>DWG. NO.</b> K40P SERIES			
SHEET	6								
PRED. BY		TANNER		90-07-10		<b>FSCM NO.</b> 18741			
CHKD. BY		<i>Munch</i>		9-7-11					<b>SHEET</b> 1 OF 6
ENG. APRVL.		<i>Kohlman</i>		7/10/93					

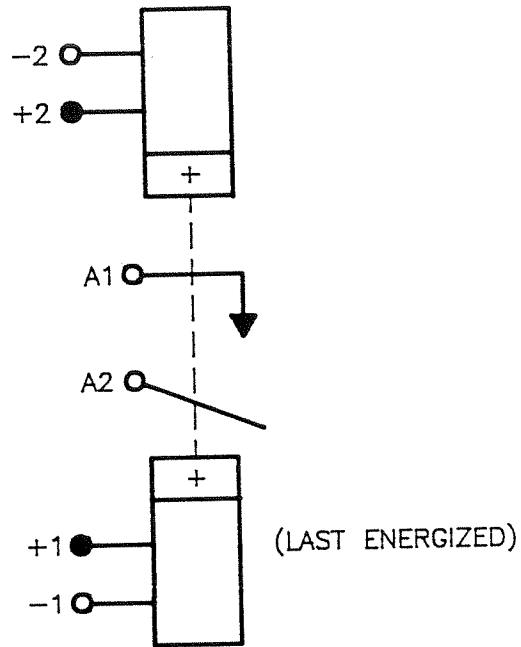
**SPECIFICATIONS:**

CONTACT ARRANGEMENT.....	SPST
FORM.....	LATCHING
TEST VOLTAGE (dc OR 60 Hz, kV PEAK).....	6
RATED OPERATING VOLTAGE (kV PEAK)	
dc OR 60 Hz.....	5
2.5 MHz.....	4.5
16 MHz.....	3.5
32 MHz.....	2.8
CONTINUOUS CURRENT CARRY, MAX. (A RMS)	
dc OR 60 Hz.....	35
2.5 MHz.....	25
16 MHz.....	14
32 MHz.....	8
COIL HI-POT (V RMS, 60 Hz).....	500
CONTACT CAPACITANCE (pF)	
BETWEEN OPEN CONTACTS.....	1.2
OPEN CONTACTS TO GROUND.....	1.2
CONTACT RESISTANCE, MAX. (OHMS).....	0.020
OPERATE TIME, MAX. (ms).....	1
SHOCK, 11 ms 1/2 SINE (PEAK G's).....	50
VIBRATION, 30 G's PEAK (Hz).....	55-2000
OPERATING TEMPERATURE RANGE (°C).....	-55 TO +125
MECHANICAL LIFE (OPERATIONS X 10 <sup>6</sup> ).....	40
WEIGHT, MAXIMUM (oz).....	1

RELAY PART NUMBER				
Outline Per FIG. 1 →		K40P334		
Outline Per FIG. 2 →		K40P332		
Outline Per FIG. 3 →		K40P364		
COIL VOLTAGE, NOMINAL		26.5*		
PICK-UP VOLTAGE, MAX. Vdc)		16		
COIL RESISTANCE (OHMS ±10%)		80		

**NOTES:** RATINGS LISTED ARE FOR 25°C SEA LEVEL CONDITIONS.  
 RELAY FLANGE MUST BE GROUNDED.  
 \*NOT FOR CONTINUOUS DUTY.  
 1ms MINIMUM ENERGIZATION TIME.  
 1s MAXIMUM ENERGIZATION TIME  
 10% MAXIMUM DUTY CYCLE

DIMENSIONS IN INCHES (DIMENSIONS IN PARENTHESES ARE IN MILLIMETERS) TOLERANCES EXCEPT AS NOTED .xx = ± .03 .xxx = ± .010 <del>∠</del> x° = ± 2° DO NOT SCALE DWG.			P.O. BOX 4422 Santa Barbara, CA 93140-4422	
	K40P SERIES			
	CAGE CODE	SCALE	SHEET	
18741	NONE	2		



SCHEMATIC

DIMENSIONS IN INCHES  
(DIMENSIONS IN PARENTHESES ARE IN  
MILLIMETERS)

TOLERANCES EXCEPT AS NOTED

.xx = ± .03

.xxx = ± .010

$\angle$  x° = ± 2°

DO NOT SCALE DWG.

**Kilovac**<sup>®</sup>  
Corporation

P.O. BOX 4422  
Santa Barbara, CA 93140-4422

**K40P SERIES**

CAGE CODE  
18741

SCALE  
NONE

SHEET  
3

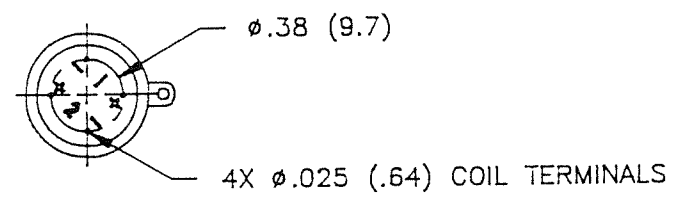
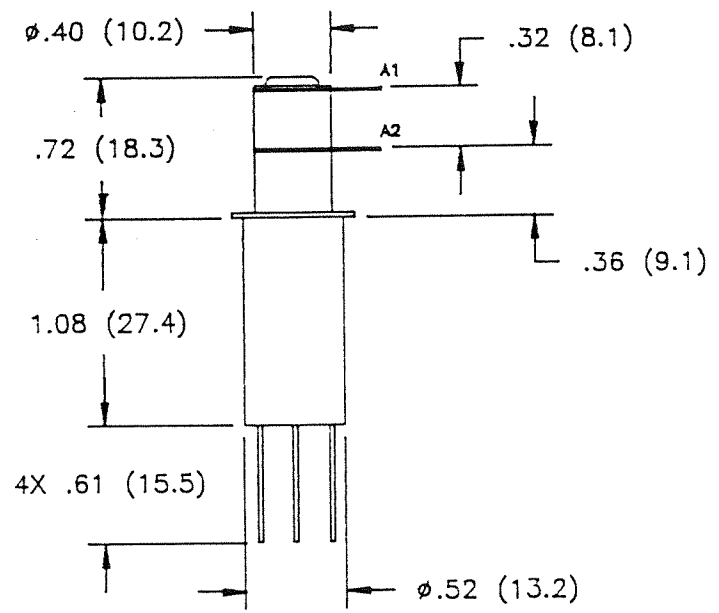
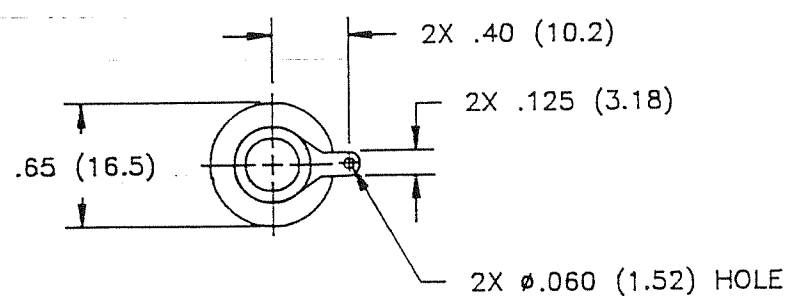


Fig. 1 OUTLINE FOR P/N K40P334

<p>DIMENSIONS IN INCHES (DIMENSIONS IN PARENTHESES ARE IN MILLIMETERS)</p> <p>TOLERANCES EXCEPT AS NOTED</p> <p>.XX = ± .03 .XXX = ± .010 X° = ± 2°</p> <p>DO NOT SCALE DWG.</p>			<p>P.O. BOX 4422 Santa Barbara, CA 93140-4422</p>	
	K40P SERIES			
FSCM NO. 18741	SCALE NONE	SHEET 4		

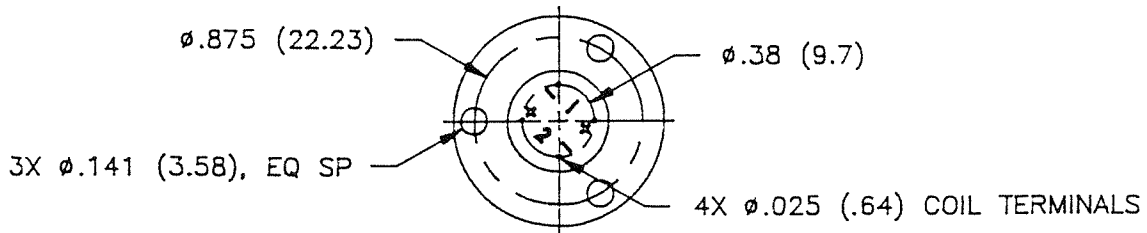
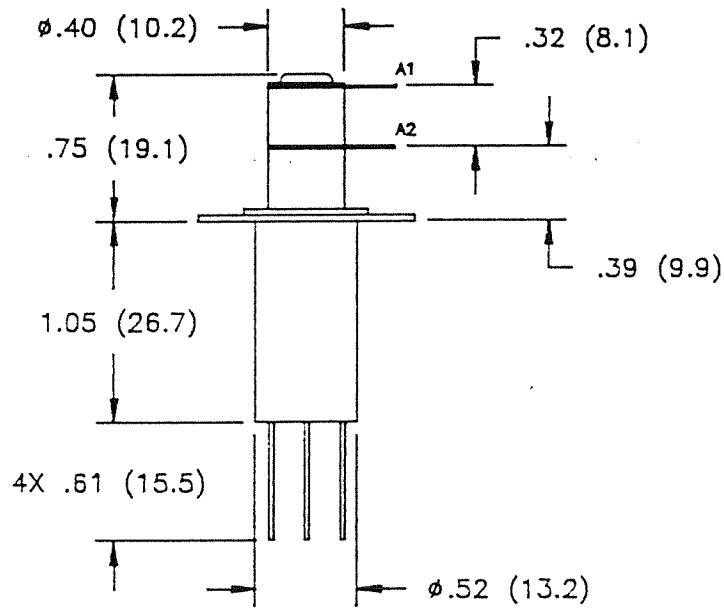
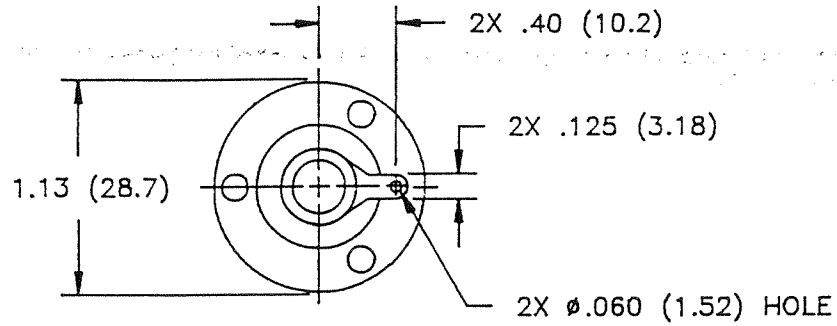


Fig. 2 OUTLINE FOR P/N K40P332

DIMENSIONS IN INCHES  
(DIMENSIONS IN PARENTHESES ARE IN  
MILLIMETERS)

TOLERANCES EXCEPT AS NOTED

.XX = ± .03

.XXX = ± .010

$\frac{X}{\phi}$  X° = ± 2°

DO NOT SCALE DWG.

**Kilovac**<sup>®</sup>  
Corporation

P.O. BOX 4422  
Santa Barbara, CA 93140-4422

**K40P SERIES**

FSCM NO.

18741

SCALE

NONE

SHEET

5

REV.  
A

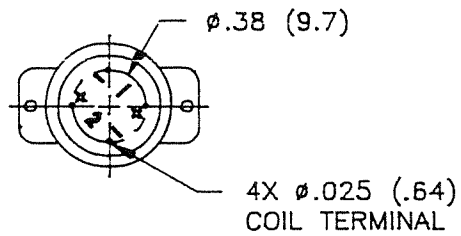
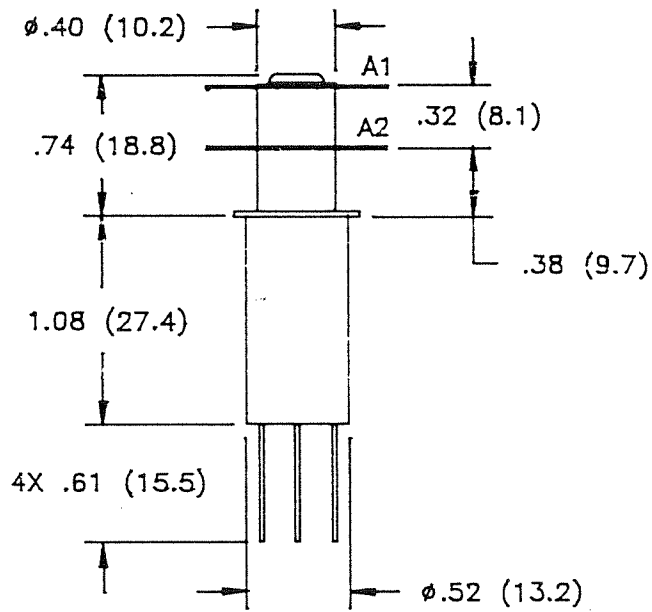
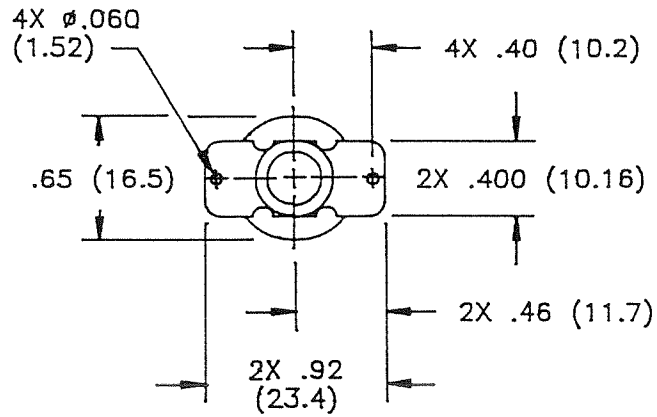


Fig. 3 OUTLINE FOR P/N K40P364

DIMENSIONS IN INCHES  
 (DIMENSIONS IN PARENTHESES ARE IN  
 MILLIMETERS)

TOLERANCES EXCEPT AS NOTED

.xx =  $\pm$  .03

.xxx =  $\pm$  .010

$\angle$  x $^\circ$  =  $\pm$  2 $^\circ$

DO NOT SCALE DWG.

**Kilovac**<sup>®</sup>  
 Corporation

P.O. BOX 4422  
 Santa Barbara, CA 93140-4422

**K40P SERIES**

CAGE CODE  
 18741

SCALE  
 1:1

SHEET  
 6

单击下面可查看定价，库存，交付和生命周期等信息

[>>TE Connectivity\(泰科\)](#)