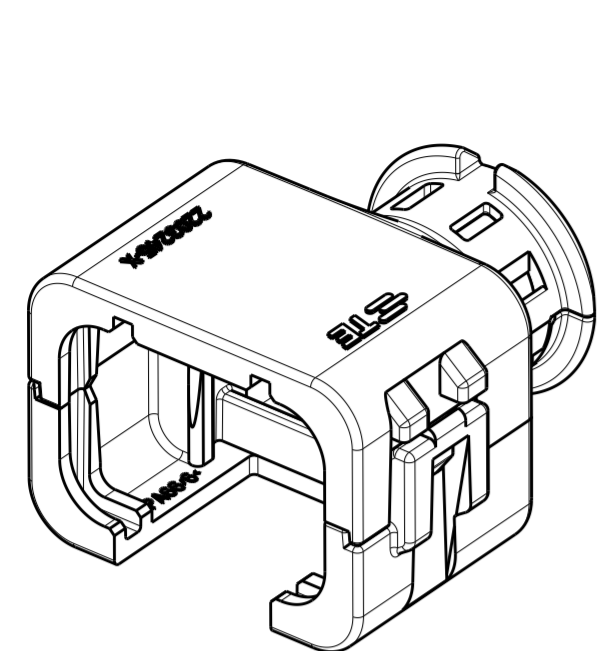
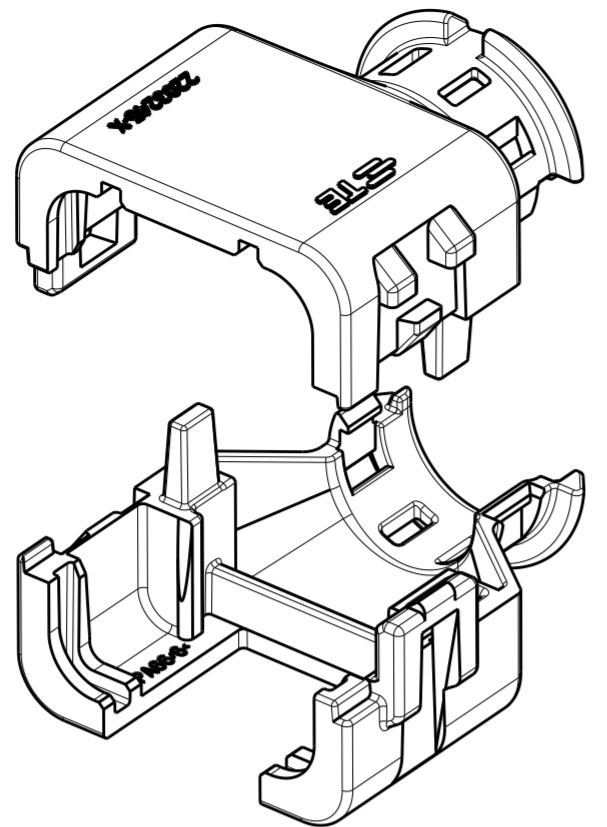


THIS DRAWING IS UNPUBLISHED. RELEASED FOR PUBLICATION 20
 © COPYRIGHT 20 BY - ALL RIGHTS RESERVED.

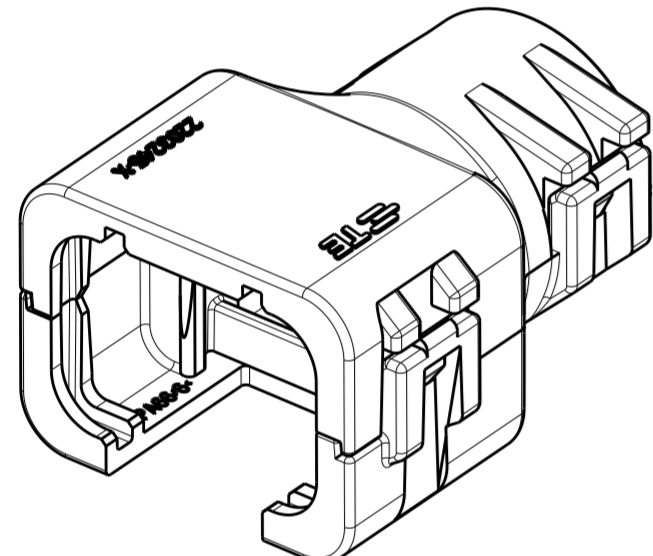
REVISIONS				
P	LTR	DESCRIPTION	DATE	APVD
A		RELEASED PER ECO-15-010501	17JUL2015	JM RB
A1		REV PER ECO-16-008350	02JUN2016	JM RB
A2		REV PER ECO-16-013256	08SEP2016	JM RB



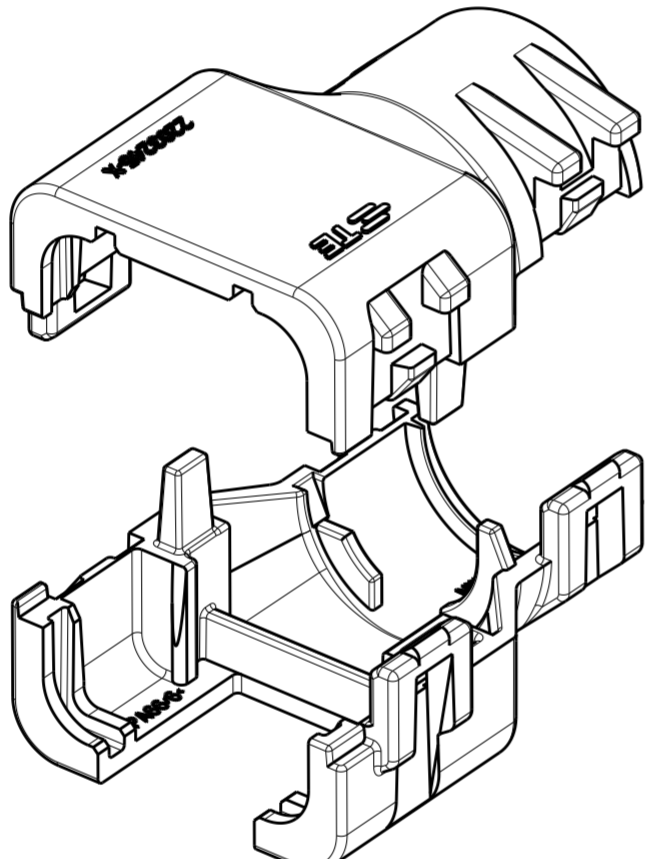
2292799-1
ASSEMBLED ISOMETRIC VIEW SHOWN



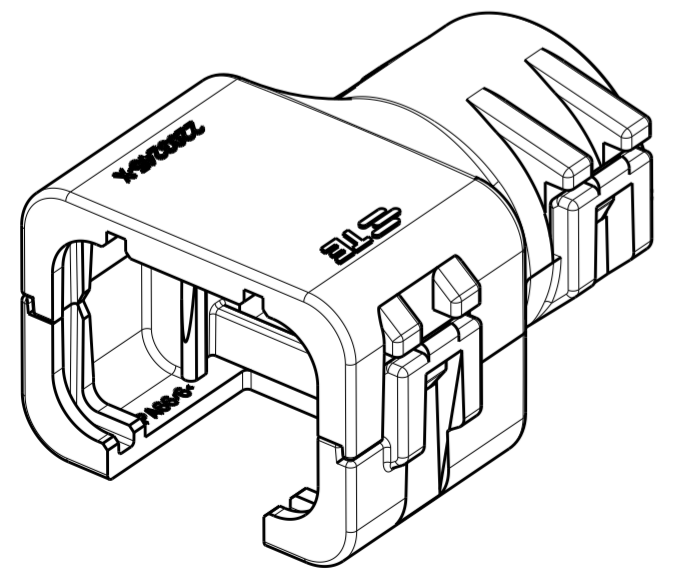
2292799-1
EXPLODED ISOMETRIC VIEW SHOWN



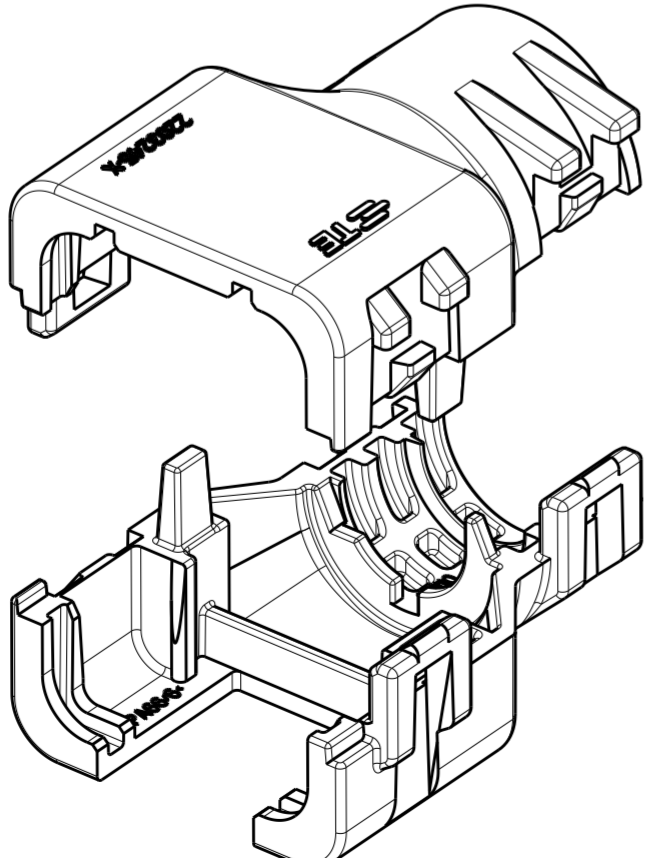
2292799-2
ASSEMBLED ISOMETRIC VIEW SHOWN



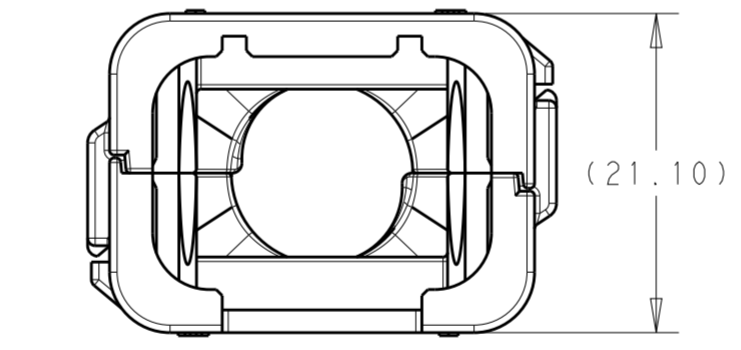
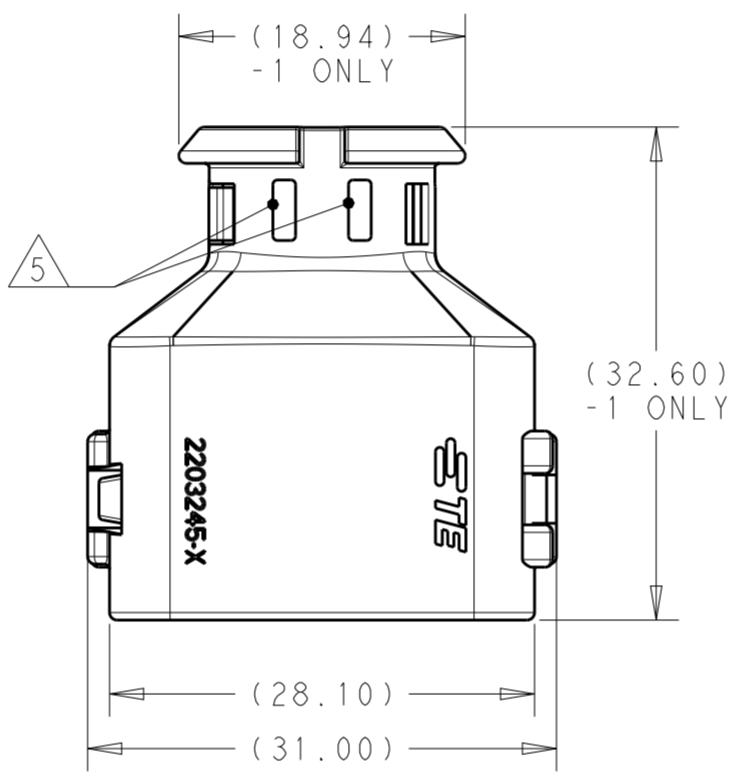
2292799-2
EXPLODED ISOMETRIC VIEW SHOWN



2292799-3
ASSEMBLED ISOMETRIC VIEW SHOWN

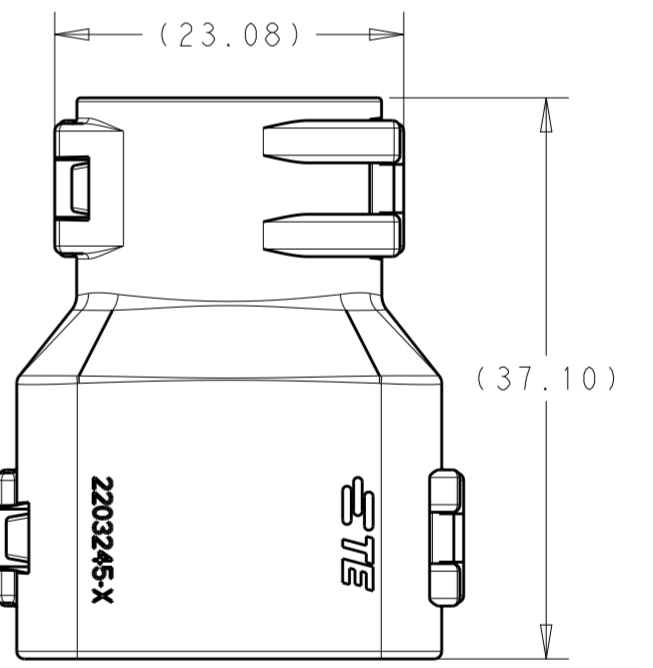
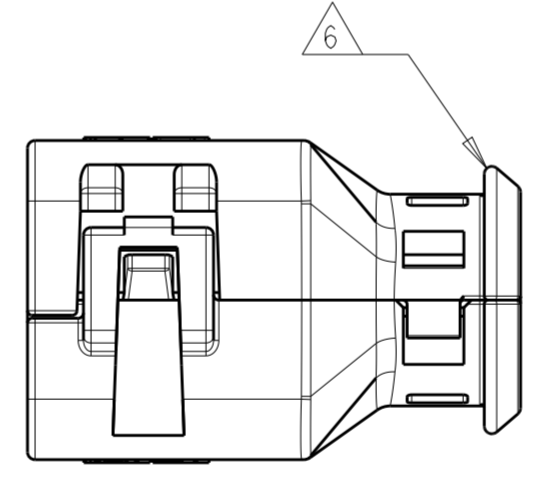


2292799-3
EXPLODED ISOMETRIC VIEW SHOWN



2292799-1
ASSEMBLED VIEW SHOWN

DIMENSIONS SHOWN TYPICAL FOR ALL PART NUMBERS ³ EXCEPT AS NOTED



2292799-2
ASSEMBLED VIEW SHOWN

DIMENSIONS SHOWN TYPICAL FOR -2 AND -3 ONLY ³

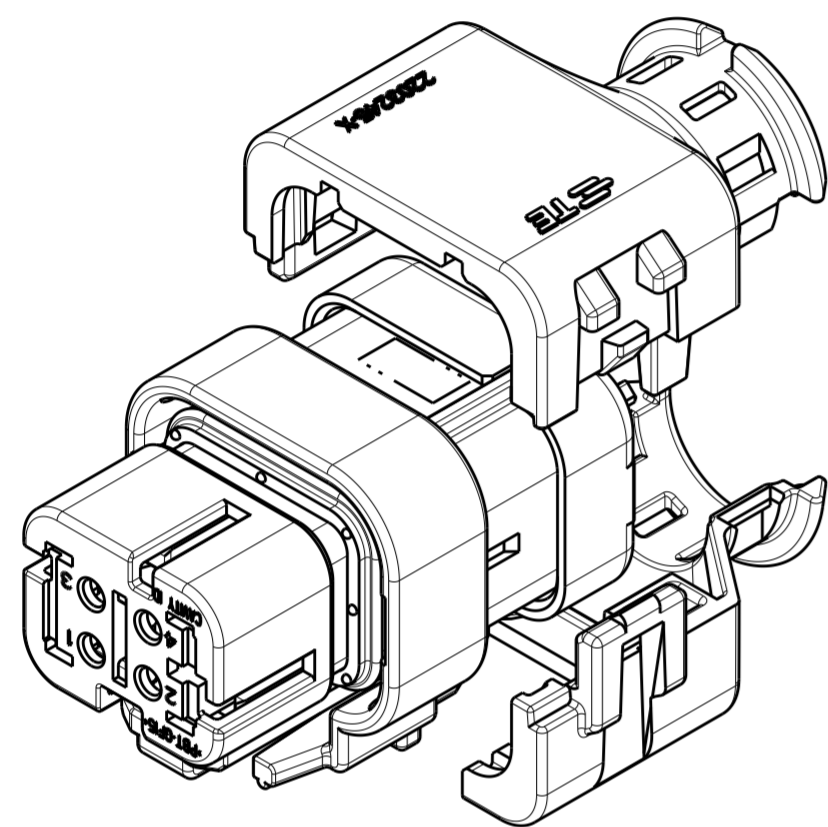
776487-X	NC12	NW10	2292799-3
776524-X	NC16	NW13	2292799-2
	SMOOTH	SMOOTH	2292799-1
FITS ON PLUG ASSY	CORREGATE NC	CORREGATE NW	PART NUMBER
	CONDUIT SIZE		

THIS DRAWING IS A CONTROLLED DOCUMENT.		DWN J MCNEAL 08JUN2015	STE TE Connectivity	
DIMENSIONS: mm [INCHES]		CHK R BALTER 08JUN2015		
TOLERANCES UNLESS OTHERWISE SPECIFIED:		APVD R BALTER 08JUN2015	NAME BACKSHELL KIT, 4 POSITION PLUG ASSY, AMPSEAL 16	
0 PLC ±	1 PLC ±	PRODUCT SPEC 108-151043	RESTRICTED TO	
2 PLC ±	3 PLC ±	APPLICATION SPEC -	SIZE A2	CAGE CODE 00779
4 PLC ±	ANGLES ±	WEIGHT ⁴	DRAWING NO C-2292799	SCALE 2:1
FINISH -	FINISH -	CUSTOMER DRAWING	SHEET 1 OF 2	REV A2

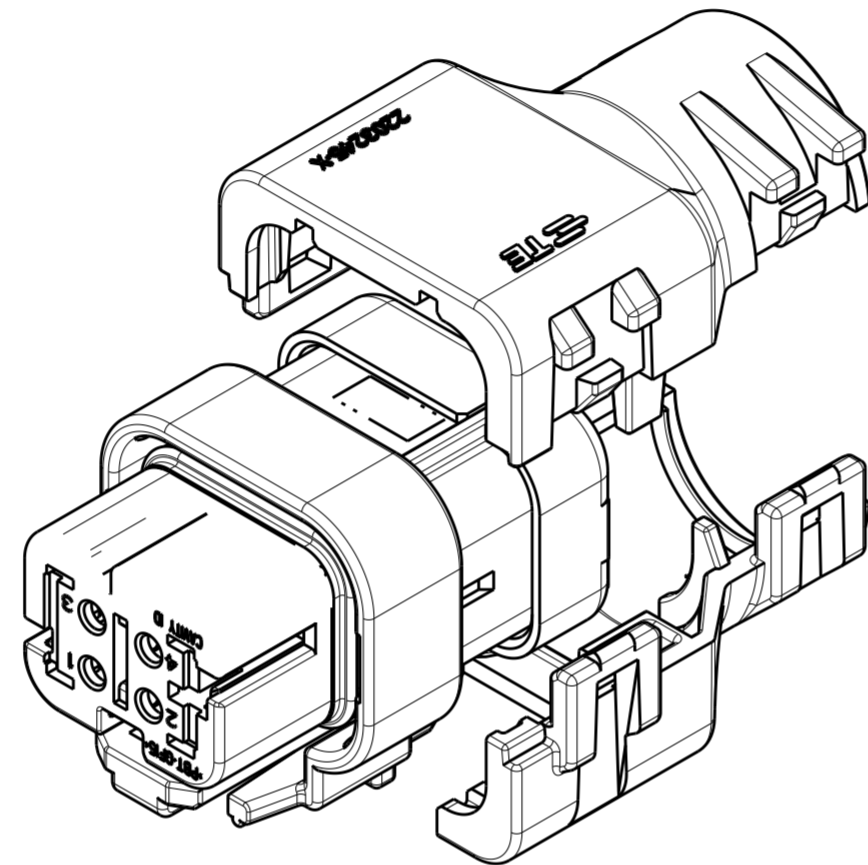
- ¹ MATERIAL: NYLON MOLDING COMPOUND, BLACK, PA66/6.
- ² BACKSHELL DESIGNED SUCH THAT TWO HALVES ATTACH TO ONE ANOTHER AND CLAMP AROUND THE CONNECTOR COVER.
- ³ DIMENSIONS TO BE MEASURED WHEN BACKSHELLS ASSEMBLED.
- ⁴ PRODUCT WEIGHTS:
2292799-1: 4.72g ASSEMBLED
2292799-2: 6.11g ASSEMBLED
2292799-3: 6.71g ASSEMBLED
- ⁵ 4mm WIDE SLOTS FOR TIE WRAP TO SECURE HARNESS WIRES (-1 ONLY).
- ⁶ HEAT SHRINK TUBING RETENTION FEATURE (-1 ONLY).
- 7. INSTRUCTION SHEET: 408-151043.
- 8. CONDUIT PROFILE: NORMAL ONLY.

THIS DRAWING IS UNPUBLISHED. RELEASED FOR PUBLICATION 20
 © COPYRIGHT 20 BY - ALL RIGHTS RESERVED.

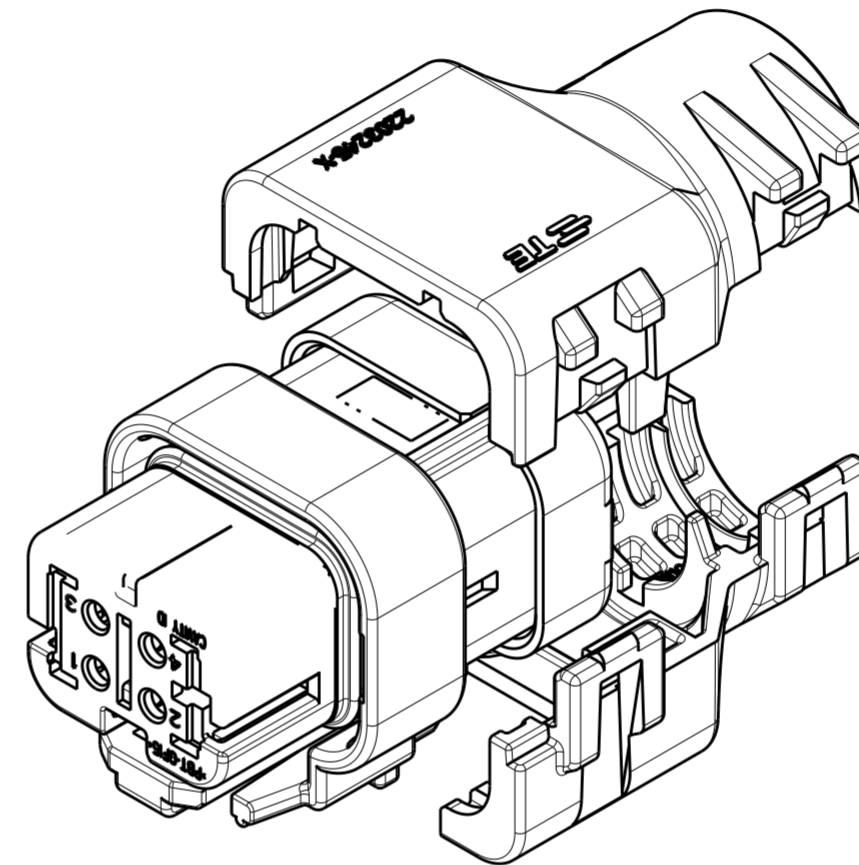
REVISIONS				
P	LTR	DESCRIPTION	DATE	APVD
-		SEE SHEET 1	-	-




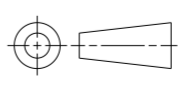
2292799-1
 WITH PLUG ASSEMBLY
 EXPLODED ISOMETRIC VIEW SHOWN
 2



2292799-2
 WITH PLUG ASSEMBLY
 EXPLODED ISOMETRIC VIEW SHOWN
 2



2292799-3
 WITH PLUG ASSEMBLY
 EXPLODED ISOMETRIC VIEW SHOWN
 2

THIS DRAWING IS A CONTROLLED DOCUMENT.		DWN J. MCNEAL 08 JUN 2015	 TE Connectivity
DIMENSIONS: mm [INCHES]		CHK R. BALTER 08 JUN 2015	
		APVD R. BALTER 08 JUN 2015	
TOLERANCES UNLESS OTHERWISE SPECIFIED:		PRODUCT SPEC 108-151043	
MATERIAL	FINISH	APPLIC. SPEC	RESTRICTED TO
-	-	-	A200779 C-2292799
CUSTOMER DRAWING		WEIGHT	SCALE 2:1 SHEET 2 OF 2 REV A2

单击下面可查看定价，库存，交付和生命周期等信息

[>>TE Connectivity\(泰科\)](#)