

THIS DRAWING IS UNPUBLISHED.

RELEASED FOR PUBLICATION

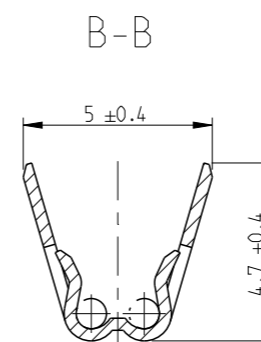
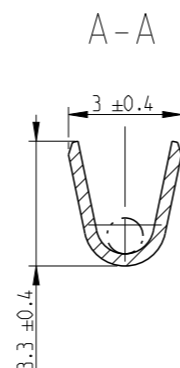
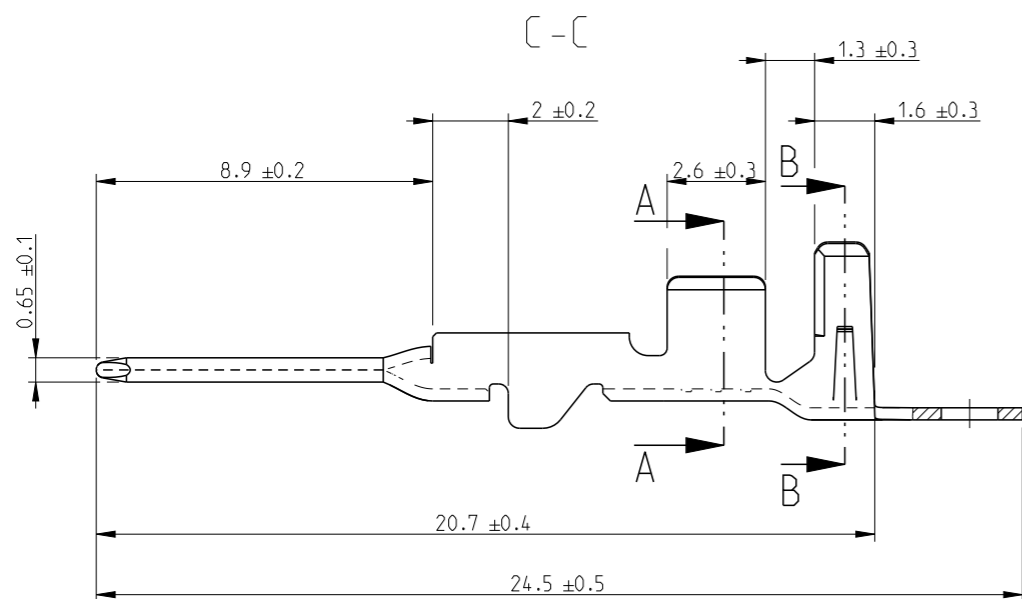
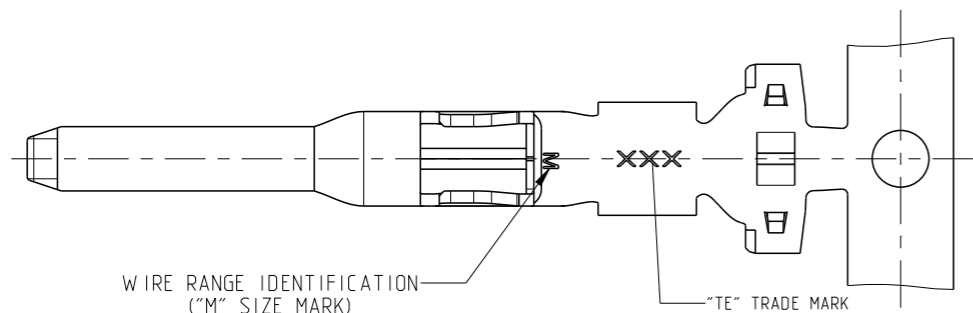
20

© COPYRIGHT 20 BY -

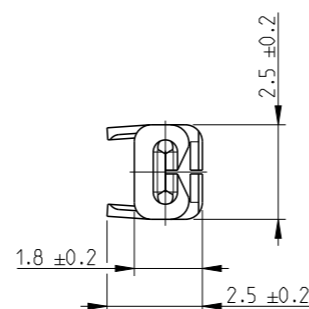
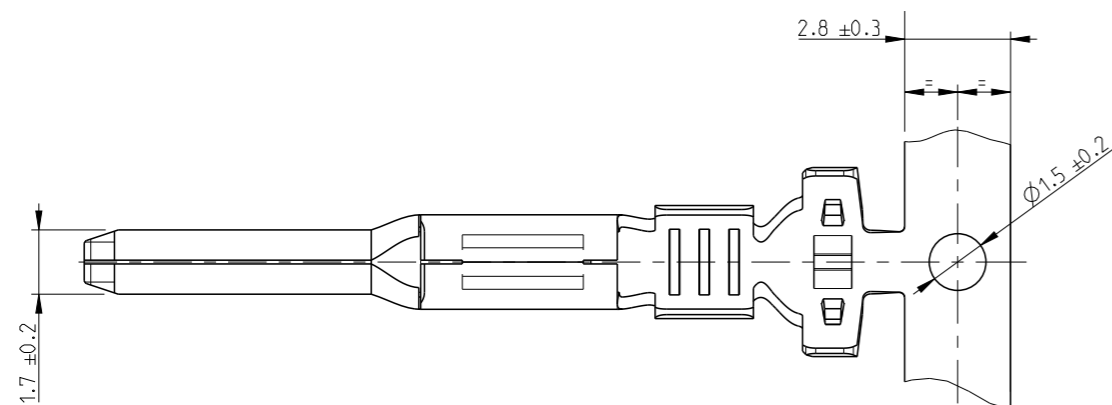
ALL RIGHTS RESERVED.

REVISIONS

| P | LTR | DESCRIPTION              | DATE       | DWN  | APVD |
|---|-----|--------------------------|------------|------|------|
|   | A   | IN PRODUCTION            | -          | R.M  | -    |
|   | A1  | REVISED FOR ET00-0402-97 | 15-10-1997 | M.P  | -    |
|   | C   | REVISED FOR ET00-0088-03 | 9-06-03    | M.P. | -    |
|   | C1  | REDRAWN TO CREO          | 17APR2017  | GH   | JP   |



1. DELIVERY STATE: ITEM IS SUPPLIED REELED ON CARTON REEL WITH STRIP PITCH = 11.9±0.2mm  
 STATO DI FORNITURA: AVVOLTI SU BOBINA CON PASSO TRA TERMINALI DI = 11.9±0.2mm



CUSTOMER DRAWING FOR INFORMATION ONLY  
 DISEGNO PER CLIENTE SOLO PER RIFERIMENTO

|                                 |                      |             |
|---------------------------------|----------------------|-------------|
| PRE-TIN (PRE-STAGNATO)          | BRASS (OTTONE)       | 282378-1    |
| FINISH/COLOUR (FINITURE/COLORE) | MATERIAL (MATERIALE) | PART NUMBER |

THIS DRAWING IS A CONTROLLED DOCUMENT.

DWN R. MARTINI 3JUN1993

CHK C. TARTARI 3JUN1993

APVD -

PRODUCT SPEC 108-20159

APPLICATION SPEC 114-20057

WEIGHT -

CUSTOMER DRAWING

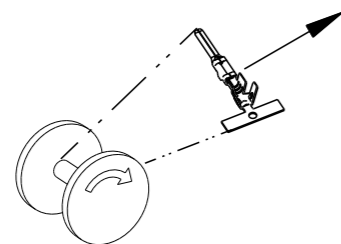


NAME .070 SERIES MULTILOCK TAB CONTACT

|         |             |                     |                 |
|---------|-------------|---------------------|-----------------|
| SIZE A3 | CAGE CODE - | DRAWING NO C=282378 | RESTRICTED TO - |
|---------|-------------|---------------------|-----------------|

|           |              |        |
|-----------|--------------|--------|
| SCALE 5:1 | SHEET 1 OF 1 | REV C1 |
|-----------|--------------|--------|

DIRECTION OFF TOP OF REEL  
 SENSO DI USCITA DALLA BOBINA



|                                  |                           |
|----------------------------------|---------------------------|
| INS. DIA. RANGE (DIAM. ISOLANTE) | WIRE RANGE (RANGO FILO)   |
| Ø1.9 - 2.6mm                     | 0.75 - 1.5mm <sup>2</sup> |

|                |   |
|----------------|---|
| DIMENSIONS: mm | TOLERANCES UNLESS OTHERWISE SPECIFIED:              |
|                | 0 PLC ±<br>1 PLC ±<br>2 PLC ±<br>3 PLC ±<br>4 PLC ± |
|                | ±0.3  |
|                | ±2°   |
| MATERIAL -     | FINISH -  |

单击下面可查看定价，库存，交付和生命周期等信息

[>>TE Connectivity\(泰科\)](#)