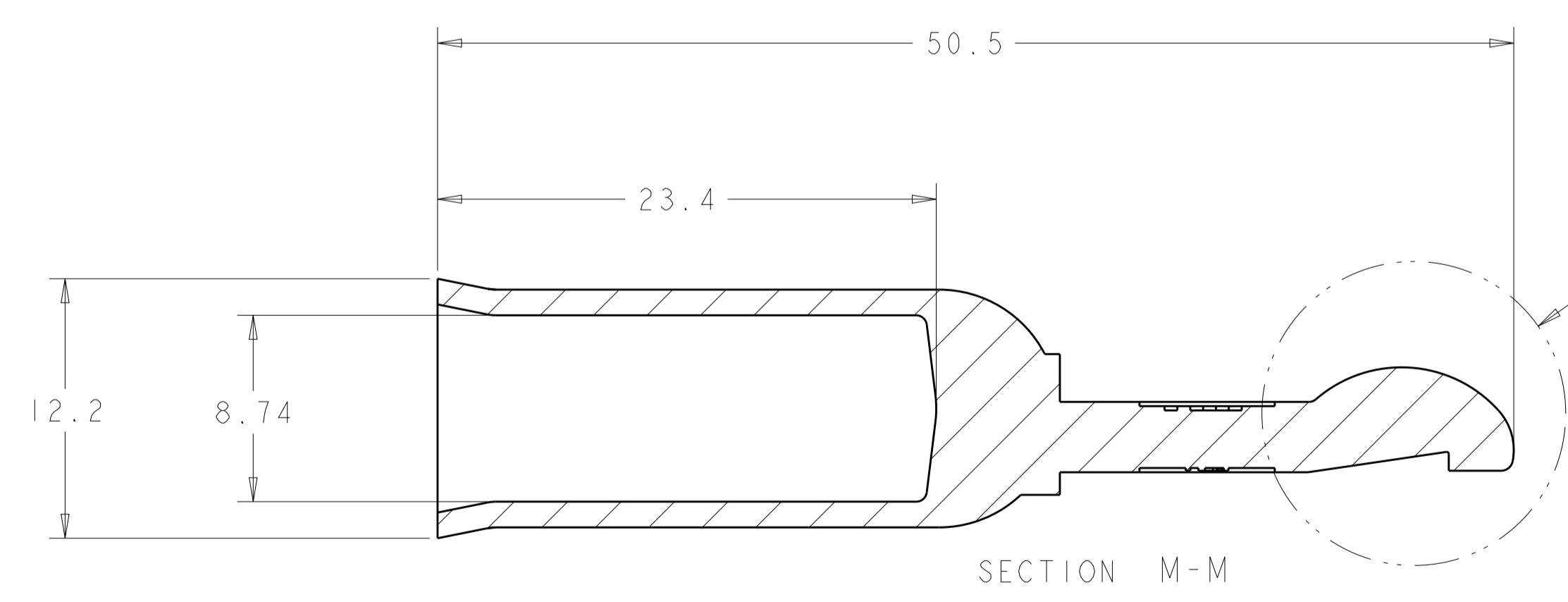
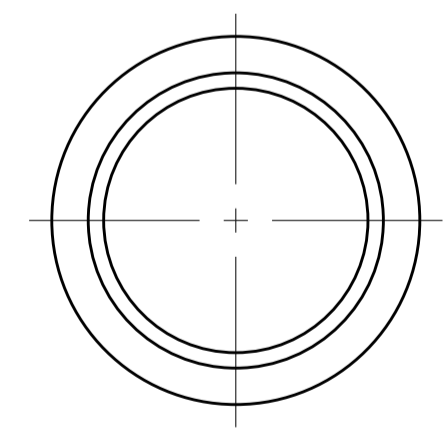
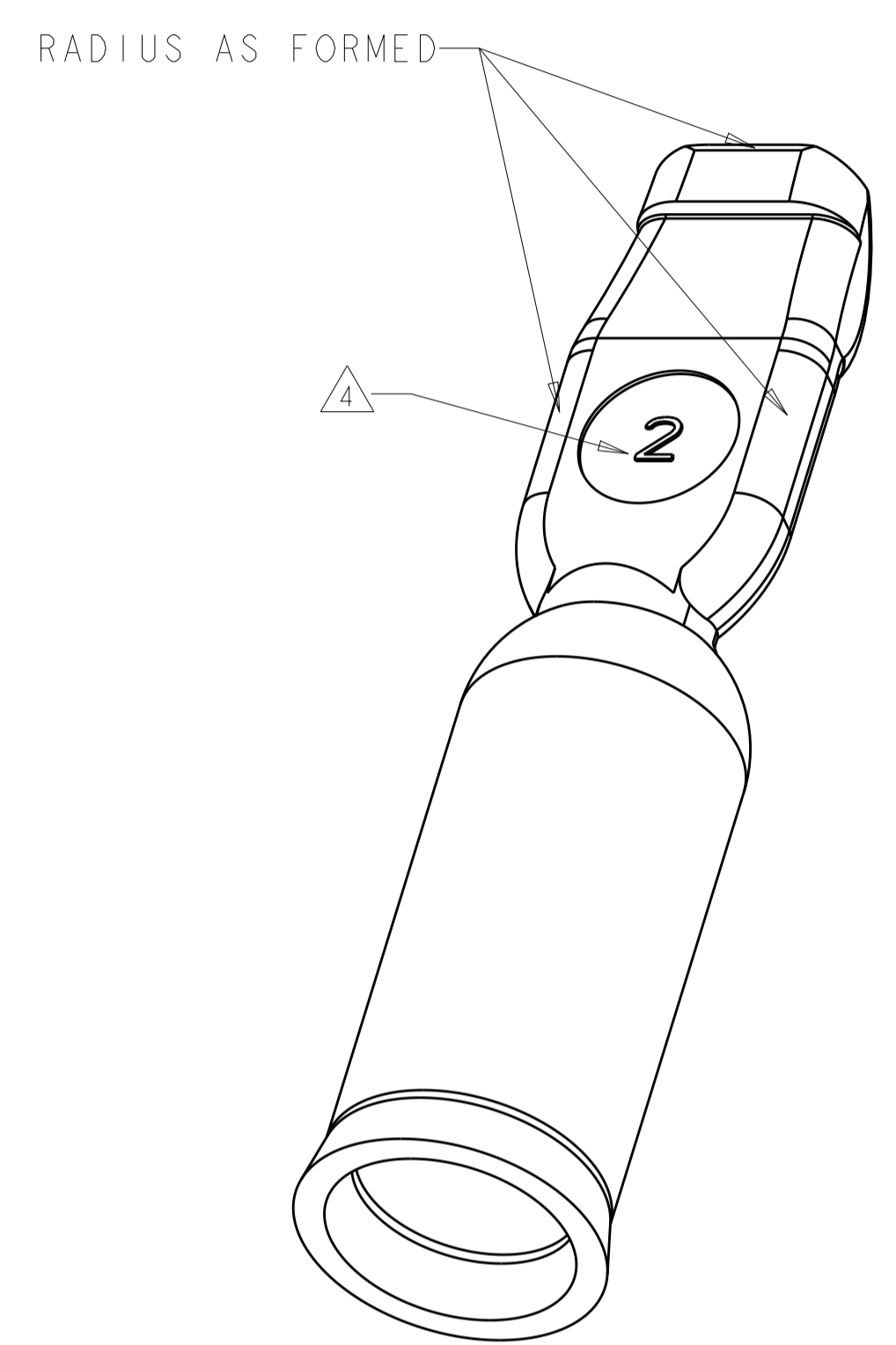
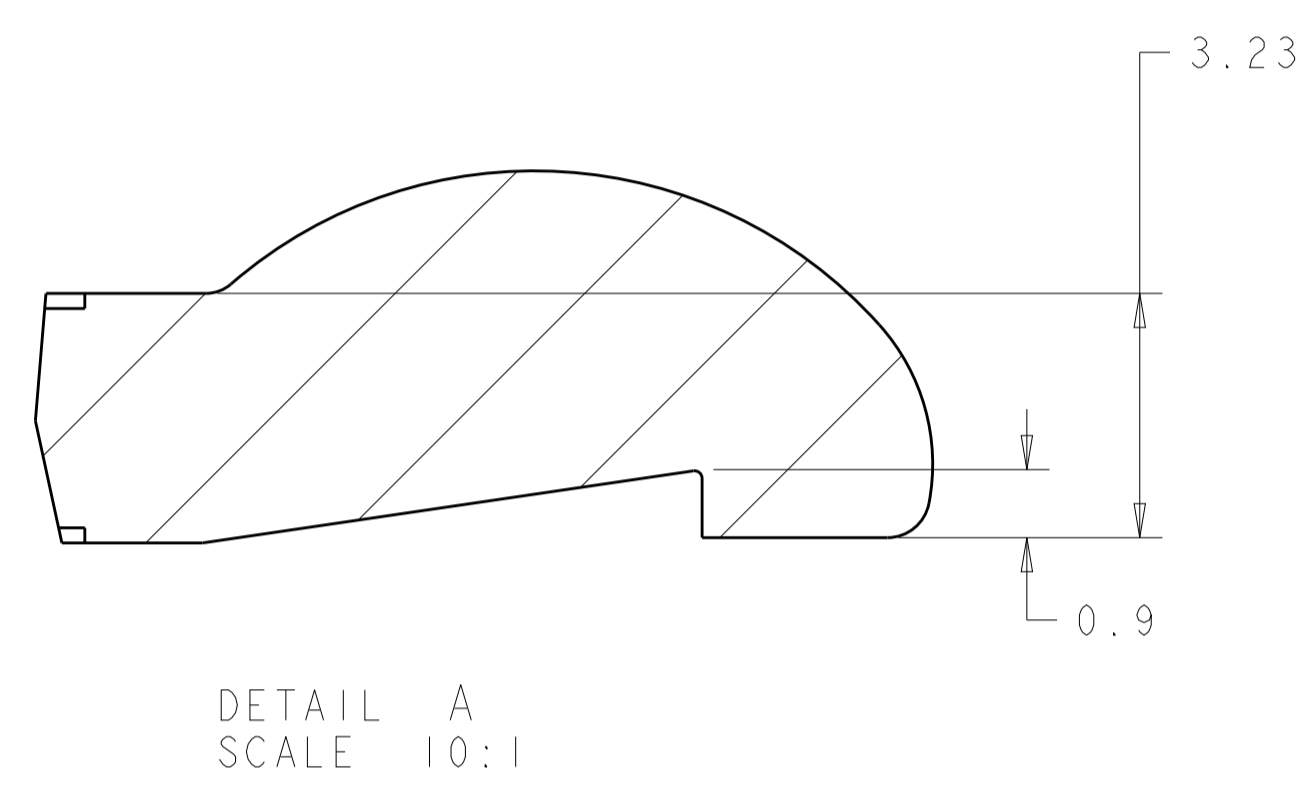
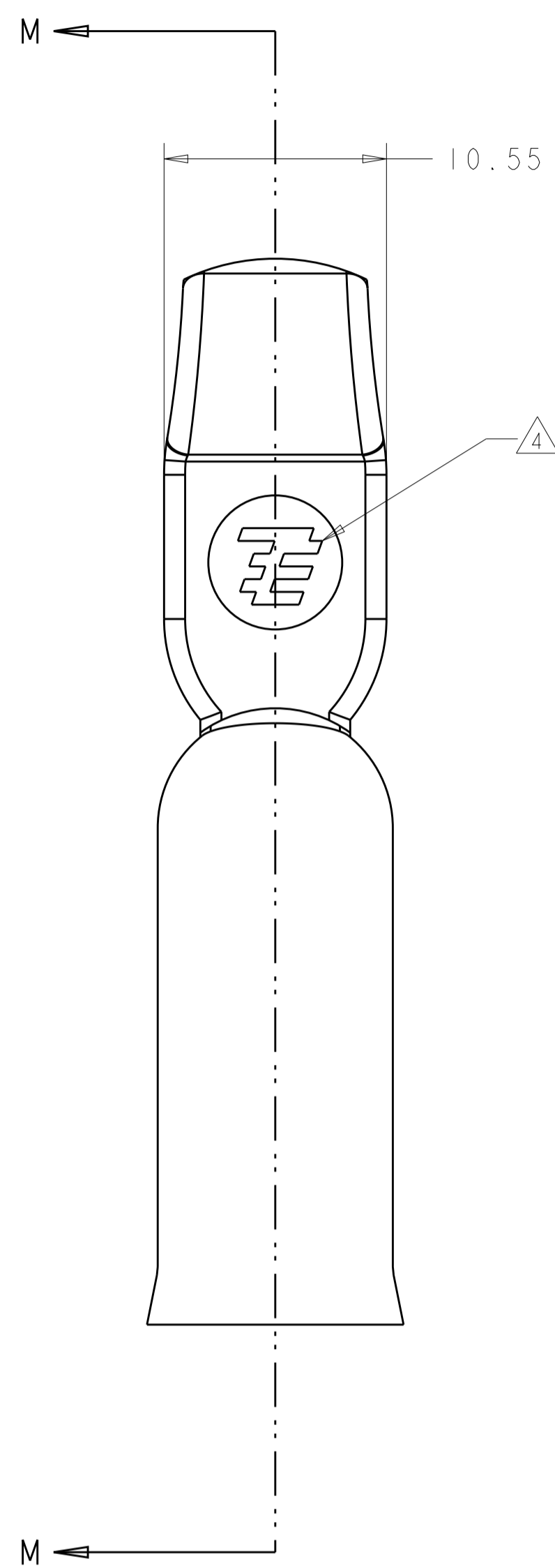


LOC	DIST	REVISIONS					
		P.	LTN	DESCRIPTION	DATE	DWN	APVD
CM	00	A		REVISED PER ECR 10-006756	01APR10	JR	SM
		B		REVISED PER ECR-18-000415	17JAN2018	RS	SZ



- SEE DETAIL A
1. MATERIAL: COPPER
  2. PLATING: SILVER
  3. THIS PRODUCT HAS PASSED VERIFICATION AND AGENCY APPROVALS TESTING AND IS COMPONENT RECOGNIZED PER UL 1977 AND CSA 22.2. TYCO ELECTRONICS PRODUCT QUALIFICATION TESTING IS NOT YET COMPLETED.
- 4 STAMP MARK MAY BE ROTATED

1445995-1  
PART NUMBER

METRIC

<small>THIS DRAWING IS UNPUBLISHED. RELEASED FOR PUBLICATION. IT IS THE PROPERTY OF TYCO ELECTRONICS CORPORATION. IT IS TO BE USED ONLY FOR THE PURPOSES AND IN THE QUANTITIES SPECIFIED IN THE ORDER. IT IS TO BE RETURNED TO TYCO ELECTRONICS CORPORATION IF NOT SO USED. CONTACT TYCO ELECTRONICS CORPORATION FOR MORE INFORMATION.</small>		DWN B. HAYMAKER 28NOV01 CHK K. KETELSLEGER 28NOV01 APVD K. KETELSLEGER 28NOV01	<b>tyco</b> Electronics Tyco Electronics Harrisburg, PA 17105-3608
DIMENSIONS: mm 	TOLERANCES UNLESS OTHERWISE SPECIFIED: 0 PLC ± 1 PLC ± 2 PLC ±0.13 3 PLC ± 4 PLC ± ANGLES ±5 FINISH	NAME PRODUCT SPEC APPLICATION SPEC WEIGHT CUSTOMER DRAWING	CONTACT, AMP POWER SERIES 120, 2 AWG SIZE CAGE CODE DRAWING NO A 00779 C=1445995 SCALE 4:1 SHEET 1 OF 1 REV B

单击下面可查看定价，库存，交付和生命周期等信息

[>>TE Connectivity\(泰科\)](#)

[>>点击查看相关商品](#)