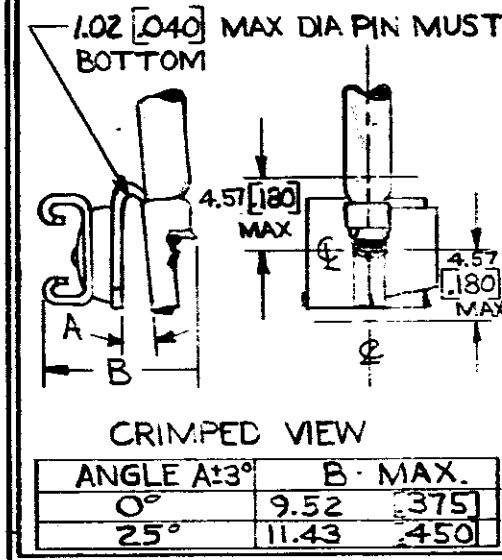
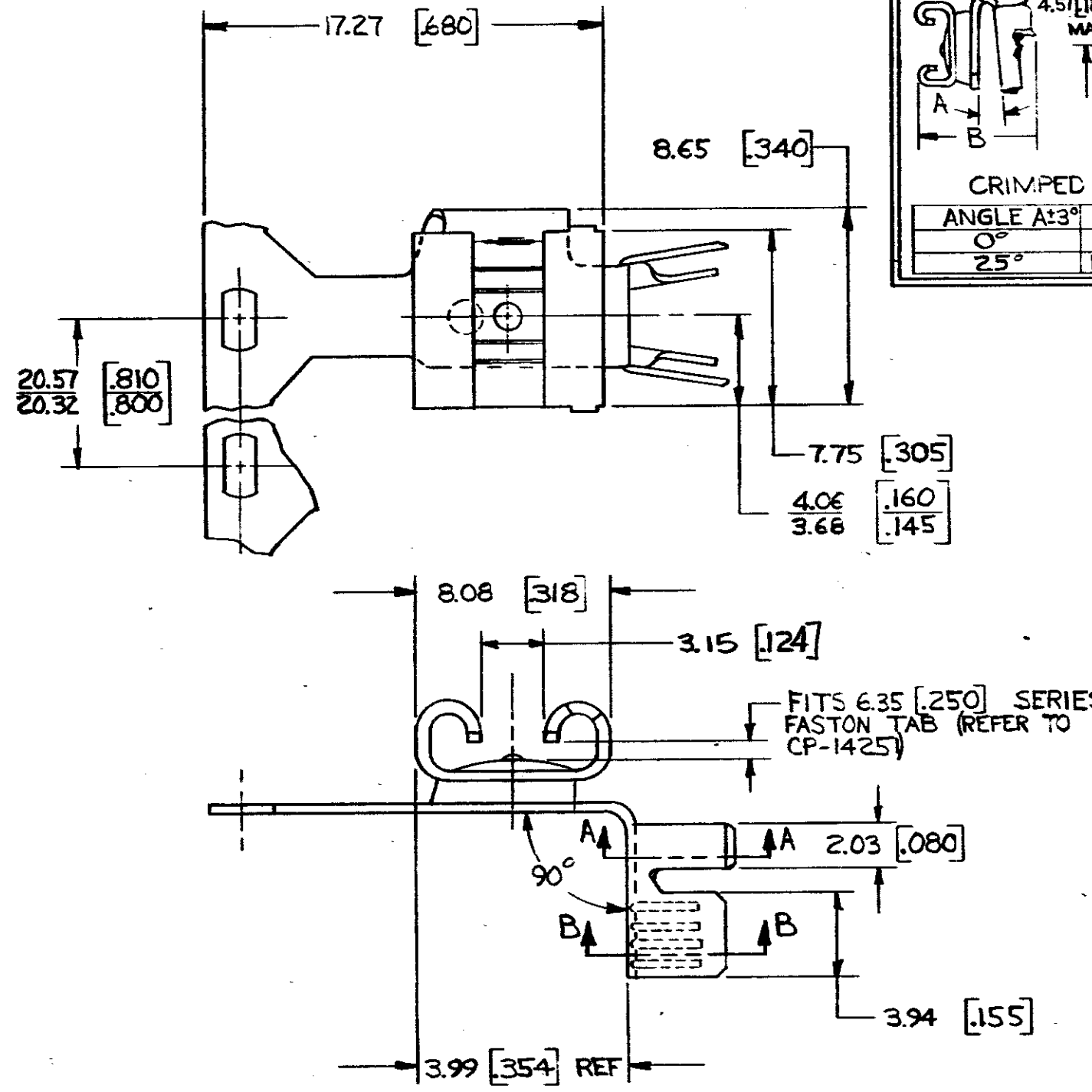
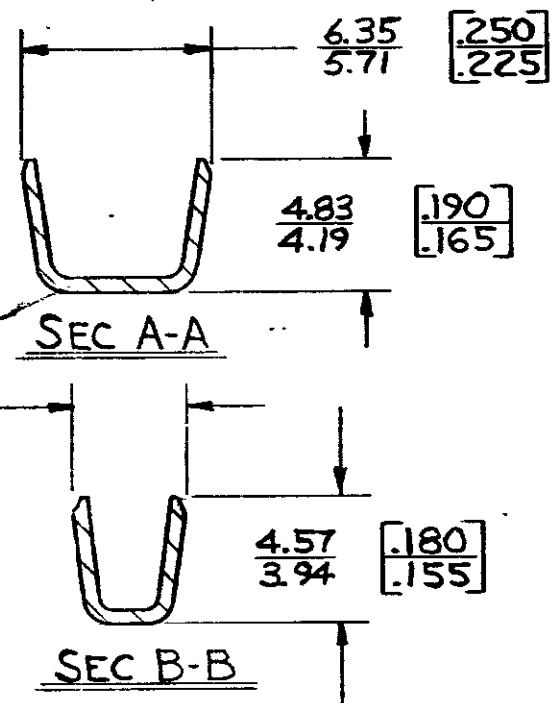


© COPYRIGHT 1978 BY AMP INCORPORATED, HARRISBURG, PA. ALL INTERNATIONAL RIGHTS RESERVED. AMP INCORPORATED PRODUCTS COVERED BY U. S. AND FOREIGN PATENTS AND/OR PATENTS PENDING.



REVISIONS						
P	F	ZONE	LTR	DESCRIPTION	DATE	APPROVED
			P	REDRAWN + ADDED -3 PER TTI	7/21/78	SS/JK
			Q	OBS. 60873-2 A-4533	2-25-80	RLT/SL
			R	REVISED PER. ECR A-4952	4-16-81	HW/AM
			S	OBS. -3 AF0290	5/2/84	SL/ym
			T	REN. PER AF 0969	7/24/88	SL/41

1. CONTINUOUS STRIP ON REELS
2. DIMENSIONS IN BRACKETS ARE IN INCHES.



NONE	0.81			60873-3
SILVER	[.032]	3.30-4.32 [130-170]	1.3-3.0 ^{mm2} [16-12]	60873-2
TIN				60873-1
FINISH	TAE 5002 THK 1.000	INSULATION RANGE	WIRE RANGE	PART NO

METRIC

UNLESS OTHERWISE SPECIFIED DIMENSIONS ARE IN INCHES. MM TOLERANCES ON: DECIMALS ±0.35 [015] ANGLES ±	CONTRACT NO	AMP INCORPORATED Harrisburg, Pa.		
MATERIAL 0.46 [015] PH. BRZ	DR [Signature] 7/21/78	NAME "250" SERIES REVERSIBLE FLAG FASTON RECEPTACLE (SIDE FEED)		
FINISH SEE TABLE	CHK G. Y. [Signature] 7/24/78	SIZE B	CODE IDENT NO 00779	DRAWING NO 60873
	APPD [Signature] 7/27/78	SCALE		SHEET
	APPD [Signature] 7/24/78			
	DSGN APPD			
	OTHER APPD			

单击下面可查看定价，库存，交付和生命周期等信息

[>>TE Connectivity\(泰科\)](#)