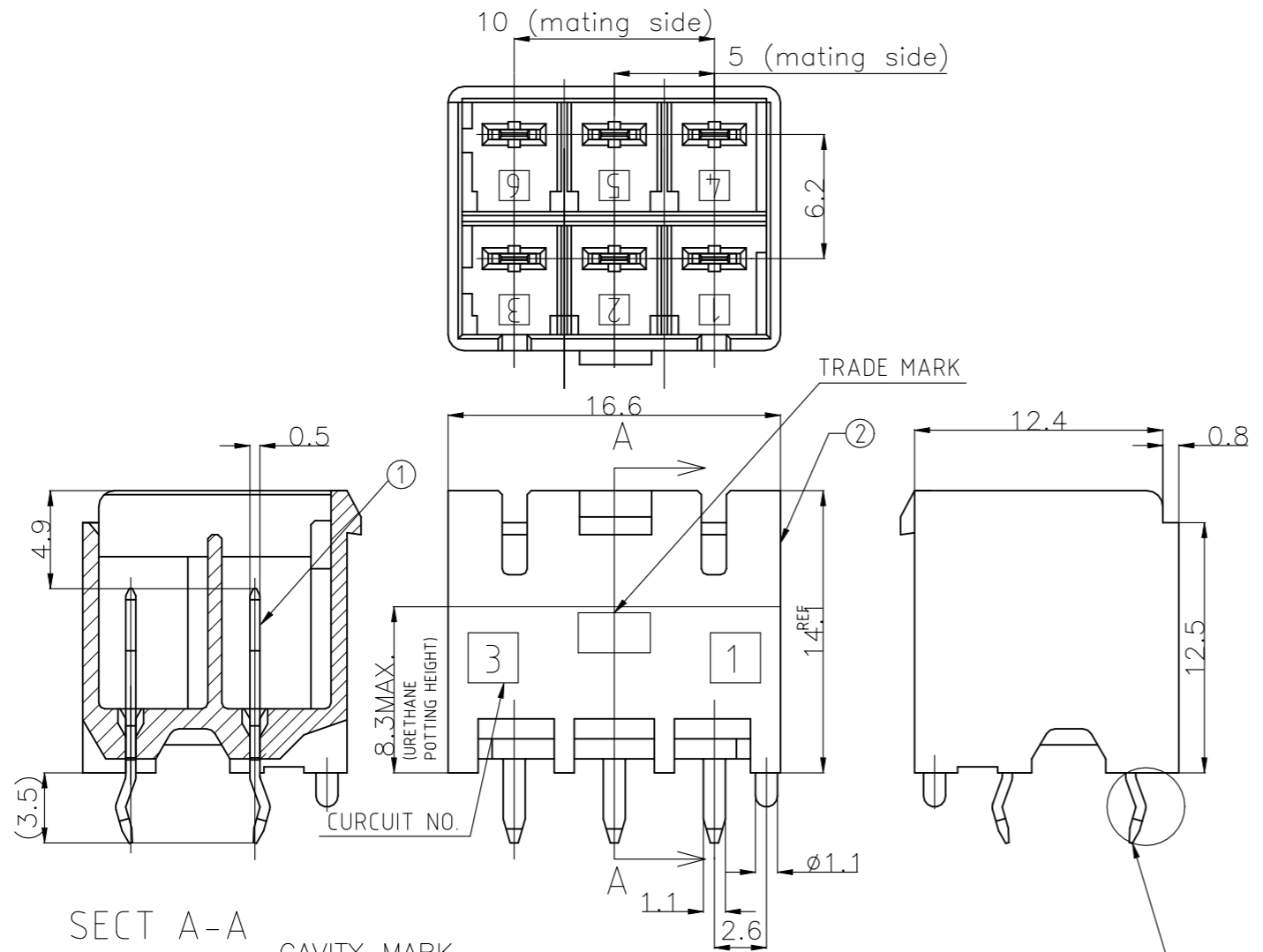
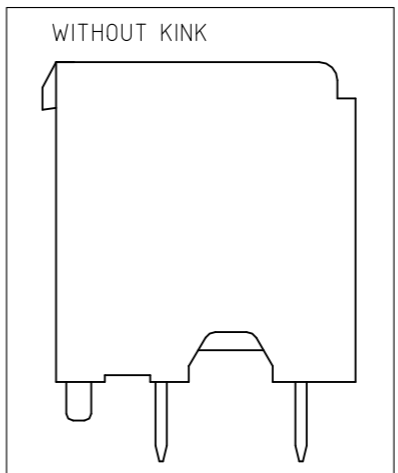
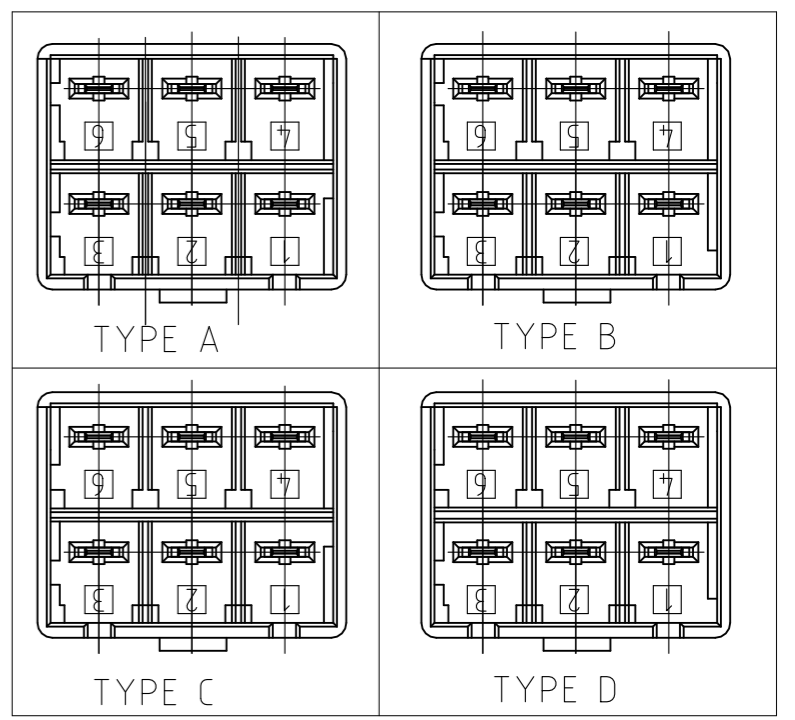


THIS DRAWING IS UNPUBLISHED. RELEASED FOR PUBLICATION
 © COPYRIGHT - By - ALL RIGHTS RESERVED.

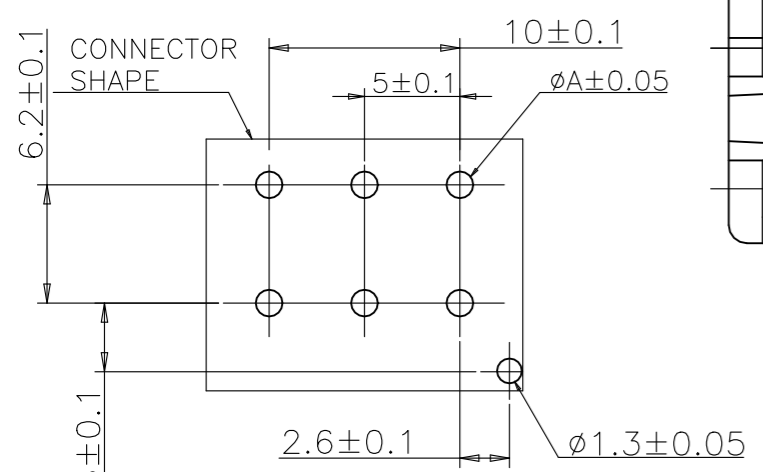
REVISIONS					
P	LTR	DESCRIPTION	DATE	DWN	APVD
F2		REVISED PER ECR-21-101026	23MAR2021	SK	DZ



THE TYPE OF KEYING



SECT A-A



NO.	NAME	MATERIAL
②	HEADER HOUSING	6/6 NYLON GRASS FILLED
①	TAB	COPPER ALLOY TIN PLATED

△5	MATING CONN. P/N	WITH/WITHOUT KINK	TYPE OF KEYING	Color	Pos	PART NO.
△5	3-1376393-4	WITHOUT KINK	TYPE D	YELLOW	6Pos	8-1376387-4
△5	2-1376393-3	WITHOUT KINK	TYPE C	BLUE	6Pos	7-1376387-3
△5	1-1376393-2	WITHOUT KINK	TYPE B	RED	6Pos	6-1376387-2
△5	1376393-1	WITHOUT KINK	TYPE A	NATURAL	6Pos	5-1376387-1
△5	3-1376393-4	WITH KINK	TYPE D	YELLOW	6Pos	3-1376387-4
△5	2-1376393-3	WITH KINK	TYPE C	BLUE	6Pos	2-1376387-3
△5	1-1376393-2	WITH KINK	TYPE B	RED	6Pos	1-1376387-2
△5	1376393-1	WITH KINK	TYPE A	NATURAL	6Pos	1376387-1

	DIM A
PUNCHING	1.25
DRILLING	1.4

- △1 RECOMMENDED P.C.B LAY OUT.
- △2 APPLICABLE P.C.B. THICKNESS:1.6.
- △3 MATING CONN. P/N PLUG HOUSING :SEE TABLE.
- 4 PARTS MEET IEC 60335-1 (GWT GLOW WIRE TEST 750 DEGREE SPEC). NYLON 66, GWT, V-0.
- △5

RECOMMEDED PCB HOLES

THIS DRAWING IS A CONTROLLED DOCUMENT.

DWN	A.OISHI	20MAR2003
CHK	Y.KASHIWA	28AUG'00
APVD	Y.KASHIWA	28AUG'00
PRODUCT SPEC	NAME	
APPLICATION SPEC	108-5699	
WEIGHT	114-5292	

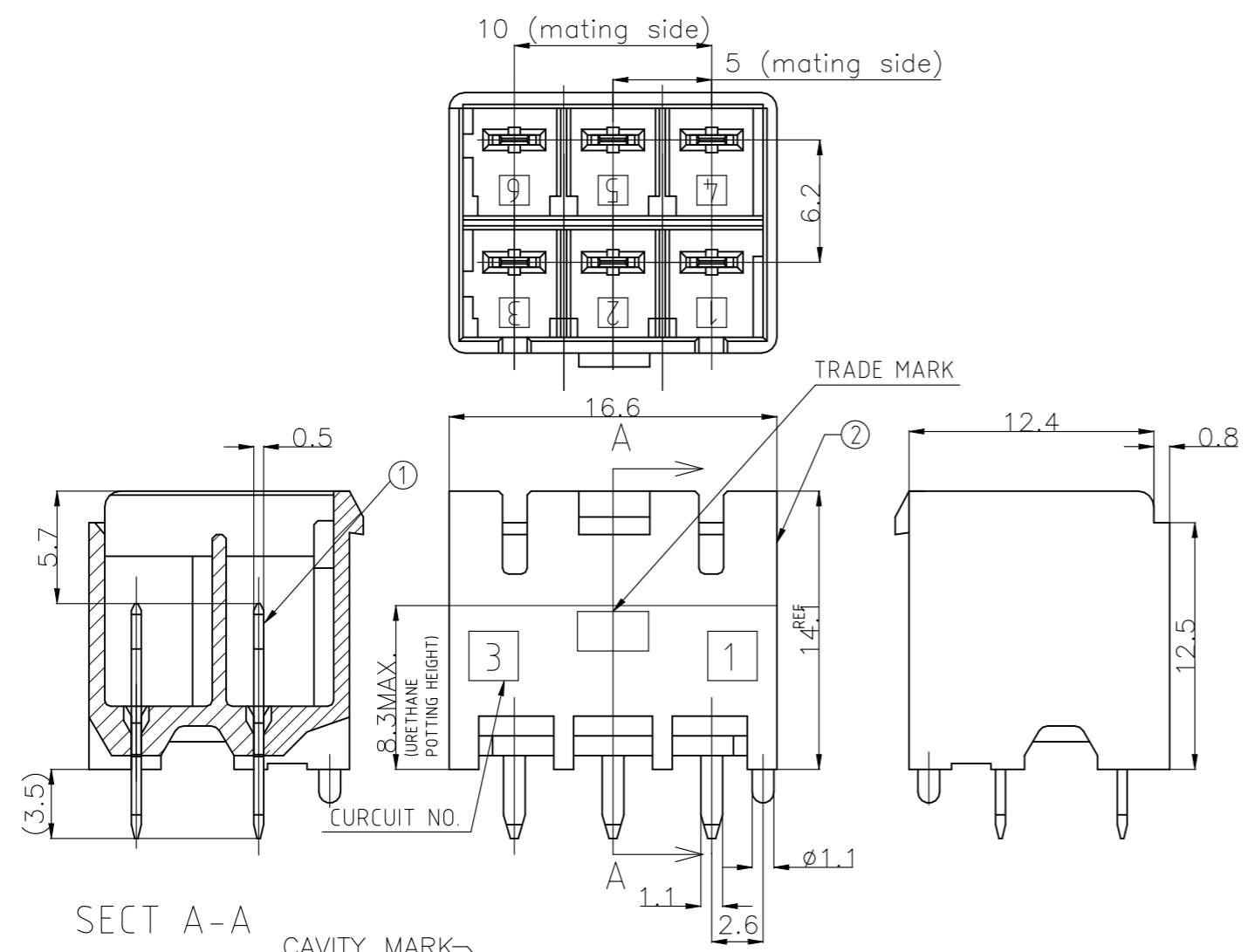
STE TE Connectivity

5.0 POWER KEY CONNECTOR
 6P HEADER ASSEMBLY (2ROW)

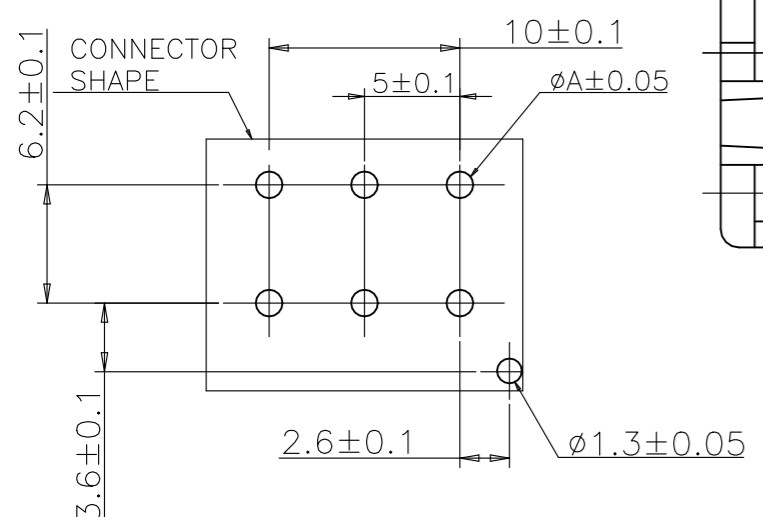
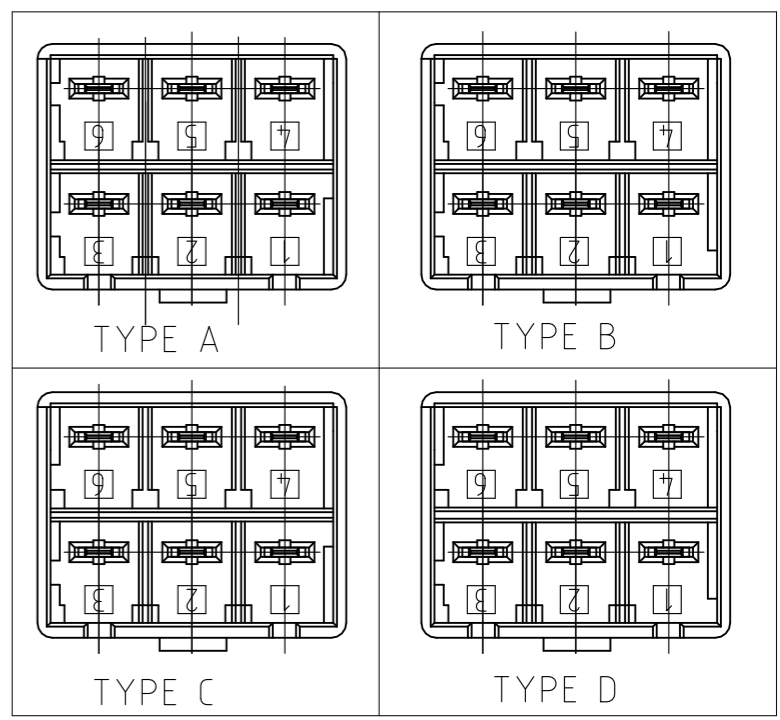
SIZE	CAGE CODE	DRAWING NO	RESTRICTED TO
A3	00779	C-1376387	-

CUSTOMER DRAWING SCALE 3:1 SHEET 1 OF 2 REV F2

P	LTR	DESCRIPTION	DATE	DWN	APVD
-	-	SEE SHEET 1	-	-	-



THE TYPE OF KEYING




PUNCHING	1.25
DRILLING	1.4
	DIM A

1 RECOMMENDED P.C.B LAY OUT.
 2 APPLICABLE P.C.B. THICKNESS:1.6.
 3 MATING CONN. P/N
 PLUG HOUSING :SEE TABLE.

NO.	NAME	MATERIAL
2	HEADER HOUSING	6/6 NYLON W/O GF
1	TAB	COPPER ALLOY TIN PLATED

3-1376393-5	WITHOUT KINK	TYPE D	YELLOW	6Pos	3-1376387-5
2-1376393-4	WITHOUT KINK	TYPE C	BLUE	6Pos	2-1376387-4
1-1376393-3	WITHOUT KINK	TYPE B	RED	6Pos	1-1376387-3
1376393-2	WITHOUT KINK	TYPE A	NATURAL	6Pos	1376387-2
MATING CONN. P/N	WITH/WITHOUT KINK	TYPE OF KEYING	Color	Pos	PART NO.

THIS DRAWING IS A CONTROLLED DOCUMENT.

DWN A.OISHI	20MAR2003	 TE Connectivity		
CHK Y.KASHIWA	28AUG'00			
APVD Y.KASHIWA	28AUG'00			
PRODUCT SPEC 108-78863	NAME	5.0 POWER KEY CONNECTOR 6P HEADER ASSEMBLY (2ROW)		
APPLICATION SPEC 114-5292	SIZE			
WEIGHT 1.67g	CAGE CODE A300779	DRAWING NO C-1376387	RESTRICTED TO	
CUSTOMER DRAWING		SCALE 3:1	SHEET 2 OF 2	REV F2

RECOMMEDED PCB HOLES

单击下面可查看定价，库存，交付和生命周期等信息

[>>TE Connectivity\(泰科\)](#)