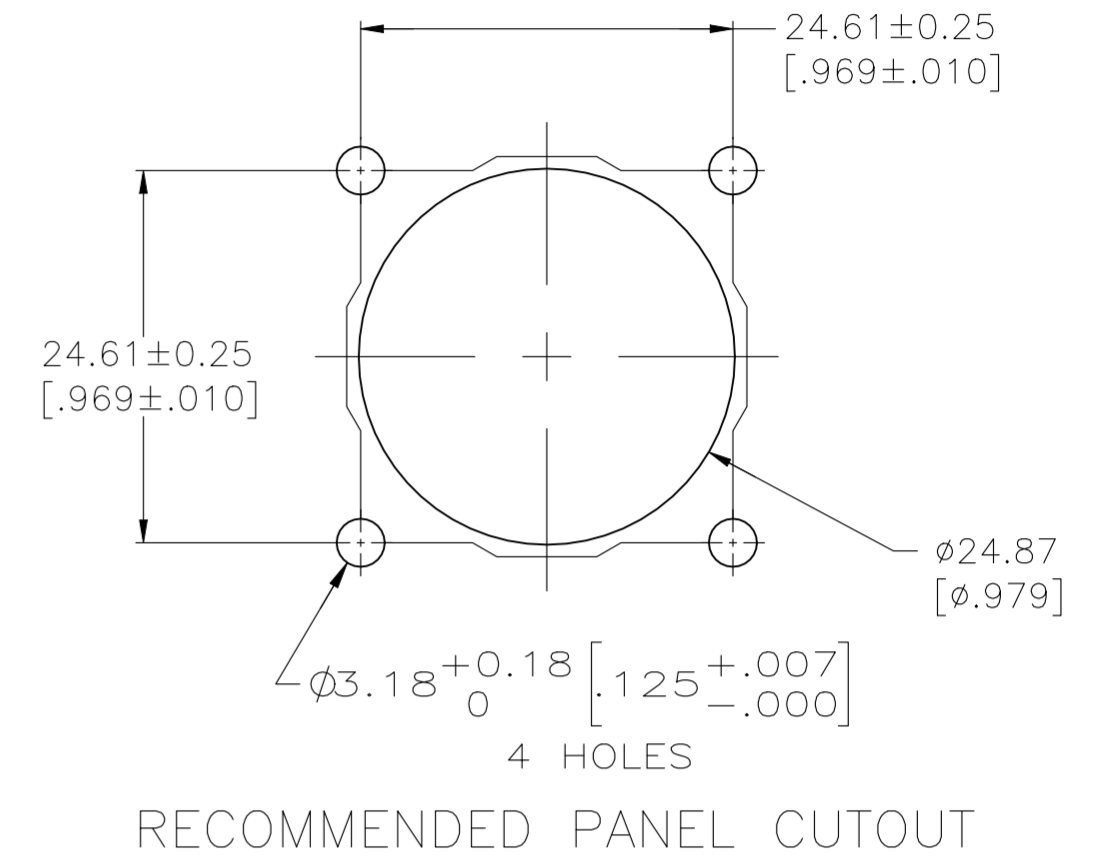
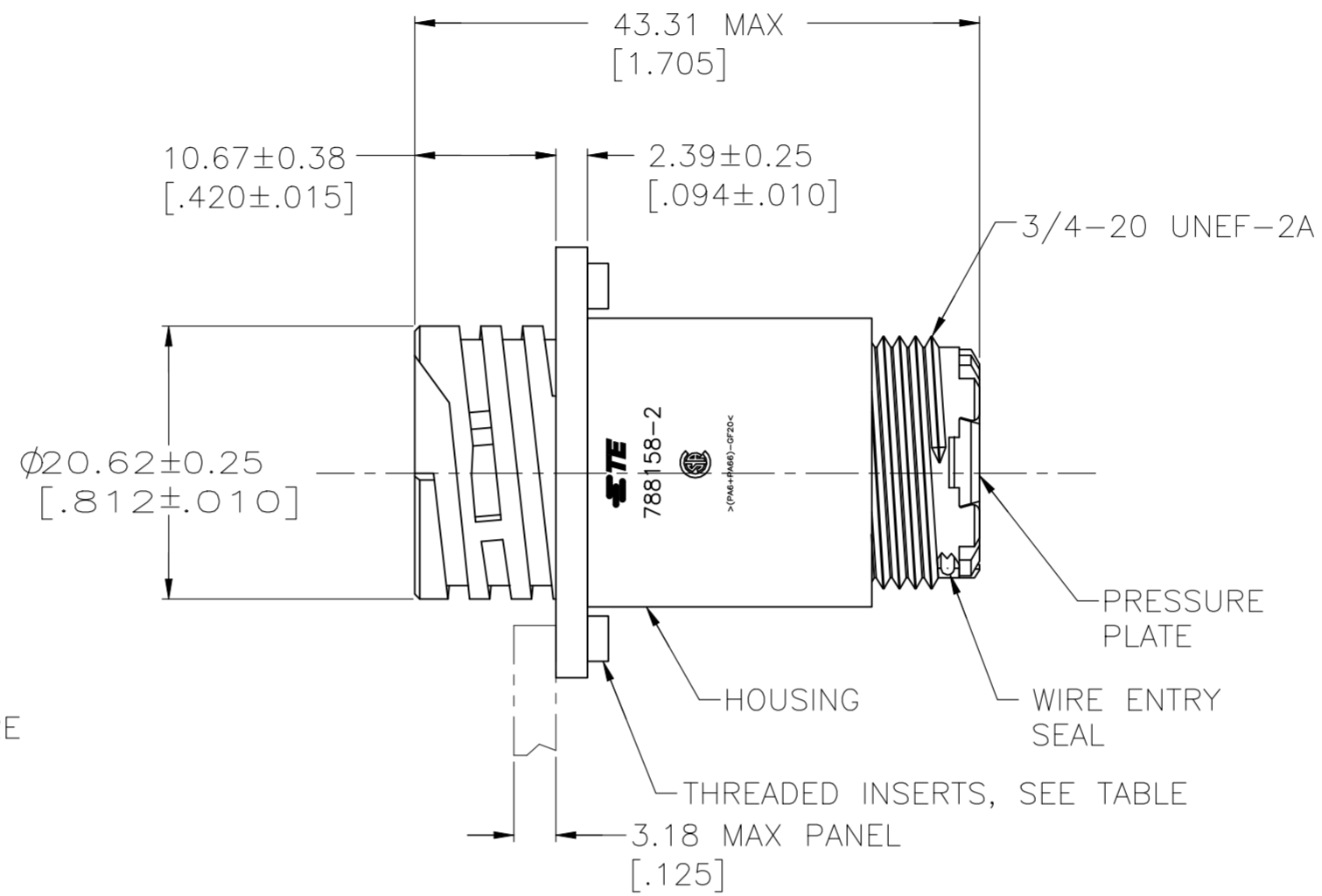
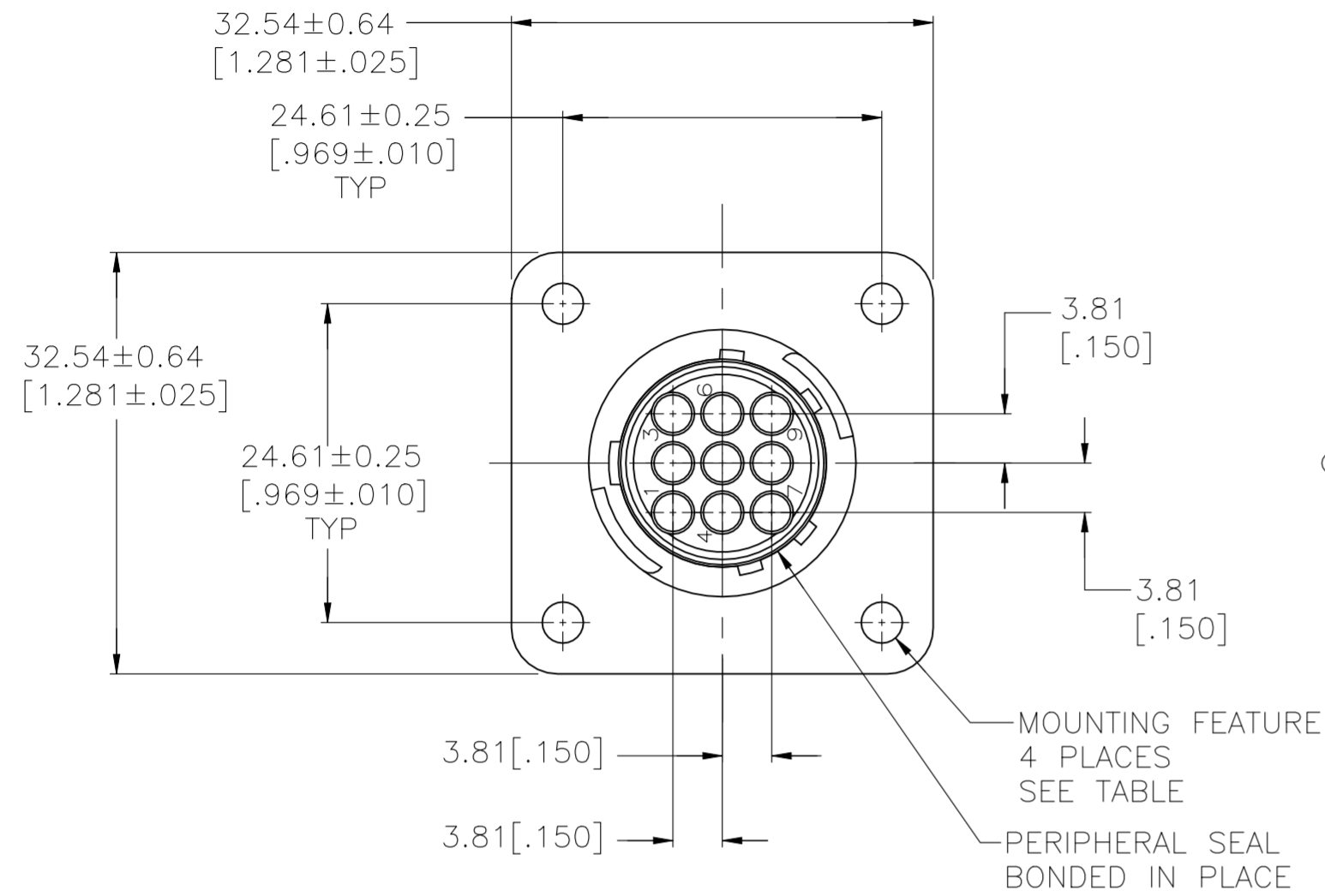


REVISIONS					
P	LTR	DESCRIPTION	DATE	DWN	APVD
F		REVISED PER ECO-21-006944	12OCT2021	RK	MZ



1 THIS PART WILL ACCEPT NINE (9) MULTIMATE PIN CONTACTS.

2 HOUSING AND PRESSURE PLATE: NYLON, BLACK.  
 PERIPHERAL SEAL: ELASTOMER, BLACK.  
 WIRE ENTRY SEAL: ELASTOMER, RED-IRON OXIDE.  
 THREADED INSERTS: BRASS.

3 OBSOLETE PARTS: OBSOLETE CIS STREAMLINING PER D.RENAUD/D.SINISI.

3 OBSOLETE	#4-40 THREADED INSERTS	.065-.100	STANDARD	788158-4
3 OBSOLETE	#4-40 THREADED INSERTS	.040-.080	SMALL	788158-3
3 OBSOLETE	Ø3.18 (.125) HOLES	.065-.100	STANDARD	788158-2
3 OBSOLETE	Ø3.18 (.125) HOLES	.040-.080	SMALL	788158-1
	MOUNTING FEATURE	WIRE INSULATION DIAMETER RANGE	INSULATION	PART NUMBER

THIS DRAWING IS A CONTROLLED DOCUMENT.		DWN	C.DORWART	26 AUG 98	 TE Connectivity
DIMENSIONS: mm [INCHES]		CHK	R.WALTER	26 AUG 98	
TOLERANCES UNLESS OTHERWISE SPECIFIED:		APVD	R.WALTER	26 AUG 98	
0 PLC ± - 1 PLC ± - 2 PLC ± 0.13 [.005] 3 PLC ± - 4 PLC ± - ANGLES ± -		PRODUCT SPEC			
MATERIAL	FINISH	WEIGHT			NAME
2	-	-			RCPT ASSY, 13-9, STD SEX, SERIES I, SEALED, CIRCULAR PLASTIC CONNECTOR
					SIZE
					CAGE CODE
					DRAWING NO
					RESTRICTED TO
					A2 00779 C=788158
					CUSTOMER DRAWING
					SCALE 2:1 SHEET 1 OF 1 REV F

单击下面可查看定价，库存，交付和生命周期等信息

[>>TE Connectivity\(泰科\)](#)