

THIS DRAWING IS UNPUBLISHED.

RELEASED FOR PUBLICATION

ALL RIGHTS RESERVED.

© COPYRIGHT - By -

LOC FT DIST 0

REVISIONS

P	LTR	DESCRIPTION	DATE	DWN	APVD
	F2	REVISED PER ECO-11-004820	11MAR11	RK	HMR

PHYSICAL PROPERTIES:

HOUSING MATERIAL: PBT
FLAMMABILITY: UL94V-0
COLOR: BLACK

TERMINAL:

TERMINALS: BRASS, TIN PLATED
SCREWS: 8-32 STEEL, NICKEL PLATED

MECHANICAL:

PITCH (TERMINAL SPACING): .563"
WIRE RANGE: 10-22 AWG
RECOMMENDED TIGHTENING TORQUE: 14IN-LBS MAX.

ELECTRICAL PROPERTIES:

MAXIMUM CURRENT: 30A
OPERATING VOLTAGE: 300V

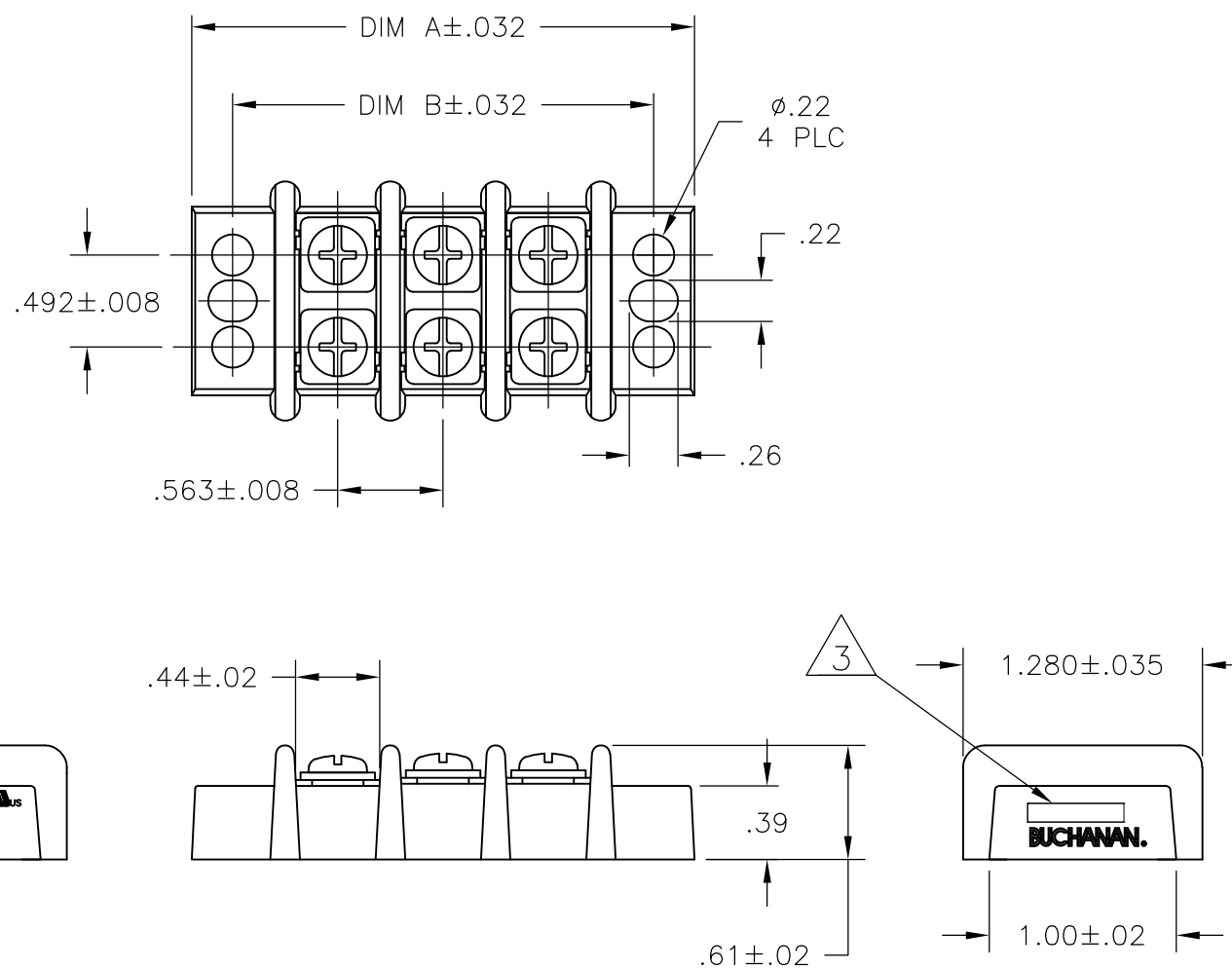
ENVIRONMENTAL PROPERTIES:

OPERATING TEMP RANGE: -40°C TO 120°C

1 PARTS SUPPLIED WITH SCREWS UNINSTALLED.

2 PRELIMINARY PART NUMBER.

3 TE CONNECTIVITY LOGO LOCATED APPROXIMATE AREA SHOWN.



10.701	11.138	18	1-1546311-8
10.138	10.575	17	1-1546311-7
9.575	10.012	16	1-1546311-6
9.012	9.449	15	1-1546311-5
8.449	8.886	14	1-1546311-4
7.886	8.323	13	1-1546311-3
7.323	7.760	12	1-1546311-2
6.760	7.197	11	1-1546311-1
6.197	6.634	10	1-1546311-0
5.634	6.071	9	2-1546311-1
5.634	6.071	9	1546311-9
5.071	5.508	8	2-1546311-0
5.071	5.508	8	1546311-8
4.508	4.945	7	1546311-7
3.945	4.382	6	1546311-6
3.382	3.819	5	1546311-5
2.819	3.256	4	1-1546311-9
2.819	3.256	4	1546311-4
2.256	2.693	3	1546311-3
1.693	2.130	2	1546311-2
DIM B	DIM A	NO. OF POSN	BUCHANAN PART NO.

THIS DRAWING IS A CONTROLLED DOCUMENT.

DWN S SCHLEGEL	20AUG2002	STE TE Connectivity
CHK C RICHARD	8/20/02	
APVD C RICHARD	8/20/02	
PRODUCT SPEC		
APPLICATION SPEC		NAME .563 DBL ROW BARRIER STRIP W/ WASHER
WEIGHT -		SIZE A3 CAGE CODE 00779 DRAWING NO C-1546311 RESTRICTED TO -
CUSTOMER DRAWING		SCALE NTS SHEET 1 OF 1 REV F2

DIMENSIONS: INCHES	TOLERANCES UNLESS OTHERWISE SPECIFIED:
	0 PLC ± -
	1 PLC ± -
	2 PLC ± .01
	3 PLC ± .005
	4 PLC ± -
	ANGLES ± -
MATERIAL -	FINISH -

单击下面可查看定价，库存，交付和生命周期等信息

[>>TE Connectivity\(泰科\)](#)