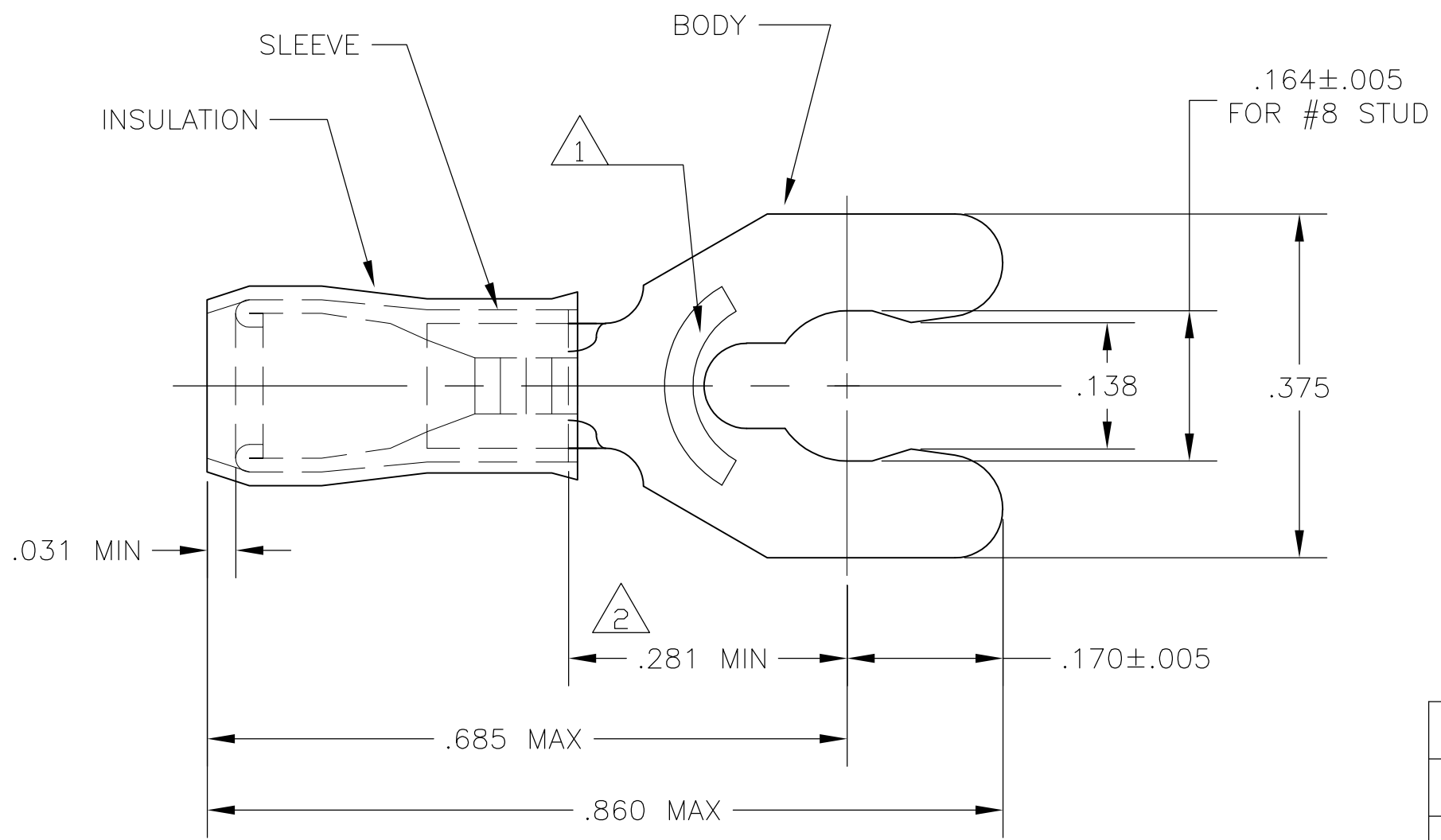


THIS DRAWING IS UNPUBLISHED. RELEASED FOR PUBLICATION
 © COPYRIGHT - By - ALL RIGHTS RESERVED.

LOC	DIST	REVISIONS					
G	14	P	LTR	DESCRIPTION	DATE	DWN	APVD
			J3	REVISED PER ECO-11-004917	11MAR11	RK	HMR



- 1 STAMP 8S AMP 22-18*, APPROX AS SHOWN. 22-16 TERMINALS ARE STAMPED 22-18 IN ACCORDANCE WITH MILITARY SPEC SAE-AS7928, COMMERCIAL WIRE RANGE IS 22-16.
- 2 APPLIES FROM EDGE OF METAL WIRE BARREL TO CENTER OF STUD HOLE.
- 3 TONGUE MATERIAL THK IS .031±.002
- 4 BODY - PHOS BRONZE PER ASTM B-103 SLEEVE - COPPER PER ASTM B-152 INSULATION - NYLON
- 5 BODY - TIN PLATE PER ASTM B545 SLEEVE - TIN PLATE PER ASTM B545 INSULATION - COLOR - RED

AMP WIRE RANGE	Listed FILE E13288	LR7189 Certified
22-16 AWG SOLID OR STRANDED	22-16 AWG SOLID OR STRANDED	22-16 AWG SOLID OR STRANDED

.080-.125	100	LOOSE PIECE, BOX	8-52930-1
.080-.125	BULK	LOOSE PIECE	8-52930-0
.105-.140	5000	ON TAPE, REEL	52930-3
.105-.140	1000	LOOSE PIECE	52930-2
.080-.125	5000	ON TAPE, REEL	52930-1
.080-.125	1000	LOOSE PIECE	52930
WIRE INSULATION OD	QTY	PACKAGE TYPE	PART NO

OBSOLETE

CUSTOMER SERVICE SYSTEMS		MAX RECOMMENDED OPERATING TEMPERATURE: 105°C
FOR ADDITIONAL PRODUCT INFORMATION OR COPIES OF DRAWINGS AND TECHNICAL DOCUMENTS	PRODUCT INFORMATION CENTER 1-800-522-6752	VOLTAGE RATING: 300 V MAX
FOR APPLICATION TOOLING INFORMATION	TOOLING ASSISTANCE CENTER 1-800-722-1111	CIRCULAR MIL AREA: 0.26-1.65mm ² [509-3260] SOLID OR STRANDED
FOR ORDER ENTRY	1-800-526-5142	THIS DRAWING IS A CONTROLLED DOCUMENT FOR AMP INCORPORATED. IT IS SUBJECT TO CHANGE AND THE CONTROLLING ENGINEERING ORGANIZATION SHOULD BE CONTACTED FOR THE LATEST REVISION.

THIS DRAWING IS A CONTROLLED DOCUMENT.	
DIMENSIONS: INCHES	TOLERANCES UNLESS OTHERWISE SPECIFIED:
	0 PLC ± -
	1 PLC ± -
	2 PLC ± -
	3 PLC ± .008
	4 PLC ± -
	ANGLES ± 5'
MATERIAL	FINISH

DWN jr_ruth 18MAR10	TE Connectivity		
CHK T MICHELUTTI 18MAR10	NAME TERMINAL, SHORT SPRING SPADE, PIDG, WIRE SIZE: 22-16 AWG		
APVD T MICHELUTTI 18MAR10	SIZE	CAGE CODE	DRAWING NO
PRODUCT SPEC	A3	00779	C-52930
APPLICATION SPEC	RESTRICTED TO	SCALE	SHEET
WEIGHT	-	6:1	1 OF 1
CUSTOMER DRAWING		REV	J3

单击下面可查看定价，库存，交付和生命周期等信息

[>>TE Connectivity\(泰科\)](#)