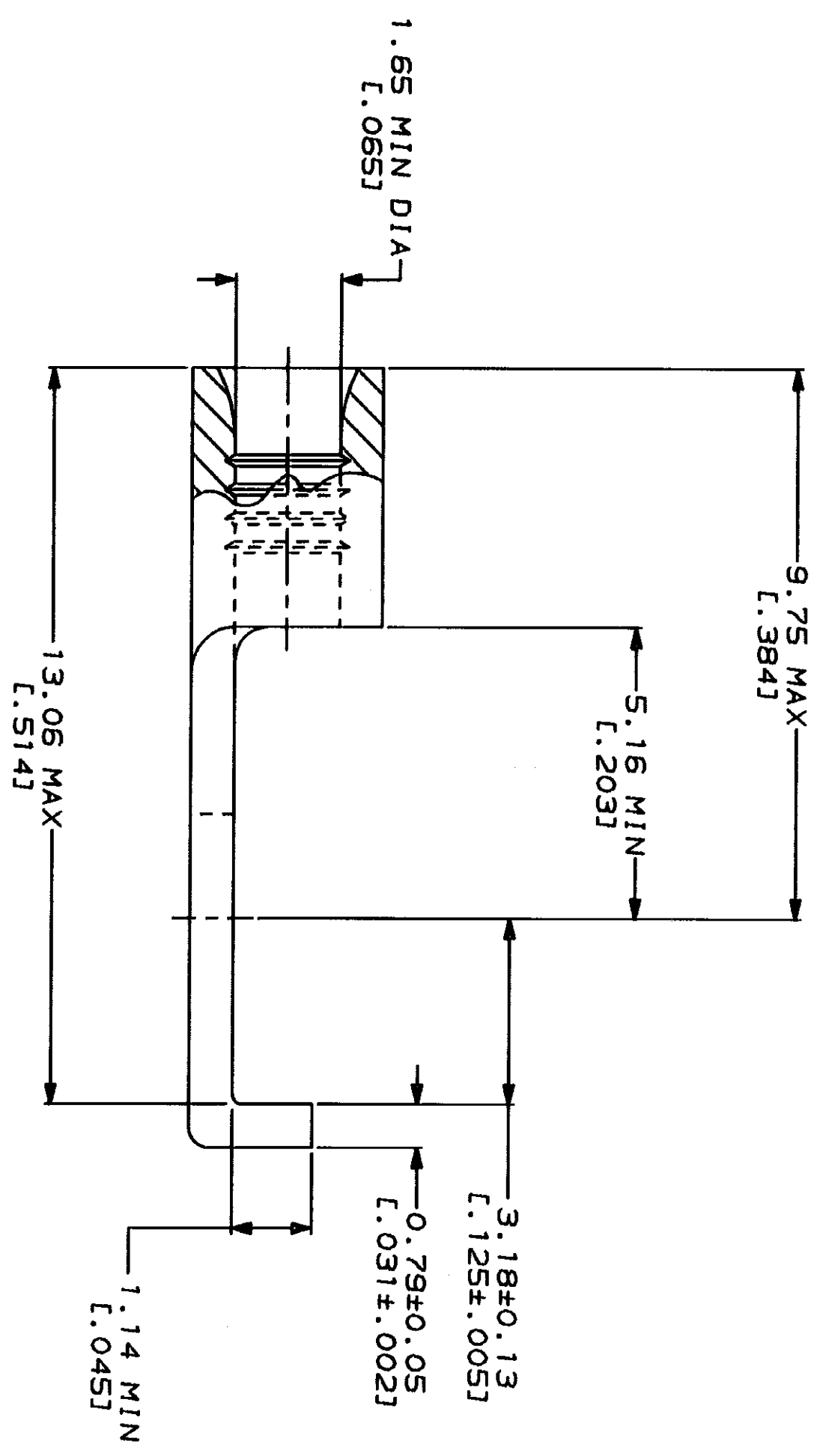
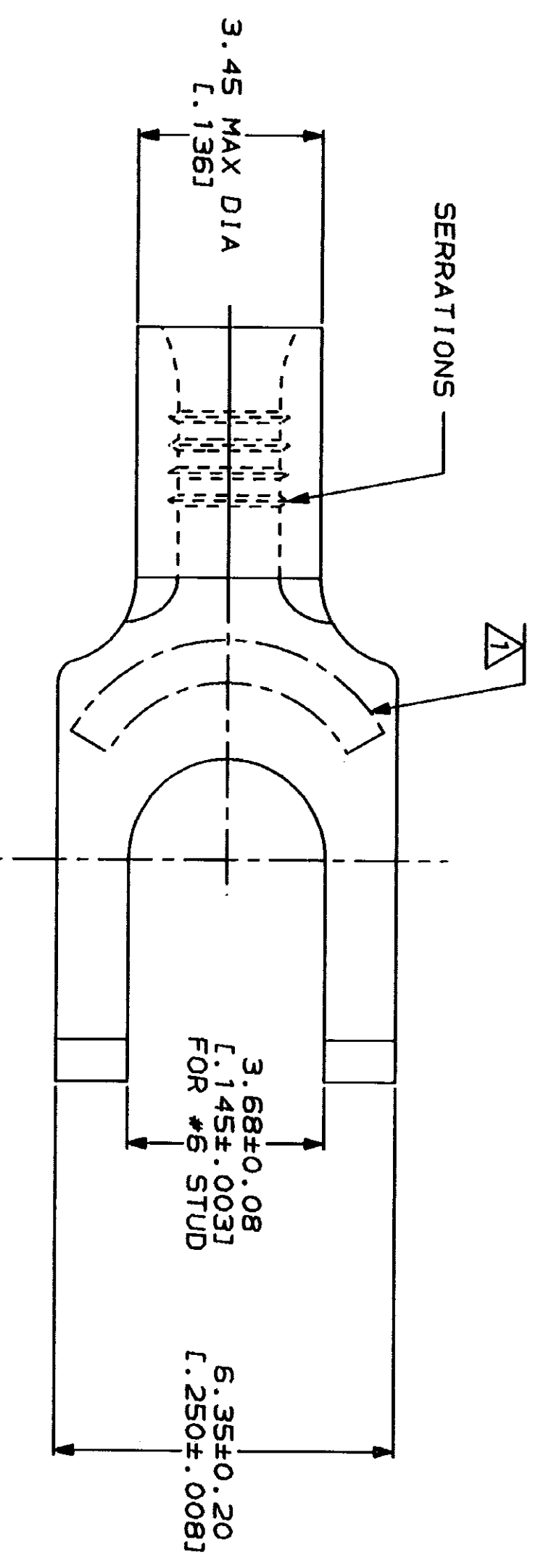


LOC	DIST	ZONE	LTR	DESCRIPTION	DATE	APPD
G	14	A		REVISED PER 0720-0230-93	2/28/94	DAP

METRIC
 DIMENSIONS LISTED IN MM [INCHES]

AMP WIRE RANGE	UL E13288 Listed
22-16 AWG STRANDED	22-16 AWG STRANDED
LR7189 Certified	MILITARY P/N AND CLASS
NOT CERTIFIED	NOT APPLICABLE

STAMP AMP 22-18* APPROX AS SHOWN
 22-16 TERMINALS ARE STAMPED 22-18 IN
 ACCORDANCE WITH MILITARY SPECIFICATION
 MIL-T-7928, COMMERCIAL WIRE RANGE IS 22-16



AMP INCORPORATED
 CUSTOMER SERVICE SYSTEMS

FOR ADDITIONAL
 PRODUCT INFORMATION OR
 COPIES OF DRAWINGS
 AND TECHNICAL DOCUMENTS
 FOR APPLICATION
 TOOLING INFORMATION
 FOR ORDER ENTRY

PRODUCT INFORMATION CENTER
 1-800-522-6752
 TOOLING ASSISTANCE CENTER
 1-800-722-1111
 1-800-526-5142

MAX RECOMMENDED OPERATING
 TEMPERATURE:
 170°C MAX

VOLTAGE RATING:
 NOT APPLICABLE

WIRE CROSS SECTIONAL AREA RANGE:
 0.26-1.65mm² [509-3,260] CIR MILS
 STRANDED

FINISH:
 TIN PLATE
 0.00254L [0.00100] MIN
 THK PER MIL-T-10727

DR 3-2-93
 TA BRINKMAN

CHK 3-2-93
 DA PATTERSON

APPD 3-2-93
 DE MILLER

APPD 3-2-93
 JL NECKLEY

AMP
 AMP Incorporated
 Harrisburg, PA 17105-3508

TERMINAL, FLANGED
 SPADE, BUDGET

SIZE CAGE CODE DRAWING NO
 00779 322776

单击下面可查看定价，库存，交付和生命周期等信息

[>>TE Connectivity\(泰科\)](#)