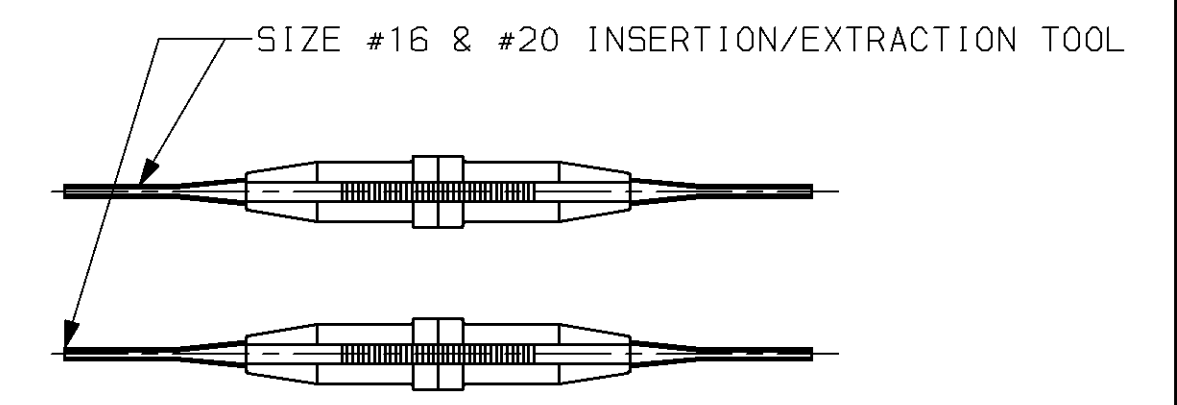
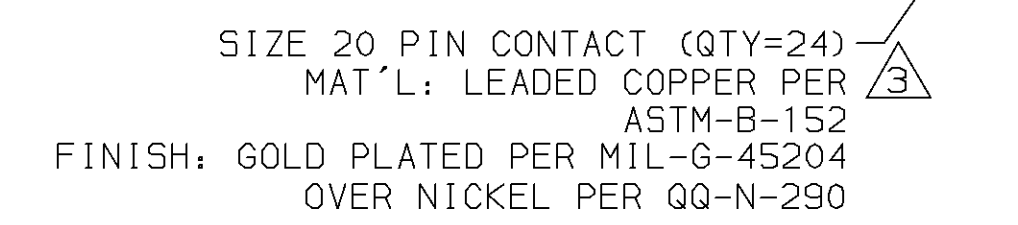
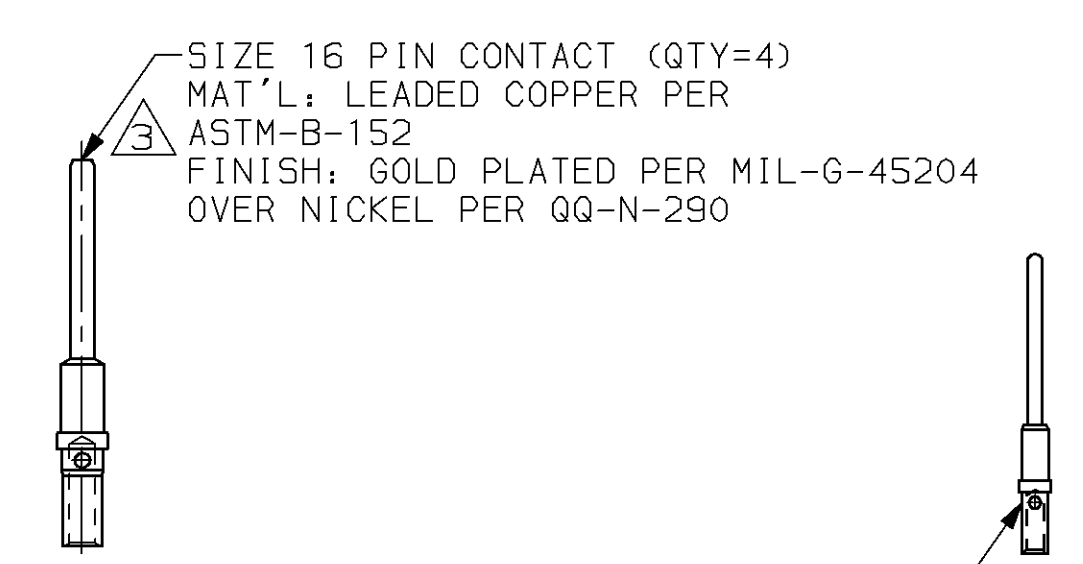
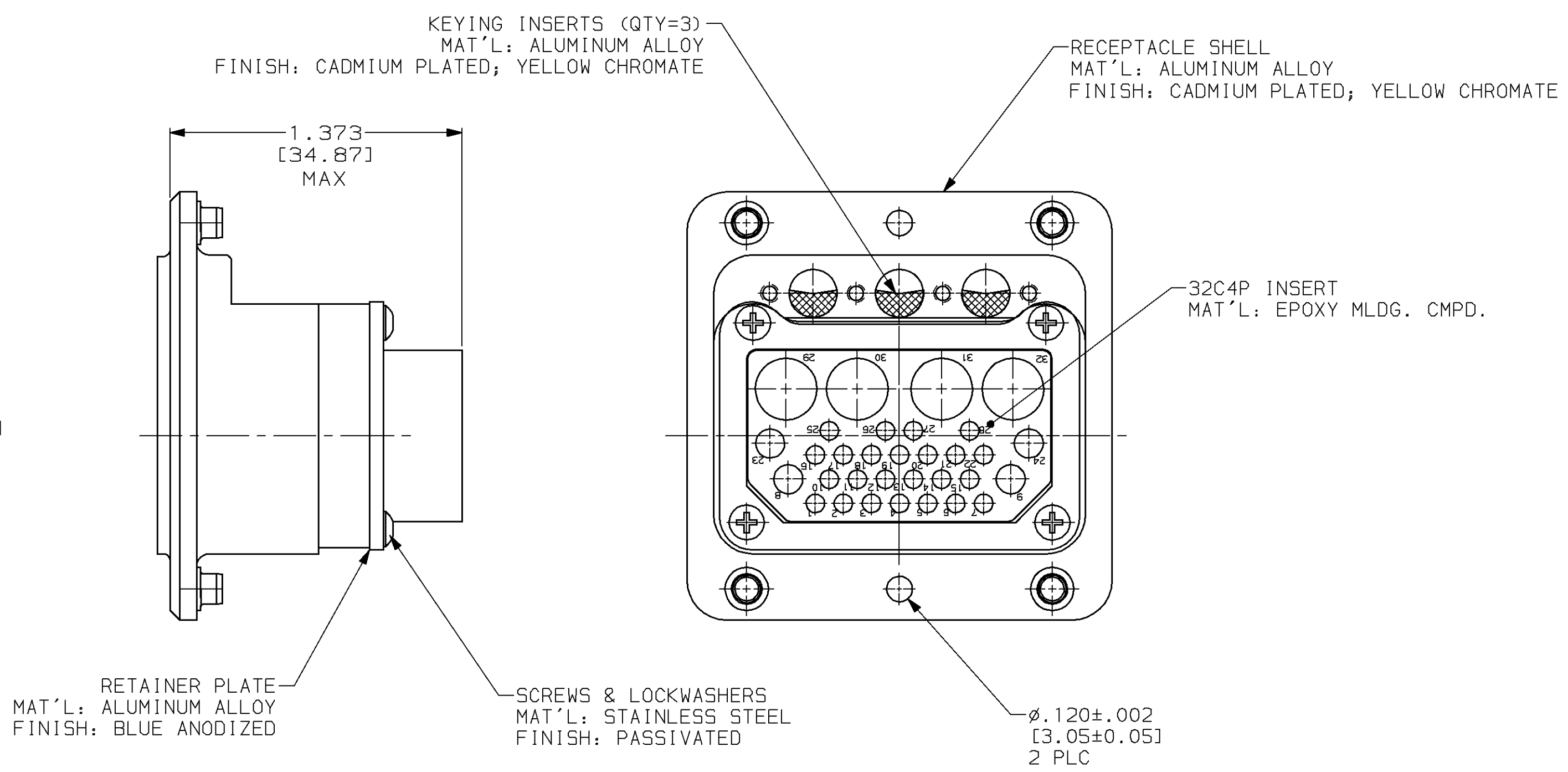
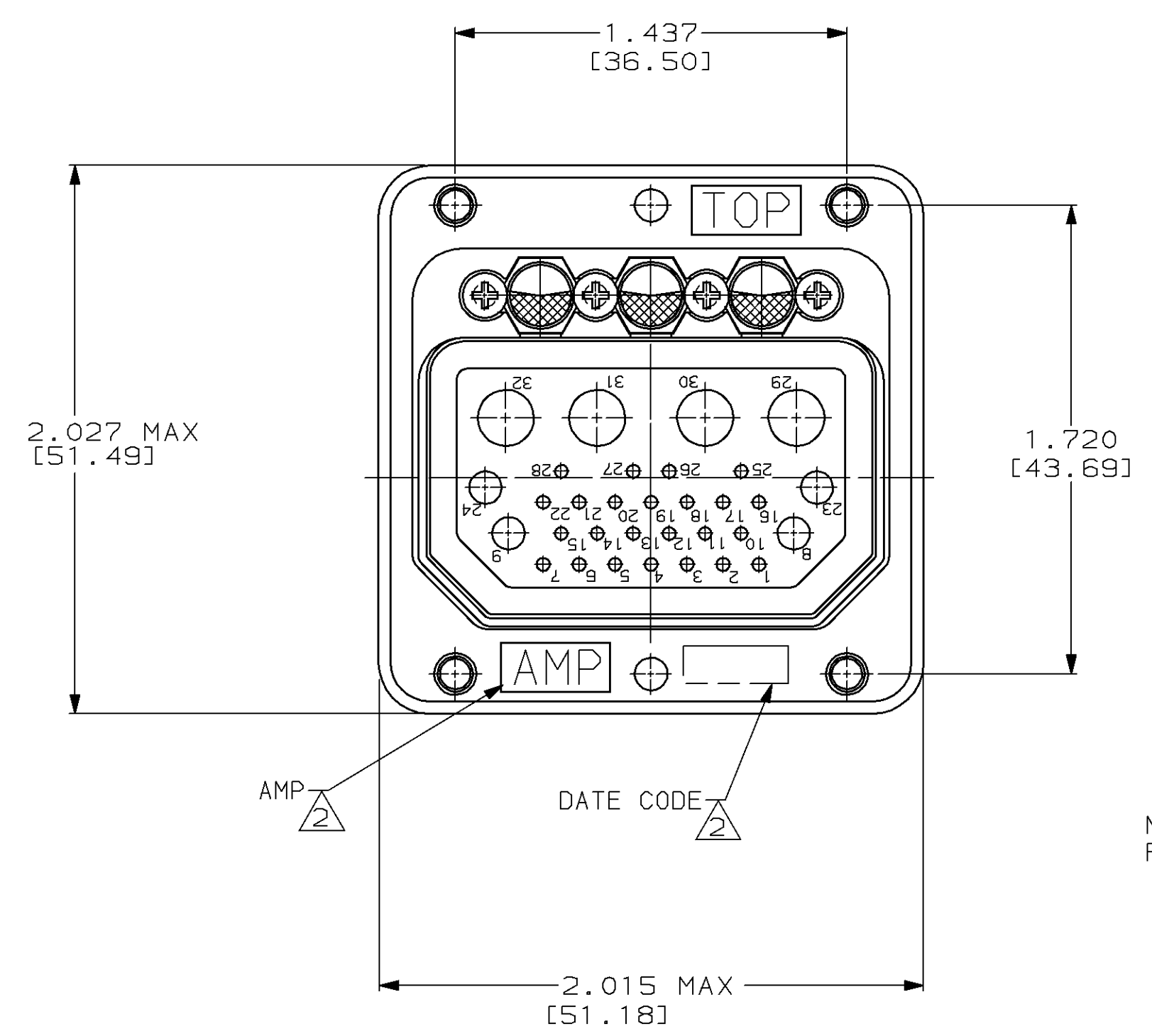
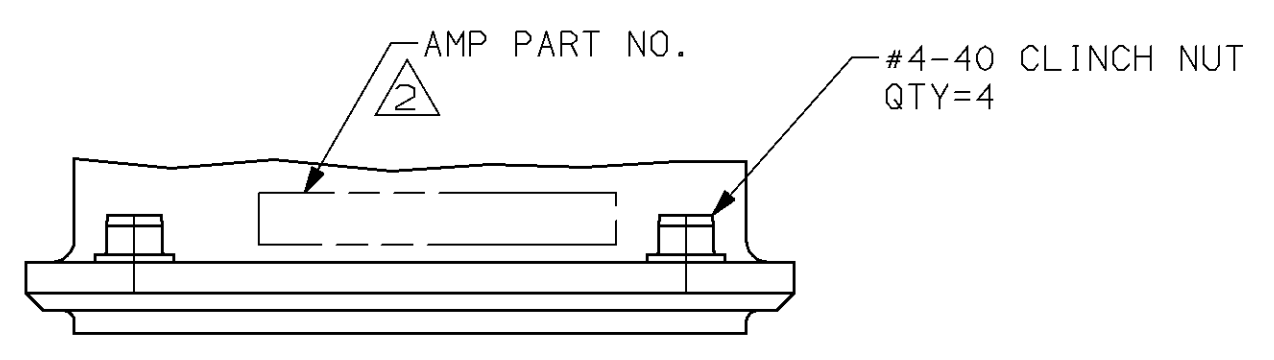


LOC		DIST		REVISIONS			
P	LTR	DESCRIPTION	DATE	DMN	APVD		
A		REV PER 0600-7485-98	5-98	CT	JW		



- KEYING ASSEMBLED IN POSITION 01.
- △ AMP, AMP PART NO. AND DATE CODE MARKED IN AREA SHOWN.
 - △ CONTACTS ARE PACKAGED IN A SEPARATE CONTAINER AND SHIPPED WITH CONNECTOR. COAX CONTACTS MUST BE ORDERED SEPARATELY.

1218039-1
 PART NUMBER

THIS DRAWING IS A CONTROLLED DOCUMENT.		DMN C. C. THOMAS 5-19-98	AMP Incorporated Harrisburg, PA 17105-3508	
DIMENSIONS: INCHES (MM)		CHK J. WEAVER 5-19-98	AMP/ID J. WEAVER 5-19-98	
TOLERANCES UNLESS OTHERWISE SPECIFIED:		NAME RECEPTACLE ASSY, ARINC 404 RM1R32C4P-0101		
0 PLC ±	1 PLC ±	PRODUCT SPEC		
2 PLC ±	3 PLC ±.005 (0.13)	APPLICATION SPEC		
4 PLC ±	ANGLES ±	SIZE CAGE CODE DRAWING NO A1 00779 C=1218039		
MATERIAL SEE CALLOUTS		FINISH SEE CALLOUTS		RESTRICTED TO CUSTOMER DRAWING
WEIGHT		SCALE 2:1		SHEET 1 OF 1
REV A				

单击下面可查看定价，库存，交付和生命周期等信息

[>>TE Connectivity\(泰科\)](#)