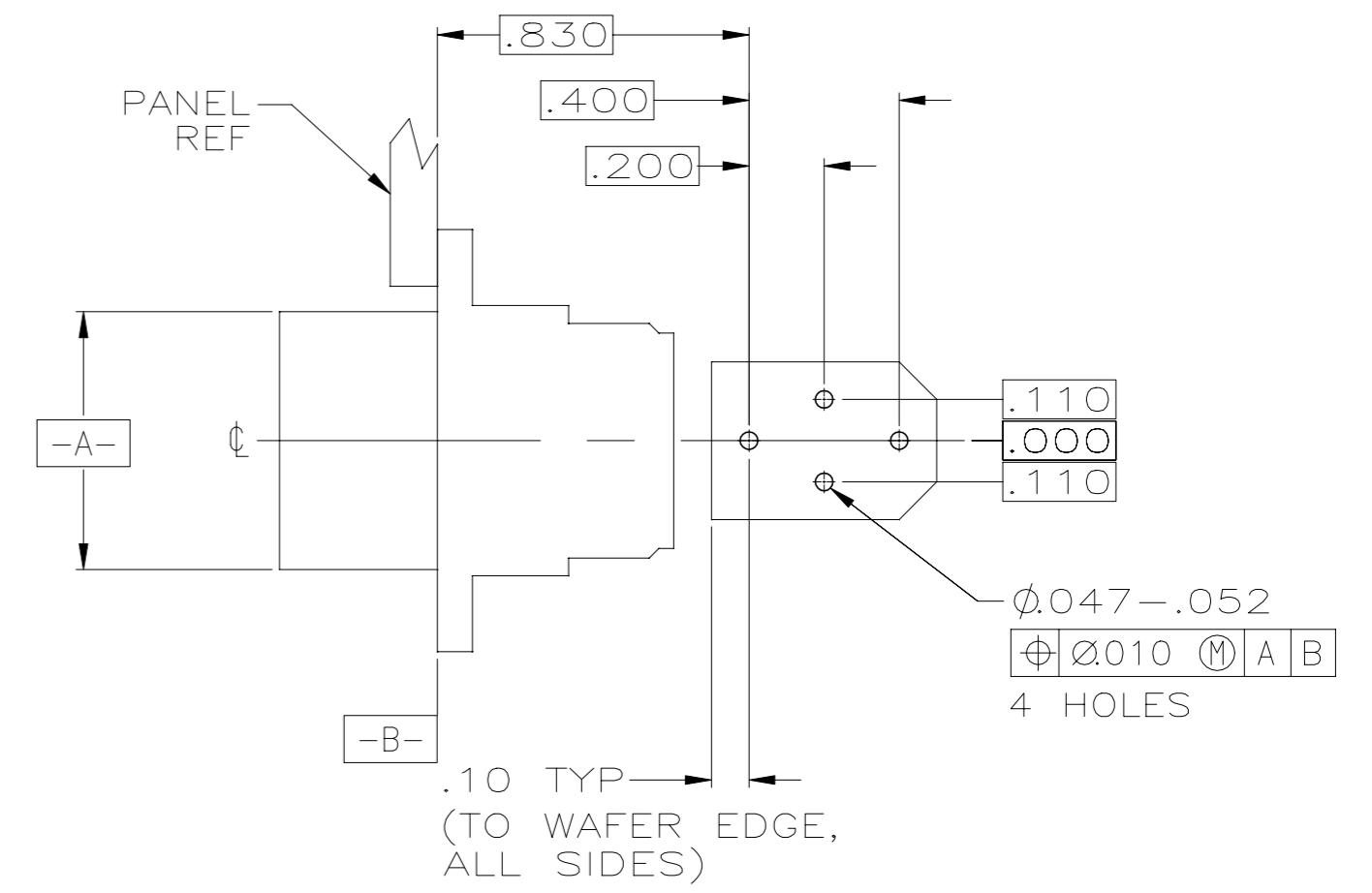
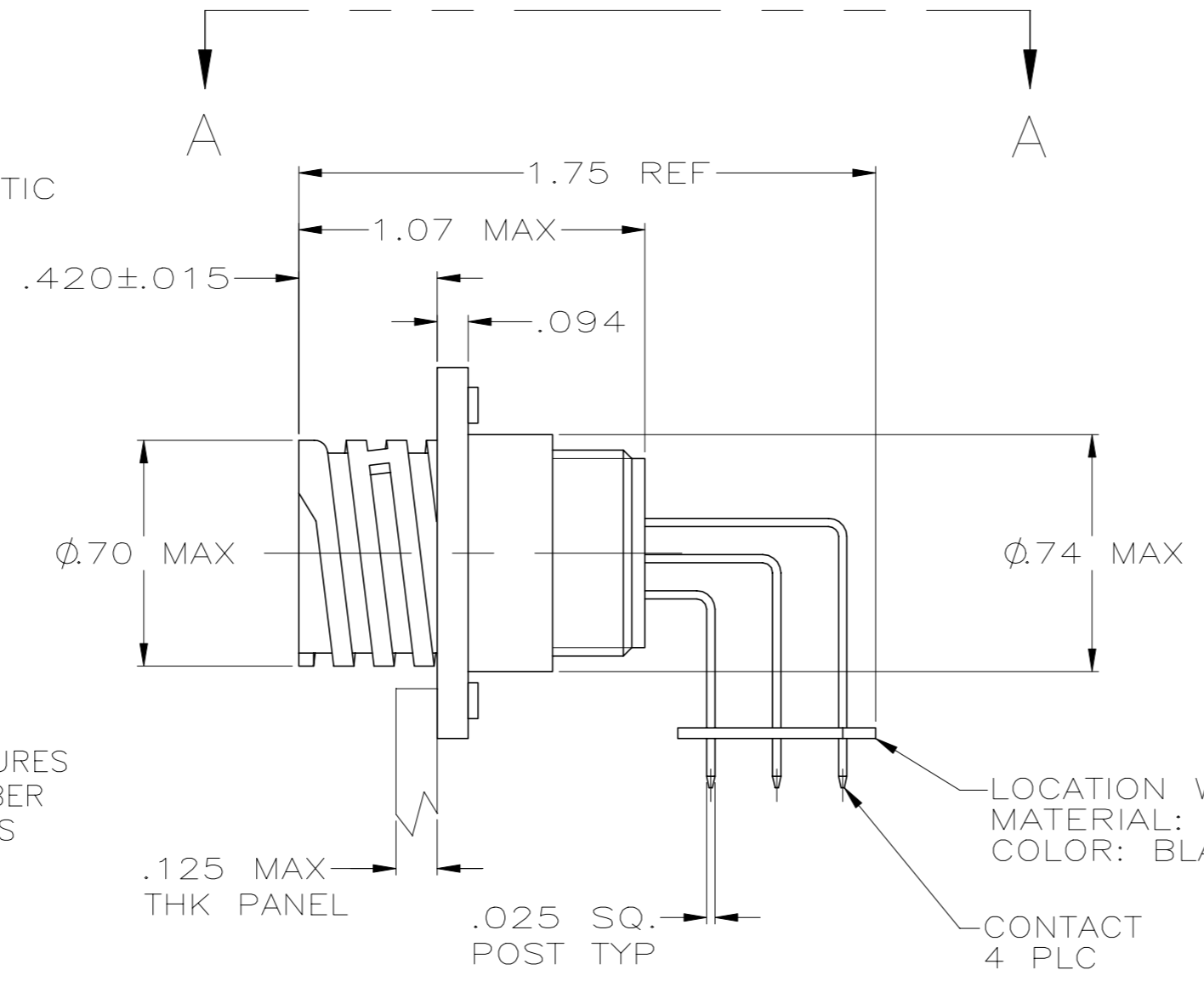
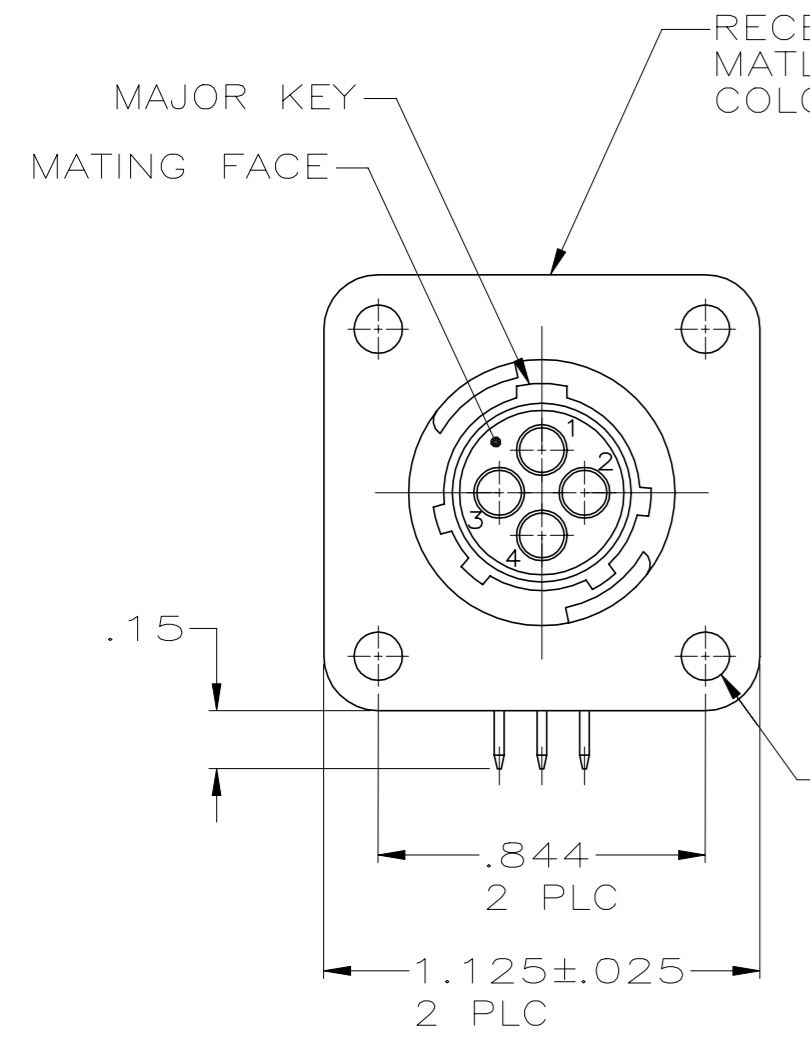
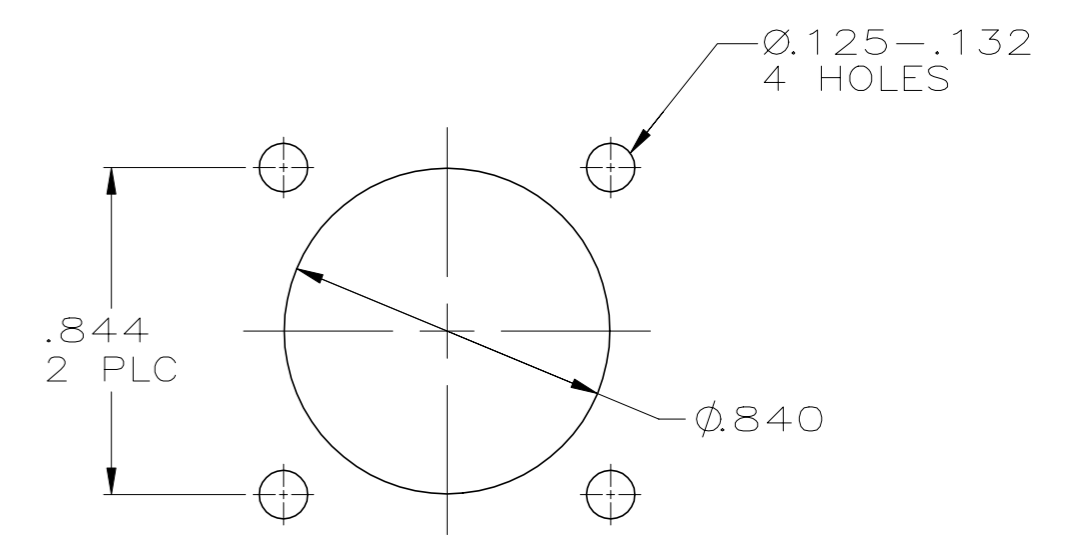


REVISIONS					
P	LTR	DESCRIPTION	DATE	DWN	APVD
B		REVISED PER 0G3B-0100-05	5/4/05	SS	HW
B1		REVISED PER ECO-20-012644	09SEP2020	SG	MZ



VIEW A-A
RECOMMENDED PC BOARD LAYOUT



RECOMMENDED
PANEL CUTOUT

- CONTACT CAVITIES IDENTIFIED BY CHARACTERS ON FRONT AND REAR FACES OF CONNECTOR.
- #4 FASTENER RECOMMENDED FOR MOUNTING.
- CONTACT BODY: .000030 MIN GOLD FOR A LENGTH OF .200 MIN FROM MATING END, WITH REMAINDER TO BE GOLD FLASH, BOTH OVER .000050 MIN NICKEL.
CONTACT POST: .000100 MIN TIN-LEAD OVER .000100 MIN COPPER.
- PC BOARD HOLE PATTERN IS DEFINED RELATIVE TO CONNECTOR C.L. AND PANEL MOUNTING FACE INDICATED.
- CONTACT BODY: .000030 MIN GOLD FOR A LENGTH OF .200 MIN FROM MATING END, WITH REMAINDER TO BE GOLD FLASH, BOTH OVER .000050 MIN NICKEL.
CONTACT POST: .000100 MIN TIN OVER .000100 MIN COPPER.

#4-40 THREADED INSERTS, BRASS	5	1-796407-1
Ø.125±.005 HOLES	5	1-796407-1
Ø.125±.005 HOLES	3	796407-1
MOUNTING FEATURES	CONTACT FINISH	PART NUMBER

THIS DRAWING IS A CONTROLLED DOCUMENT.		DWN HAMNER 3-20-00	TE Connectivity																						
DIMENSIONS: INCHES		CHK M.CHACKO 3-23-00																							
TOLERANCES UNLESS OTHERWISE SPECIFIED:		APVD M.CHACKO 3-23-00	NAME RECEPTACLE ASSY, POSTED, RT ANGLE, RVS SEX, SIZE 11-4, SERIES 1, CPC																						
<table border="1"> <tr><td>0 PLC</td><td>±</td><td>-</td></tr> <tr><td>1 PLC</td><td>±</td><td>-</td></tr> <tr><td>2 PLC</td><td>±</td><td>.03</td></tr> <tr><td>3 PLC</td><td>±</td><td>.10</td></tr> <tr><td>4 PLC</td><td>±</td><td>-</td></tr> <tr><td>ANGLES</td><td>±</td><td>-</td></tr> <tr><td>FINISH</td><td>-</td><td>-</td></tr> </table>		0 PLC	±	-	1 PLC	±	-	2 PLC	±	.03	3 PLC	±	.10	4 PLC	±	-	ANGLES	±	-	FINISH	-	-	APPLICATION SPEC	SIZE A2	CAGE CODE 00779
0 PLC	±	-																							
1 PLC	±	-																							
2 PLC	±	.03																							
3 PLC	±	.10																							
4 PLC	±	-																							
ANGLES	±	-																							
FINISH	-	-																							
MATERIAL	-	WEIGHT	DRAWING NO C-796407	RESTRICTED TO																					
CUSTOMER DRAWING			SCALE 2:1	SHEET 1 OF 1																					
			REV B1																						

单击下面可查看定价，库存，交付和生命周期等信息

[>>TE Connectivity\(泰科\)](#)