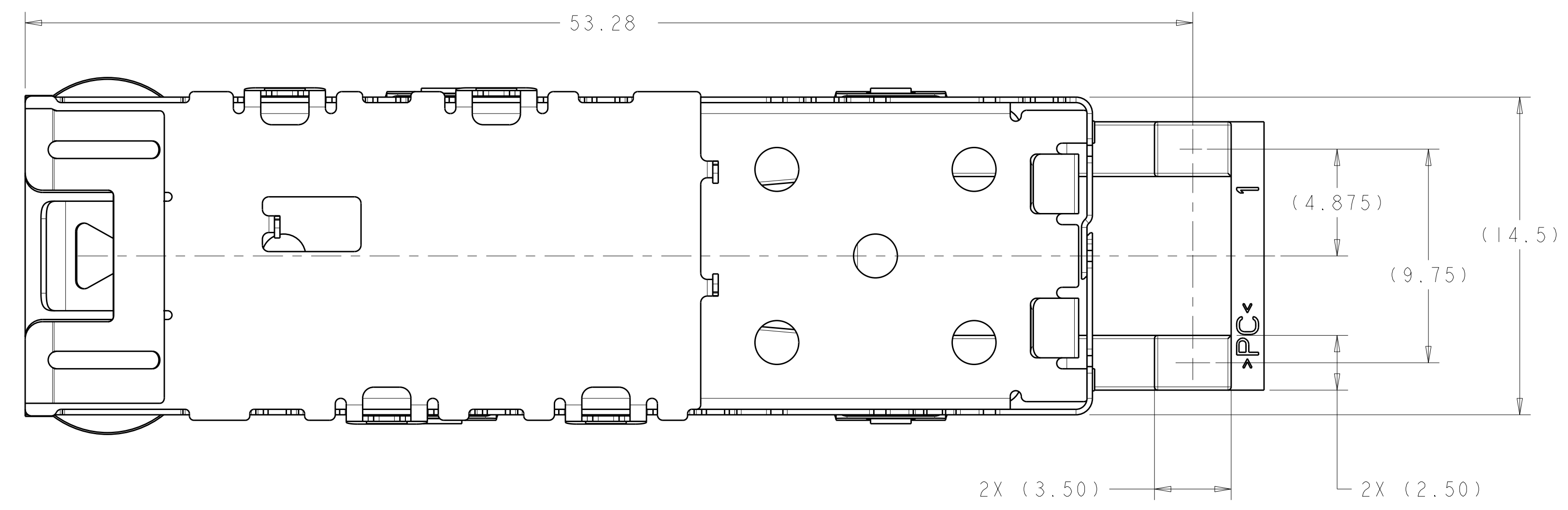
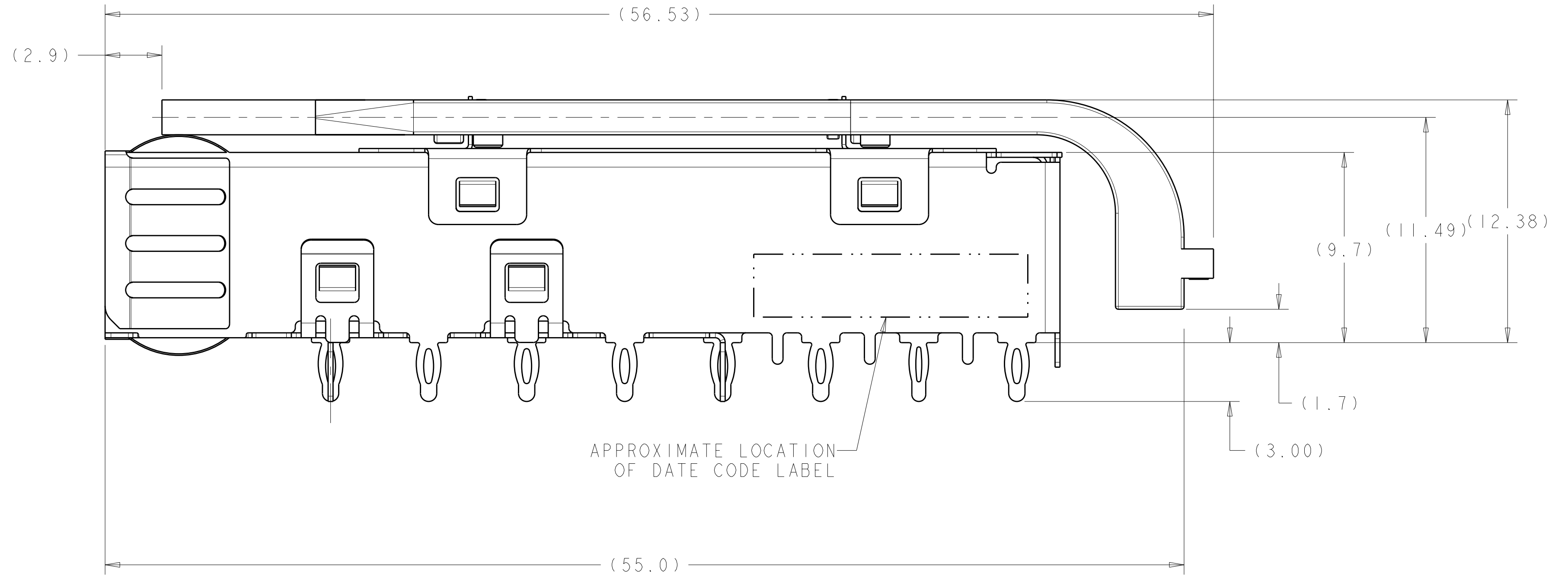
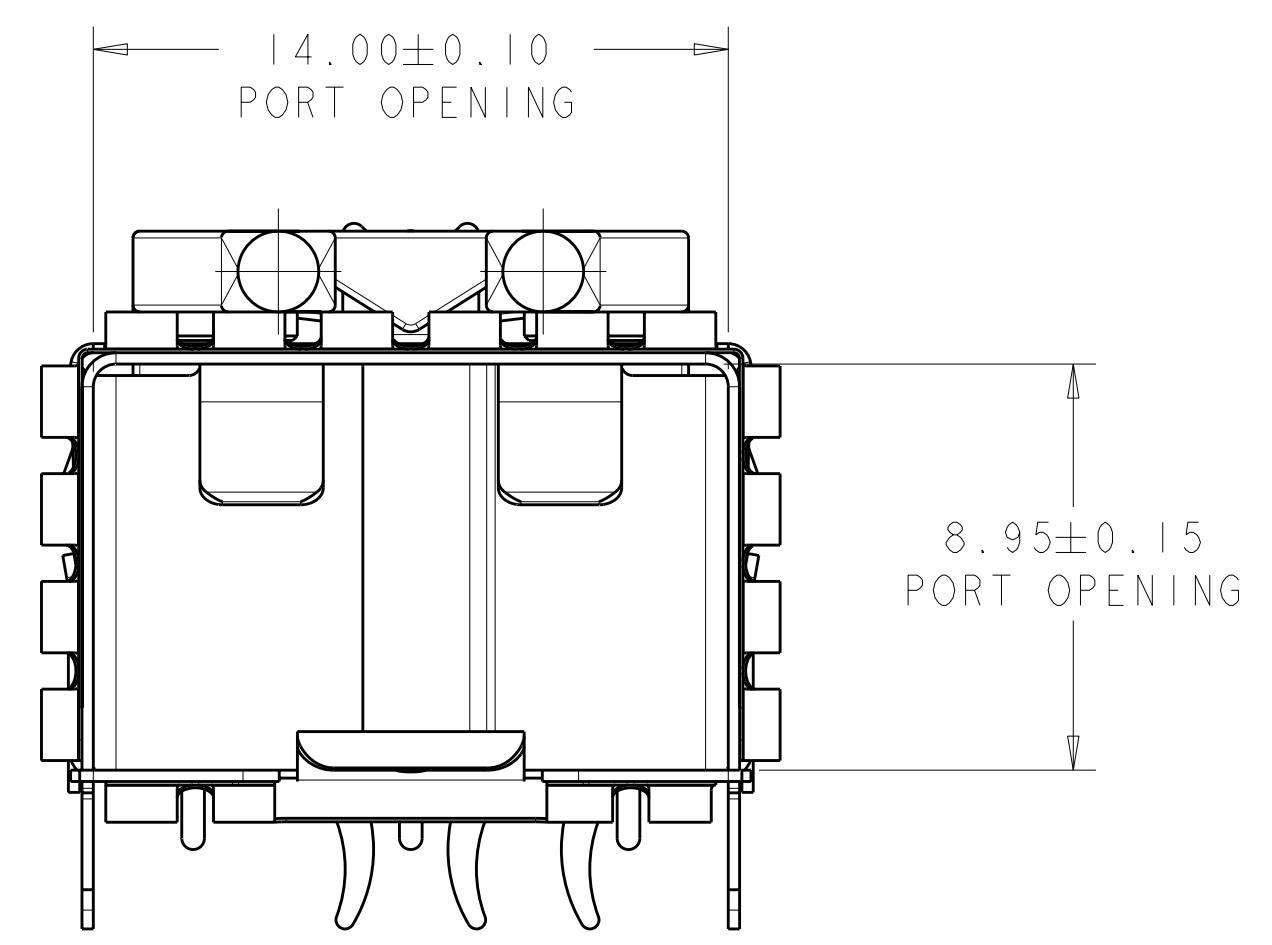
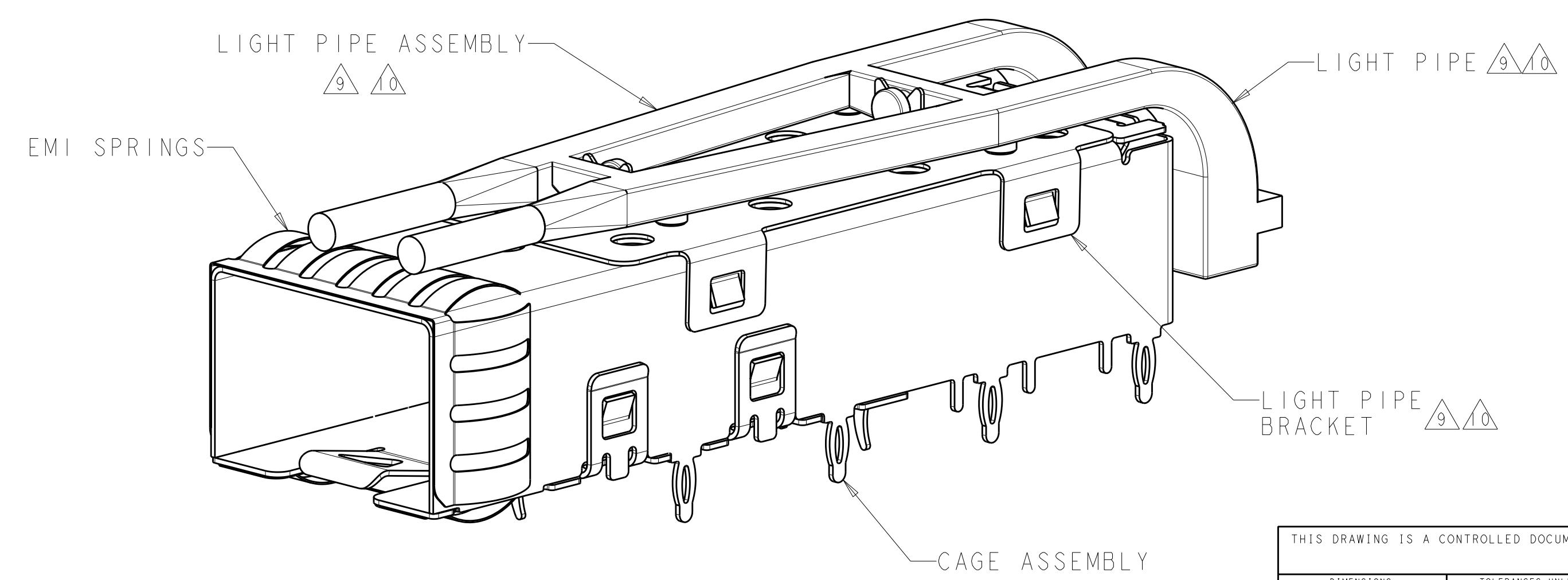


LOC	DIST	REV	DATE	BY	APPD
GP	00	1	18NOV2011	JY	AC
		2	28NOV2011	JY	AC



- 1 MATERIAL:
 CAGE ASSEMBLY - 0.25 THICK NICKEL-SILVER ALLOY.
 EMI SPRINGS - COPPER ALLOY.
 LIGHT PIPE - POLYCARBONATE, CLEAR.
 LIGHT PIPE BRACKET - STAINLESS STEEL.
- 2 FINISH:
 EMI SPRINGS - 0.8um MIN MATTE TIN OVER 0.8um MIN NICKEL
 NON-PLATED EDGES PERMISSIBLE.
- 3. MATES WITH SFP MSA COMPLIANT TRANSCEIVERS.
- 4 PADS AND VIAS CHASSIS GROUND.
- 5 DATUM AND BASIC DIMENSION ESTABLISHED BY CUSTOMER.
- 6. MINIMUM PC BOARD THICKNESS:
 SINGLE SIDED: 1.50mm
 DOUBLE SIDED: 3.00mm
- 7 REFERENCE APPLICATION SPEC. 114-13120, HOLE A, FOR
 RECOMMENDED DRILL HOLE DIAMETER AND PLATING THICKNESS.
- 8 REFERENCE APPLICATION SPEC. 114-13120, HOLE C, FOR
 RECOMMENDED DRILL HOLE DIAMETER AND PLATING THICKNESS.
 INTO PCB PRIOR TO ATTACHING THE LIGHTPIPE ASSEMBLY
 TO THE CAGE.
- 9 LIGHT PIPE ASSEMBLY SHIPPED UNASSEMBLED TO CAGE ASSEMBLY.
 CAGE ASSEMBLY TO BE PRESSED INTO PCB PRIOR TO ATTACHING
 THE LIGHT PIPE ASSEMBLY TO THE CAGE.
- 10 LIGHT PIPE AND LIGHT PIPE BRACKET SHIPPED ASSEMBLED.



DESIGN APPROVED THIS PRINT IS
PRELIMINARY
 TO FIRST PIECE APPROVAL
 CONTACT PRODUCT ENGINEERING
 BEFORE USING THIS PRINT

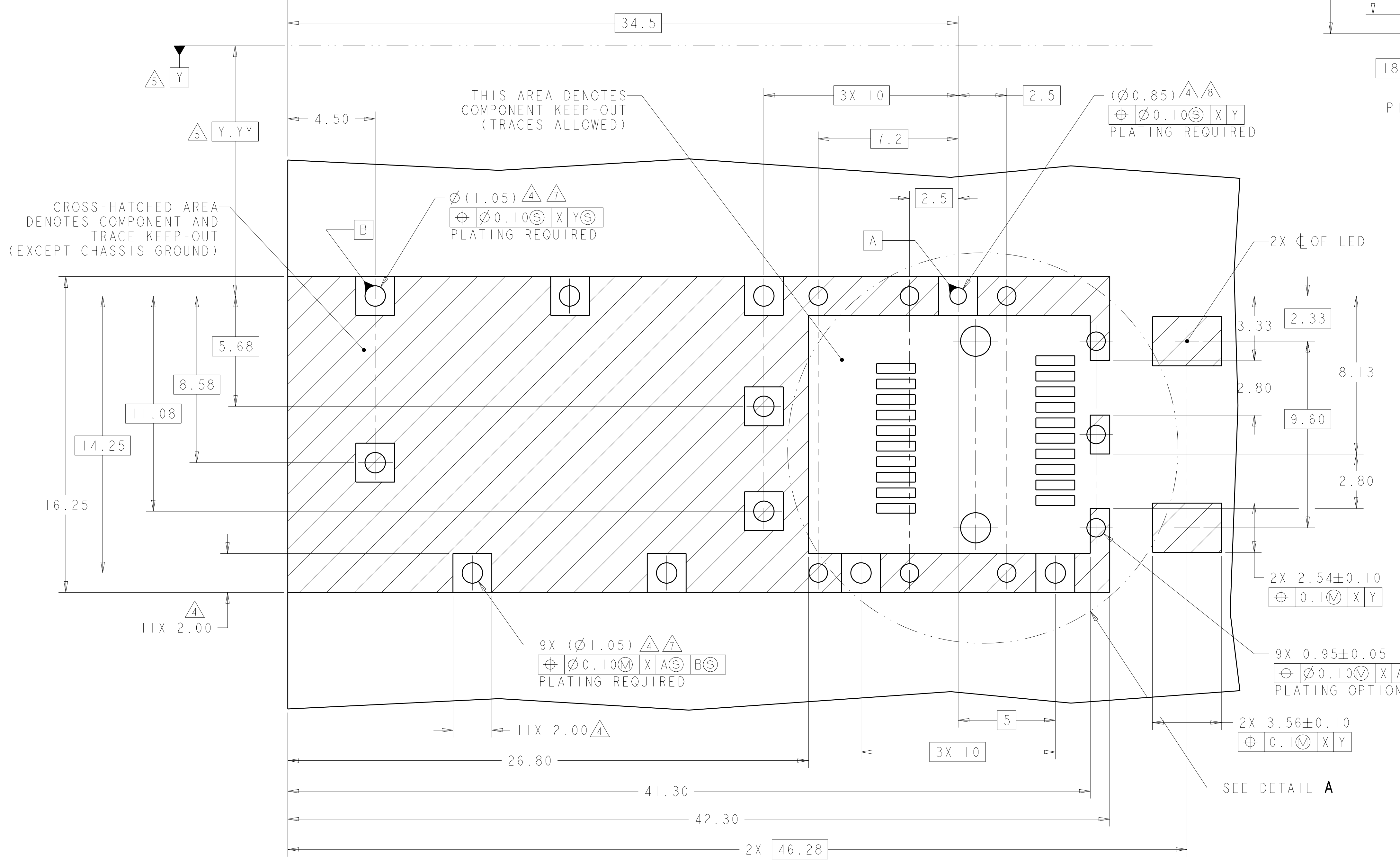
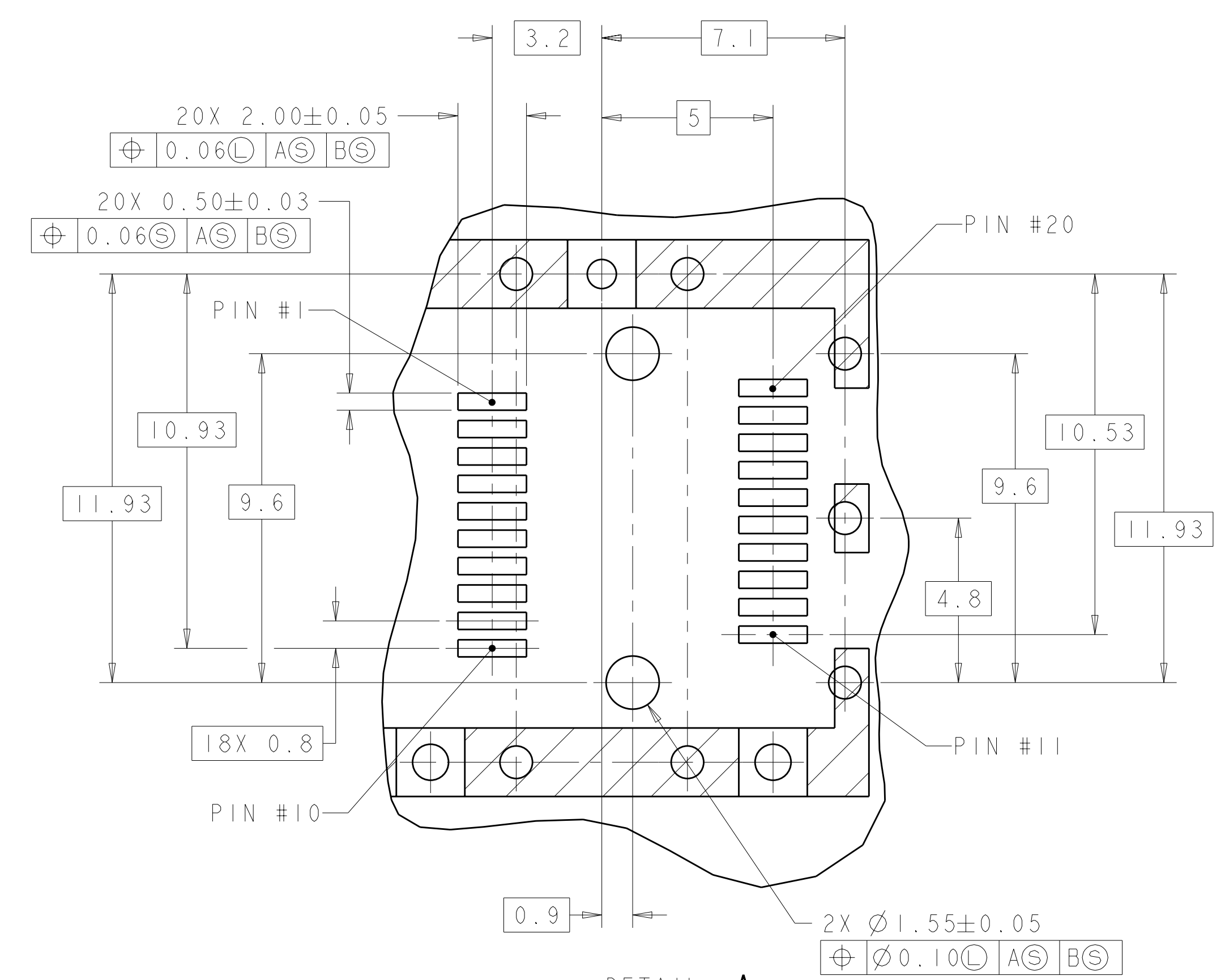
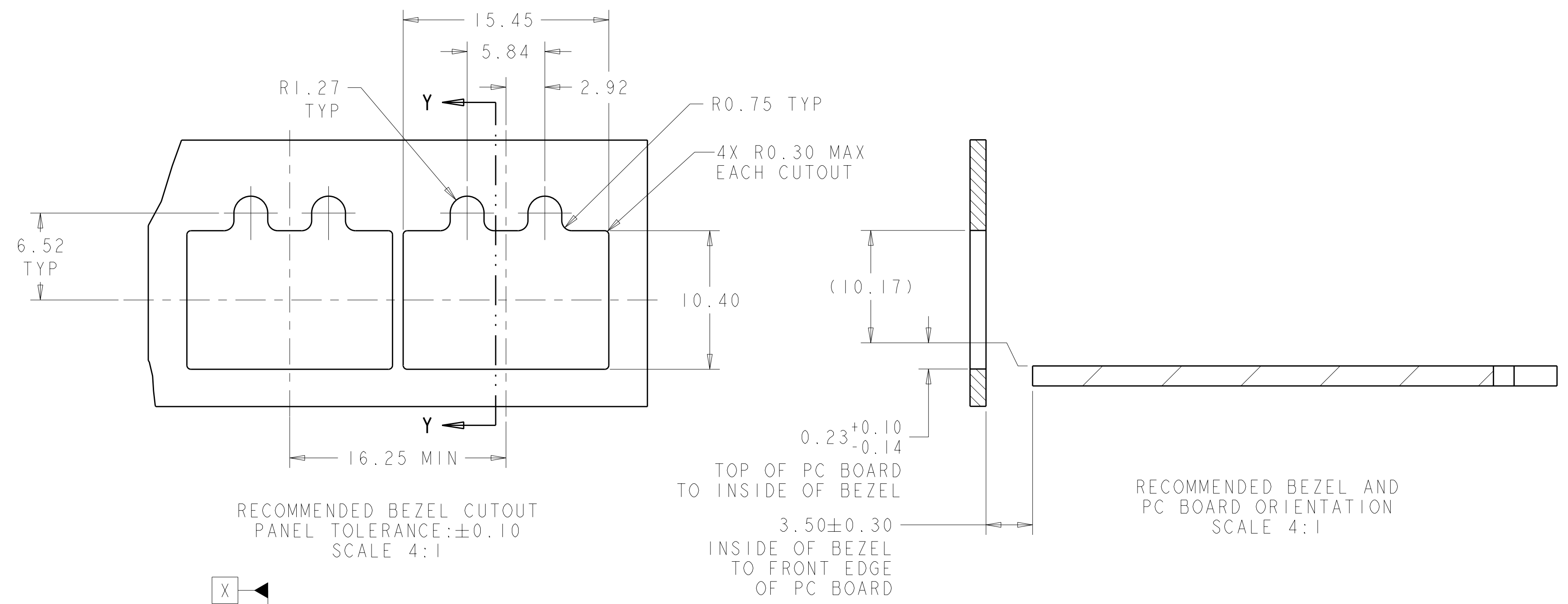
2170193-1
 PART
 NUMBER

2170193-1
 SHOWN ASSEMBLED
 SCALE 5:1

THIS DRAWING IS A CONTROLLED DOCUMENT.		DRN: JASON YANG 18NOV2011	TE Connectivity
DIMENSIONS: mm		CHK: ALEX CAI 18NOV2011	
TOLERANCES UNLESS OTHERWISE SPECIFIED:		APPD: ALEX CAI 18NOV2011	NAME: SFP+ IXI CAGE ASSEMBLY PRESS-FIT, EXTERNAL EMI SPRINGS, WITH LIGHT PIPES
9 PLC ±0.2	1 PLC ±0.2	PRODUCT SPEC: 108-2364	SIZE: CAGE CODE DRAWING NO: A100779C=2170193
5 PLC ±0.2	4 PLC ±	APPLICATION SPEC: 114-13120	RESTRICTED TO: -
ANGLES ±	FINISH	WEIGHT: -	SCALE: 3:1 SHEET 1 OF 2 REV 2
MATERIAL	FINISH	CUSTOMER DRAWING	

LOC	DIST	REV	DATE	BY	APPD
GP	00				

REVISIONS		DATE	BY	APPD
1	SEE SHEET 1			



RECOMMENDED PCB LAYOUT
PCB TOLERANCE: ±0.05
SCALE 8:1

THIS DRAWING IS A CONTROLLED DOCUMENT.		DWN: JASON YANG 18NOV2011	TE Connectivity
DIMENSIONS: mm		CHK: ALEX CAI 18NOV2011	
TOLERANCES UNLESS OTHERWISE SPECIFIED:		APVD: ALEX CAI 18NOV2011	NAME: SFP+ 1X1 CAGE ASSEMBLY PRESS-FIT, EXTERNAL EMI SPRINGS, WITH LIGHT PIPES
9 PLC ±0.2		PRODUCT SPEC: 108-2364	SIZE: CAGE CODE DRAWING NO: A100779C=2170193
1 PLC ±0.2		APPLICATION SPEC: 114-13120	RESTRICTED TO: -
5 PLC ±0.2		WEIGHT: -	SCALE: 3:1 SHEET: 2 OF 2 REV: 2
4 PLC ±		CUSTOMER DRAWING	
ANGLES ±			
FINISH: -			

单击下面可查看定价，库存，交付和生命周期等信息

[>>TE Connectivity\(泰科\)](#)