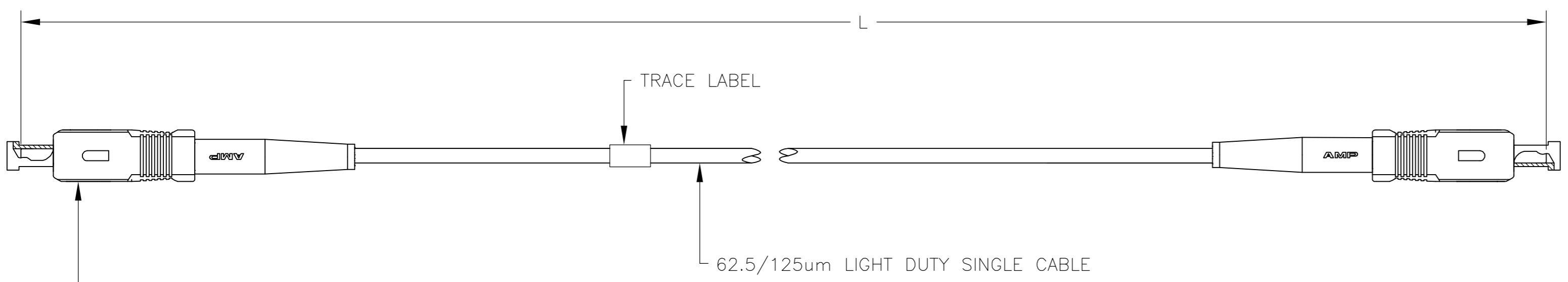


THIS DRAWING IS UNPUBLISHED. RELEASED FOR PUBLICATION
 © COPYRIGHT BY TYCO ELECTRONICS CORPORATION. ALL RIGHTS RESERVED.

| LOC | DIST | REVISIONS | | | |
|-----|------|-------------|------------------|-----------|--------|
| P | LTR | DESCRIPTION | DATE | DWN | APVD |
| CE | 16 | A | RELEASED PER NPR | 01 FEB 06 | CSV JD |

1. DIMENSIONS IN [] ARE IN INCHES.
2. MAXIMUM INSERTION LOSS IS 0.5d PLUS CABLE ATTENUATION OF 1.5dB/km AT 1300nm.
3. PRODUCT AND PROCESSING MUST MEET REQUIREMENTS OF THE TYCO ELECTRONICS STANDARD 230-702



| | | |
|------|-----------------------|-------------|
| 3.50 | 2000±20 [78740±787] | 9-5504970-9 |
| 1.33 | 550±5 [21653±197] | 9-5504970-8 |
| 0.52 | 12.80±0.15 [504±6] | 1-5504970-4 |
| 0.51 | 6.70±0.08 [264±3] | 1-5504970-3 |
| 0.50 | 4.00±0.08 [157.5±3.0] | 1-5504970-2 |
| 0.52 | 13.72±0.15 [540±6] | 1-5504970-1 |
| 0.52 | 12.19±0.15 [480±6] | 1-5504970-0 |
| 0.52 | 10.67±0.15 [420±6] | 5504970-9 |
| 0.51 | 6.1±0.08 [240±3] | 5504970-8 |
| 0.53 | 20±0.3 [787±12] | 5504970-7 |
| 0.52 | 15±0.15 [591±6] | 5504970-6 |
| 0.52 | 10±0.15 [394±6] | 5504970-5 |
| 0.51 | 5±0.08 [197±3] | 5504970-4 |
| 0.50 | 3±0.05 [118±2] | 5504970-3 |
| 0.50 | 2±0.05 [79±2] | 5504970-2 |
| 0.50 | 1±0.05 [39±2] | 5504970-1 |

| MAX IL (dB) | L | PART NUMBER |
|-------------|---|-------------|
|-------------|---|-------------|

| | | | | |
|---|--|-------------------------------|---|--------------------|
| THIS DRAWING IS A CONTROLLED DOCUMENT. | | DWN C.S.VASU 01 FEB 06 | Tyco Electronics Corporation Harrisburg, Pa 17105-3608 | |
| DIMENSIONS: METERS [INCHES] | | CHK J.DUNCAN 01 FEB 06 | | |
| TOLERANCES UNLESS OTHERWISE SPECIFIED: | | APVD J.DUNCAN 01 FEB 06 | NAME CABLE ASSY, FIBER OPTIC, 62.5/125µm LDS, AMP SC (NG) TO AMP SC (NG), OPTIMATE | |
| 0 PLC ± - 1 PLC ± - 2 PLC ± - 3 PLC ± - 4 PLC ± - ANGLES ± - FINISH - | | PRODUCT SPEC - | SIZE A2 | CAGE CODE 00779 |
| MATERIAL - | | WEIGHT - | DRAWING NO C=5504970 | RESTRICTED TO - |
| CUSTOMER DRAWING | | | SCALE NTS | SHEET 1 OF 1 |

单击下面可查看定价，库存，交付和生命周期等信息

[>>TE Connectivity\(泰科\)](#)