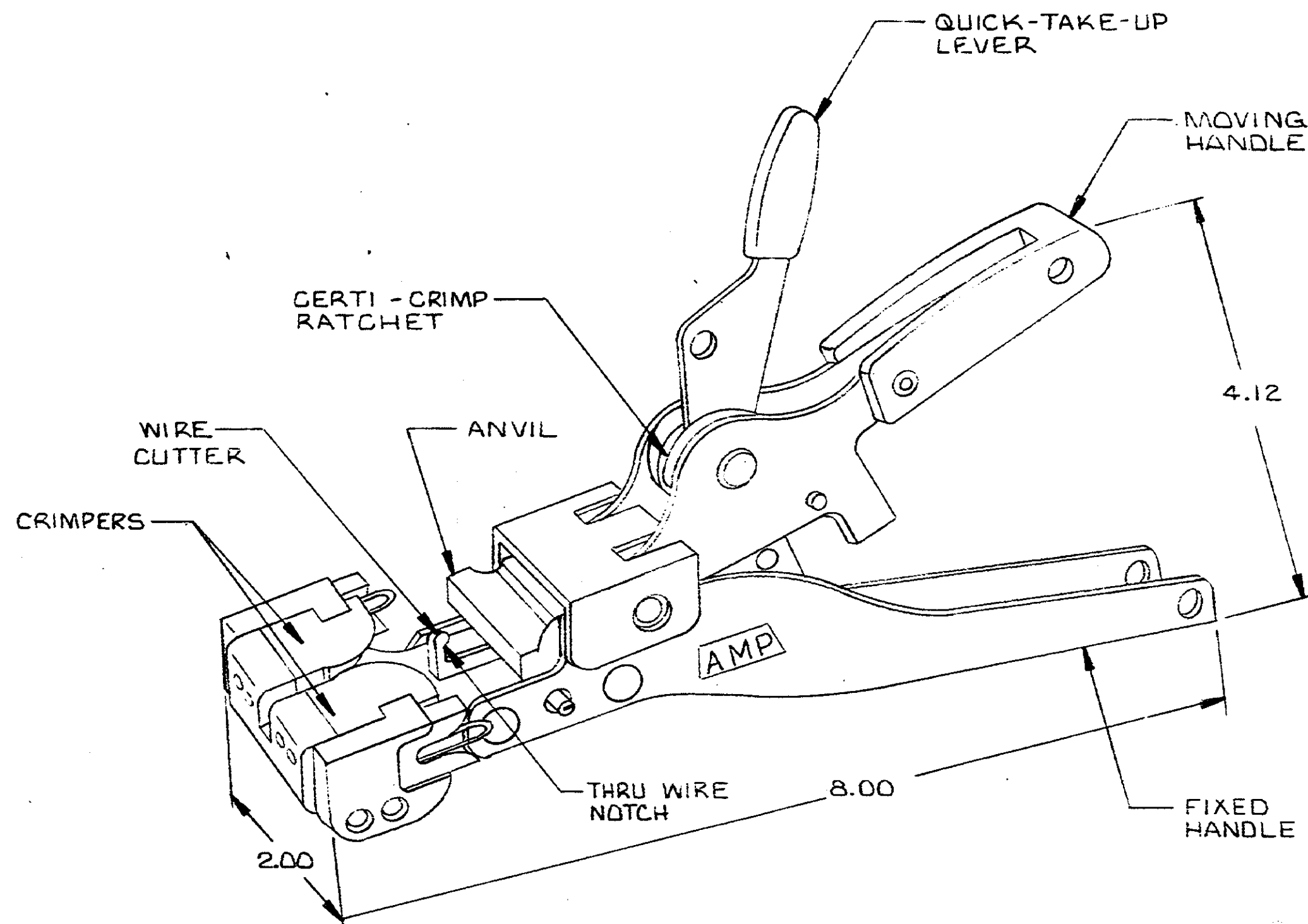
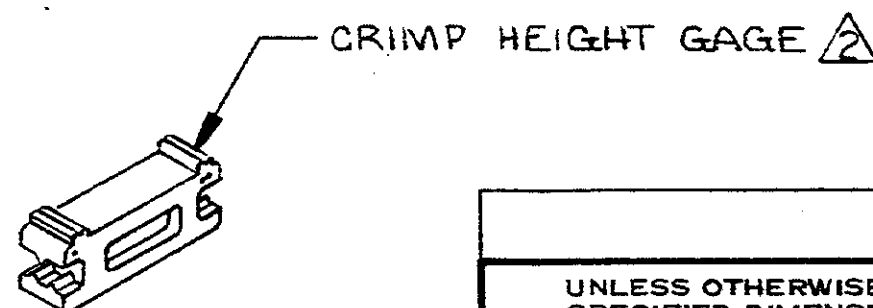
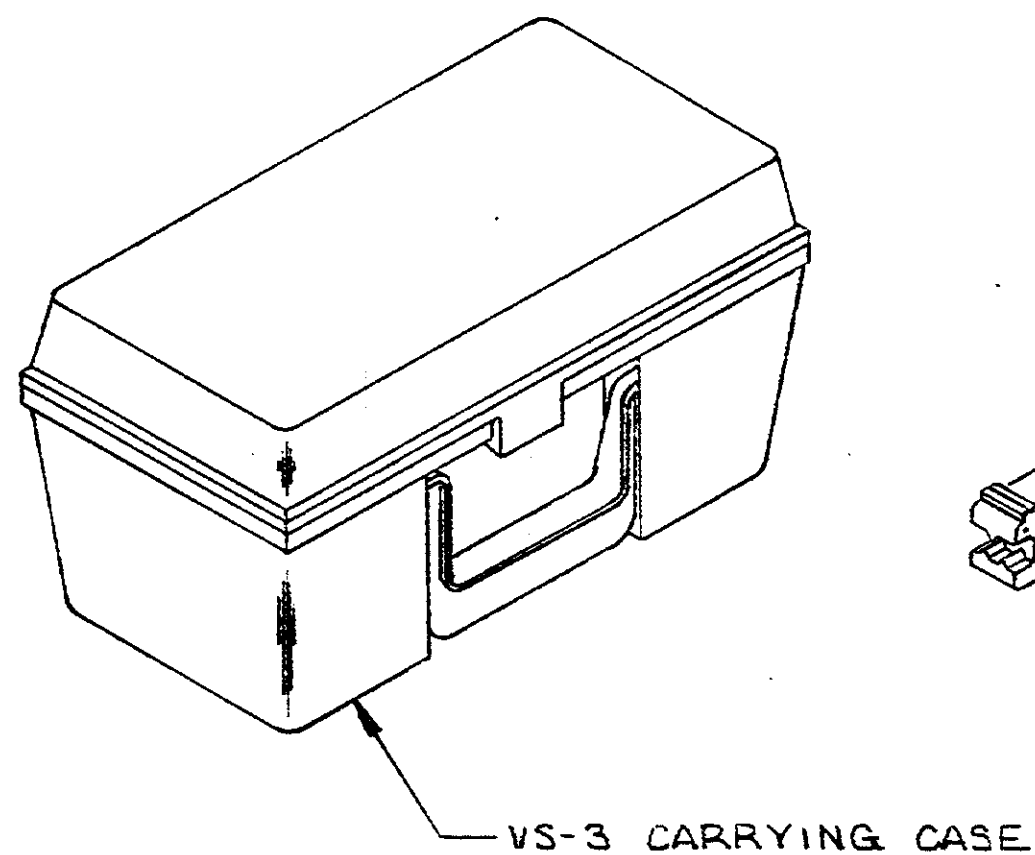


© COPYRIGHT 1980 BY AMP INCORPORATED, HARRISBURG, PA. ALL INTERNATIONAL RIGHTS RESERVED. AMP INCORPORATED PRODUCTS COVERED BY U. S. AND FOREIGN PATENTS AND/OR PATENTS PENDING.

| REVISIONS | | | | | | |
|-----------|---|------|-----|-----------------------|--------|----------|
| P | F | ZONE | LTR | DESCRIPTION | DATE | APPROVED |
| ✓ | ✓ | A | | SUPSD -2, ECN AA-1660 | 5-4-82 | KS mt |



1. ALL DIMENSIONS ARE FOR REFERENCE ONLY UNLESS OTHERWISE SPECIFIED.
 2. 45 INCHES OF BLACK NYLON CORD FURNISHED FOR CRIMP HEIGHT GAGE.



| VS-3 STANDARD PICABOND WITH TOOL HOLDER | 244271-5 |
|--|----------|
| VS-3 MINI-PICABOND | 244271-3 |
| SUPERSEDED BY VS-3 STANDARD PICABOND FOR MILITARY USE 244271-1 | 244271-2 |
| VS-3 STANDARD PICABOND | 244271-1 |
| DESCRIPTION | PART NO |

| | | | | |
|--|--------------------------------|---|---|--|
| UNLESS OTHERWISE SPECIFIED DIMENSIONS ARE IN INCHES. TOLERANCES ON: DECIMALS ± # ANGLES ± # | CONTRACT NO | AMP AMP INCORPORATED Harrisburg, Pa. | | |
| | DR <i>[Signature]</i> 11-11-80 | | | |
| | MATERIAL # | NAME | KIT, TOOL, HAND, VS-3 | |
| | FINISH # | APPD <i>[Signature]</i> 11/11/80 APPD <i>[Signature]</i> 11/11/80 DSGN APPD OTHER APPD | SIZE C CODE IDENT NO 00779 DRAWING NO 244271 | |
| | | SCALE 1/1 | SHEET 1 OF 1 | |

244271

单击下面可查看定价，库存，交付和生命周期等信息

[>>TE Connectivity\(泰科\)](#)