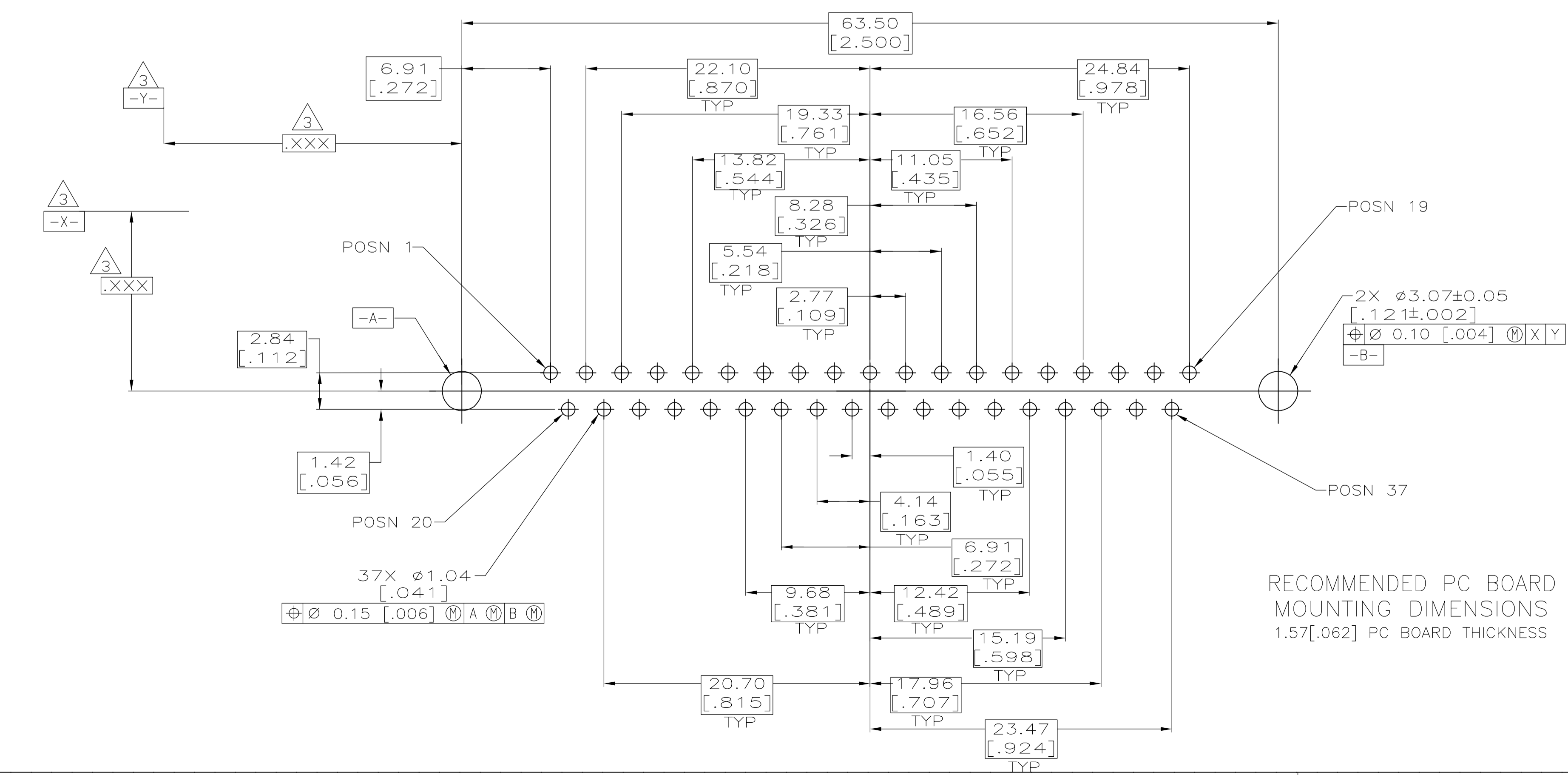
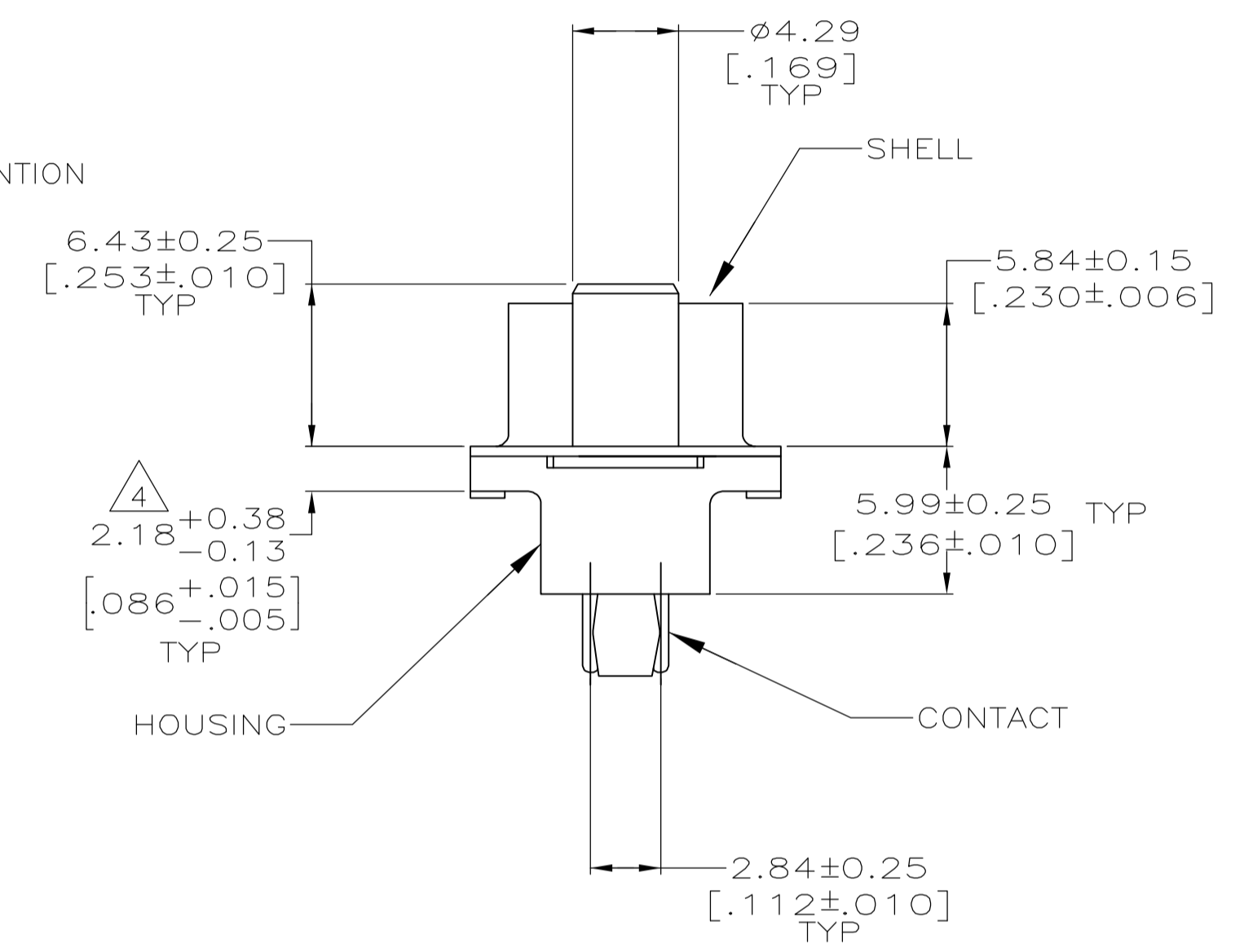
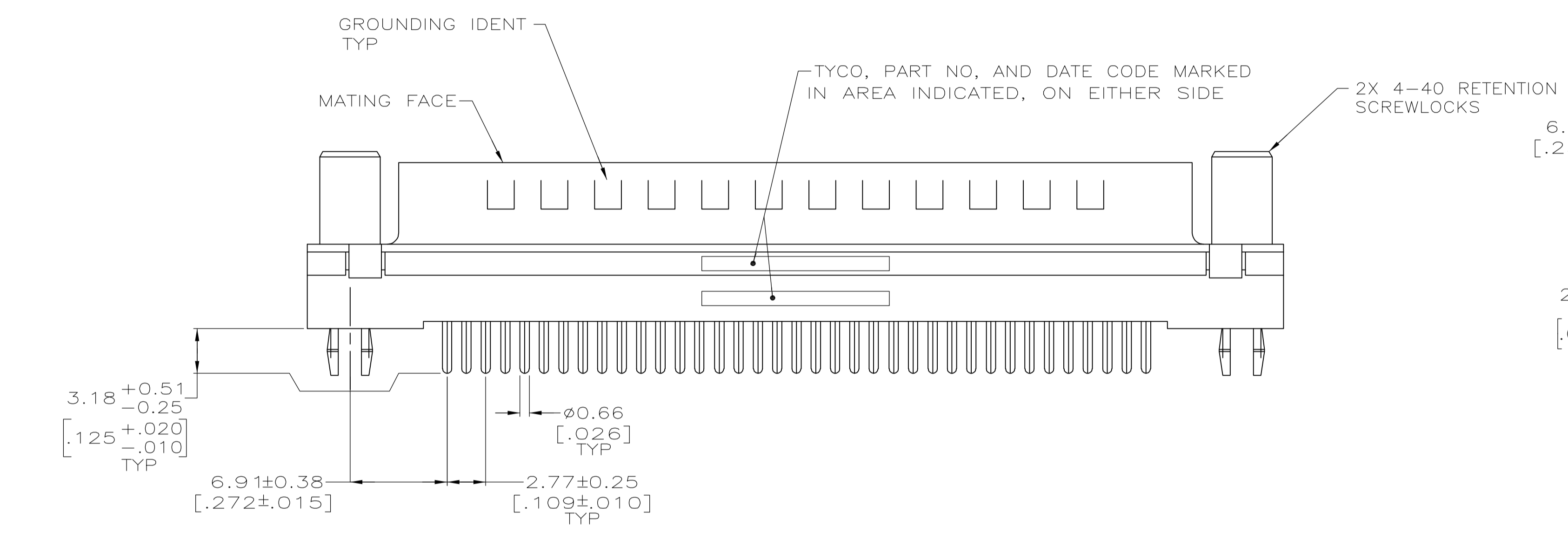


- △ HOUSING: POLYESTER, UL 94V-0 RATED, COLOR BLACK.
- CONTACTS: PHOSPHOR BRONZE.
- RETENTION SCREWLOCKS: BRASS.
- SHELL: CARBON STEEL.
- △ SHELL: 5.08um [.000200] MIN TIN OVER 2.54um [.000100] MIN COPPER.
- CONTACTS: 0.76um [.000030] MIN GOLD FOR A LENGTH OF 3.81 [.150] MIN FROM MATING END, 2.54um [.000100] MIN TIN ON OPPOSITE END, BOTH OVER 1.27um [.000050] MIN NICKEL.
- OR-
- GOLD FLASH OVER 0.76um [.000030] MIN PALLADIUM NICKEL PLATED FOR A LENGTH OF 3.81 [.150] MIN FROM MATING END, 2.54um [.000100] MIN TIN ON OPPOSITE END, BOTH OVER 1.27um [.000050] MIN NICKEL.
- RETENTION SCREWLOCKS: 2.54um [.000100] MIN TIN OVER 1.27um [.000050] MIN NICKEL OVER COPPER FLASH.
- △ DATUMS AND BASIC DIMENSIONS ESTABLISHED BY CUSTOMER.
- △ 2.79[.110] MAX IN SHELL TAB CLINCH AREAS.



RECOMMENDED PC BOARD MOUNTING DIMENSIONS  
 1.57[.062] PC BOARD THICKNESS

5787686-1  
 PART NUMBER

|  |  |                       |  |   |                        |
|--|--|-----------------------|--|---|------------------------|
| THIS DRAWING IS A CONTROLLED DOCUMENT. |  | DIN B LATTUCA 03OCT05 |  | Tyco Electronics Corporation<br>Harrisburg, PA 17105-3608 |                        |
| DIMENSIONS: mm [ INCHES ]              |  | CHK S BOLASH 03OCT05  |  | NAME M WALMSLEY 03OCT05                                   | PRODUCT SPEC 108-40025 |
| TOLERANCES UNLESS OTHERWISE SPECIFIED: |  | 0 PLC ± -             |  | SIZE CAGE CODE DRAWING NO                                 |                        |
| 1 PLC ± -                              |  | 2 PLC ± ± 0.13 [.005] |  | A1 00779 C=5787686  |                        |
| 3 PLC ± -                              |  | 4 PLC ± -             |  | WEIGHT -  |                        |
| ANGLES ± -                             |  | FINISH ± -            |  | CUSTOMER DRAWING  |                        |
| MATERIAL                               |  | SCALE 4:1             |  | SHEET 1 OF 1  |                        |
| 1                                      |  | 2                     |  | REV B   |                        |

单击下面可查看定价，库存，交付和生命周期等信息

[>>TE Connectivity\(泰科\)](#)

[>>点击查看相关商品](#)