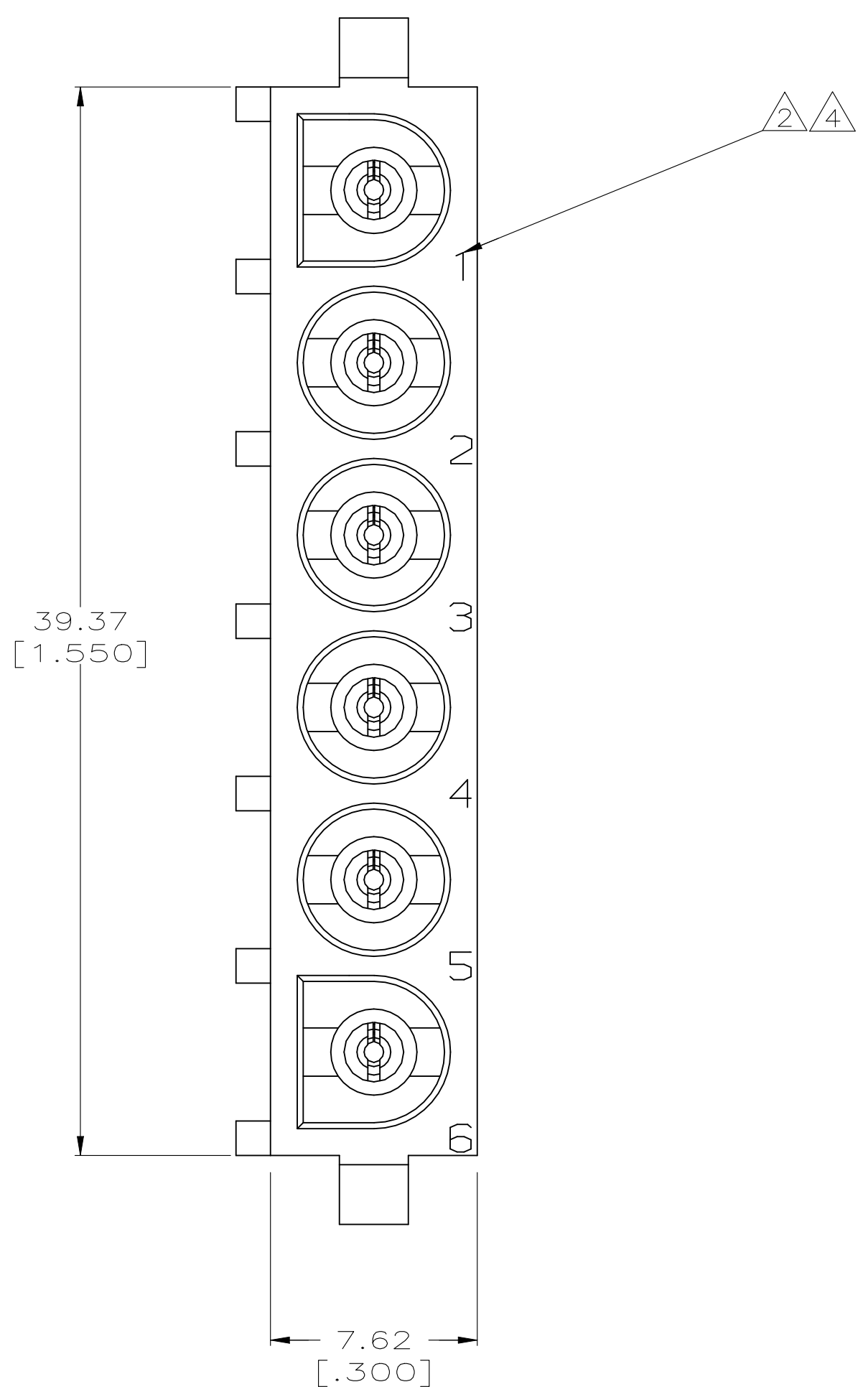
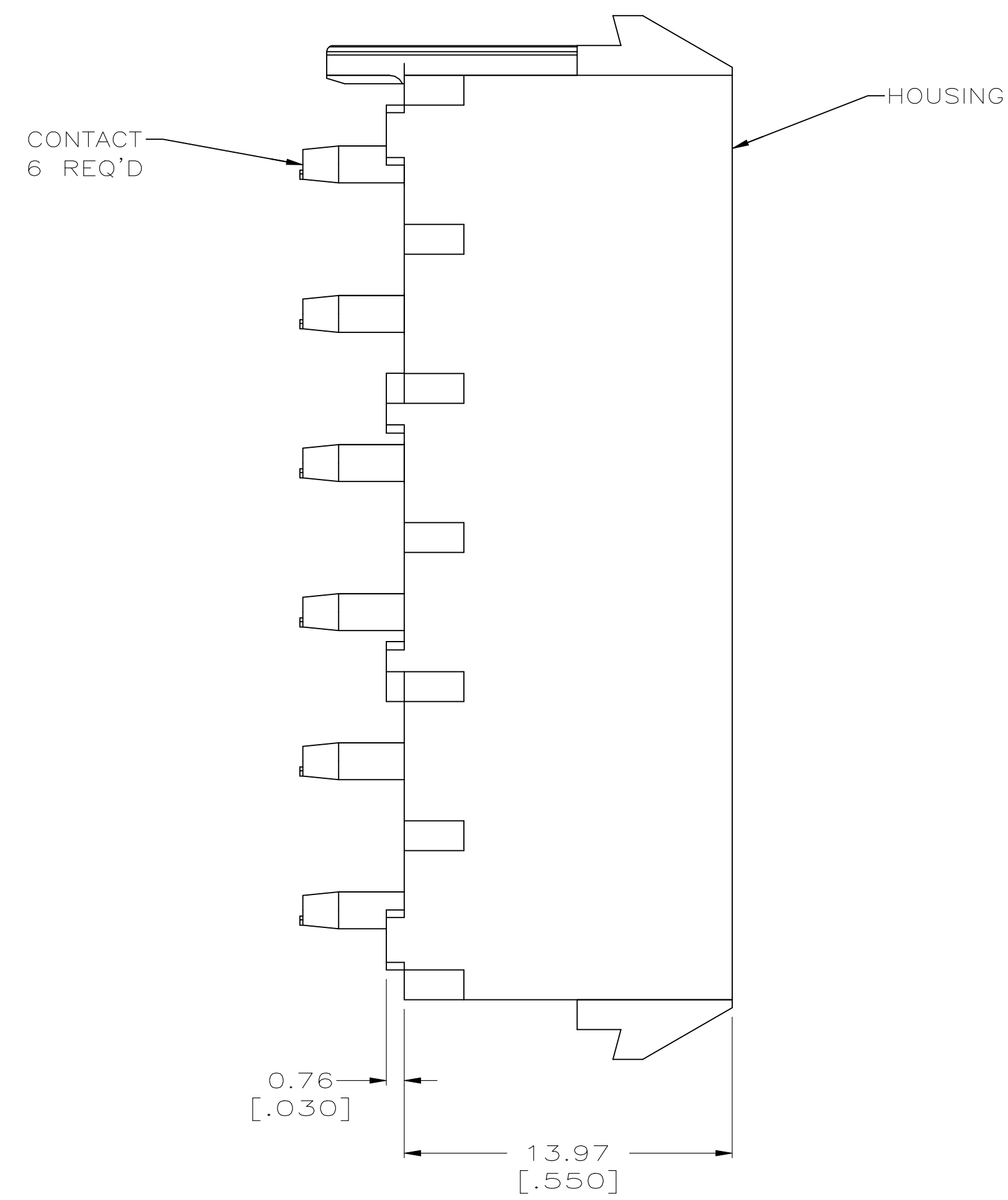
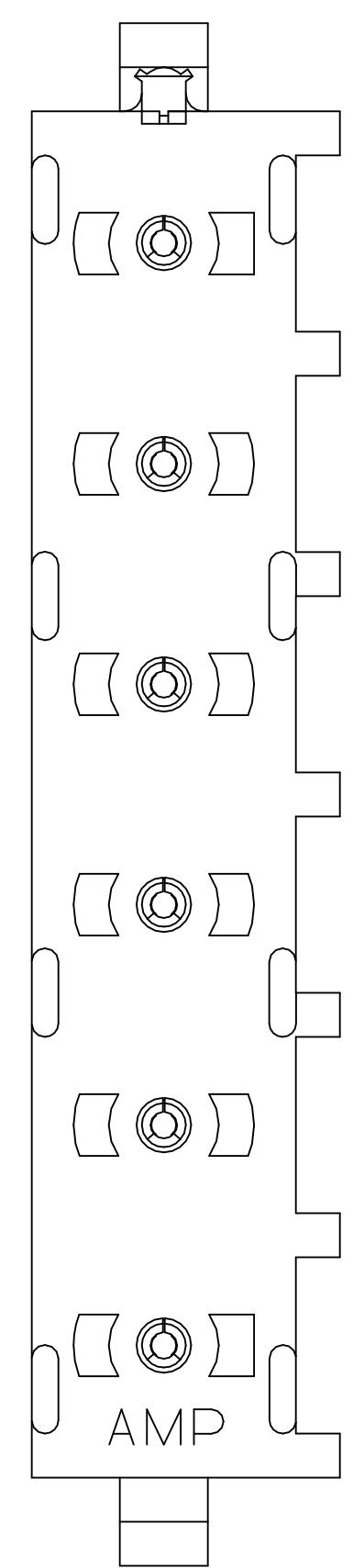
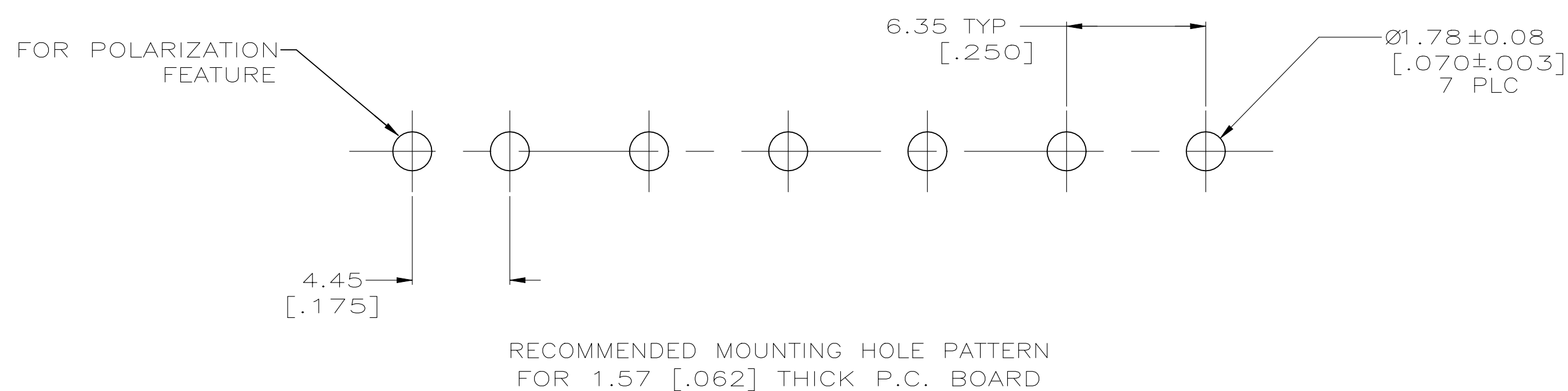
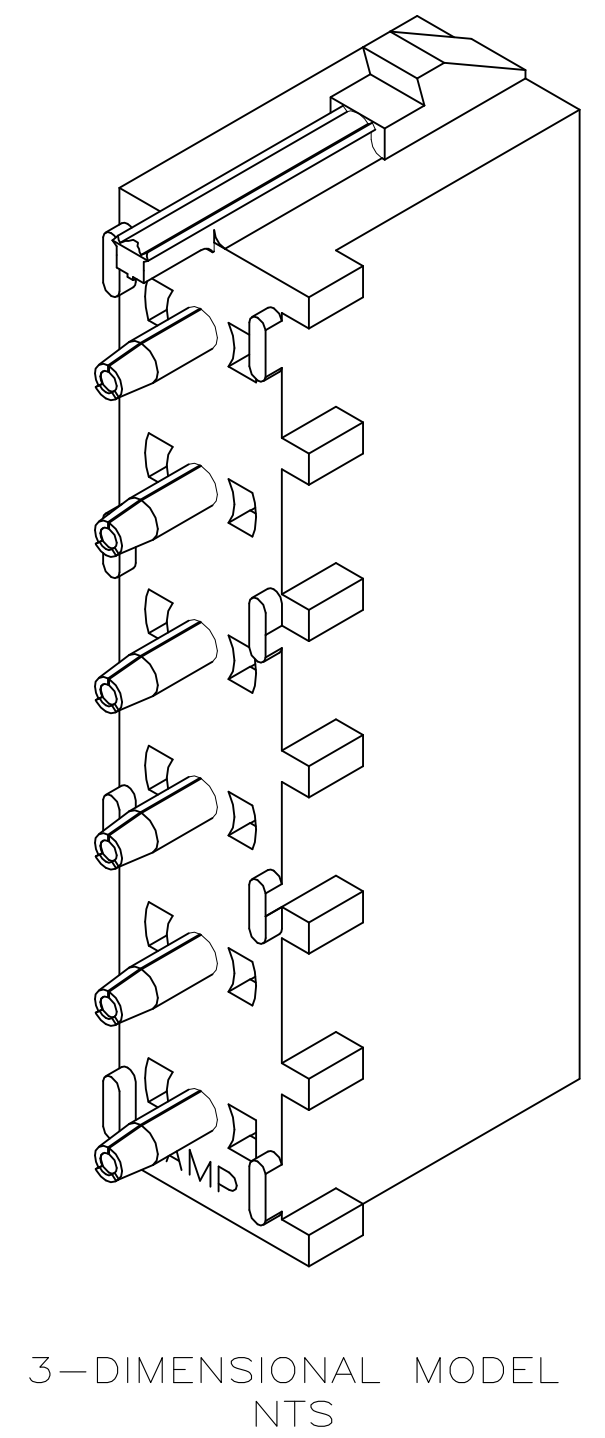
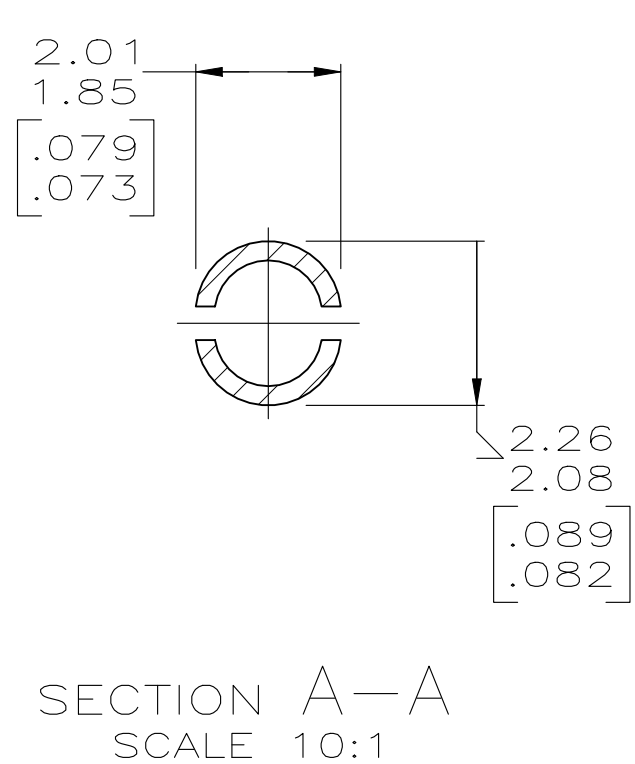
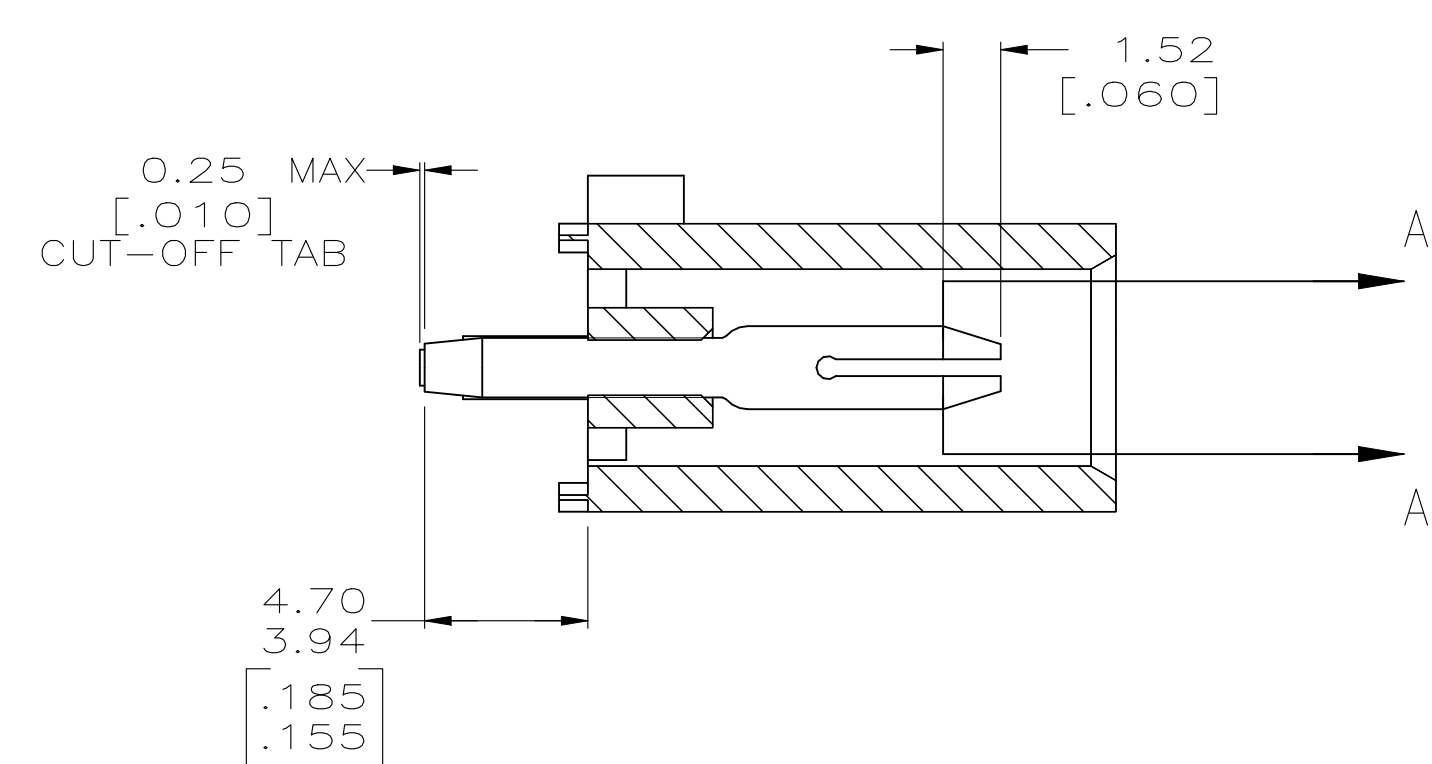


REVISIONS				
REV	DESCRIPTION	DATE	BY	APP'D
M4	REVISED PER ECR-21-112682	08SEP2021	JP	VS



- PARTS COMPLY TO AMP SOLDERABILITY SPECIFICATION 109-11-3.
- CIRCUIT IDENTIFICATION CHARACTERS ARE ADJACENT TO THE INDICATED CAVITIES, BUT LOCATION AND ORIENTATION MAY DIFFER FROM PRINT.
- DIMENSIONS IN BRACKETS ARE IN INCHES.
- IDENTIFICATION WILL APPEAR AT CIRCUIT NO. 1, OTHERS OPTIONAL.
- 0.76 MICRO-METERS [30 MICRO-INCHES] MINIMUM GOLD
- DIMENSIONS SHOWN REPRESENT PRODUCT IN DRY CONDITION. ADDITIONAL 2% GROWTH DUE TO END USE LOCATION MOISTURE ABSORPTION MAY OCCUR AND SHOULD BE ACCOUNTED FOR.



PHOSPHOR BRONZE, GOLD ⁵	NYLON, UL94V-0, WHITE	643408-3
PHOSPHOR BRONZE, PRE-TIN	NYLON, UL94V-0, WHITE	643408-1
PIN CONTACT MATL AND FINISH	HOUSING MATERIAL	PART NO.
THIS DRAWING IS A CONTROLLED DOCUMENT.		
DIMENSIONS: mm [INCHES] TOLERANCES UNLESS OTHERWISE SPECIFIED: 0 PLC ± - 1 PLC ± - 2 PLC ± 0.13 [.005] 3 PLC ± - 4 PLC ± - ANGLES ± -		BIN L. McEACHIN 07-JAN-2000 CHK K. COBLE 07-JUN-2000 APVD K. COBLE 07-JUN-2000 PRODUCT SPEC APPLICATION SPEC NAME SIZE CAGE CODE DRAWING NO A1 00779 C=643408 WEIGHT CUSTOMER DRAWING
MATERIAL SEE TABLE FINISH SEE TABLE		NAME PIN HEADER ASSEMBLY, POLARIZED, 6 CIRCUIT UNIVERSAL MATE-N-LOK RESTRICTED TO SCALE 5:1 SHEET 1 of 1 REV M4

单击下面可查看定价，库存，交付和生命周期等信息

[>>TE Connectivity\(泰科\)](#)