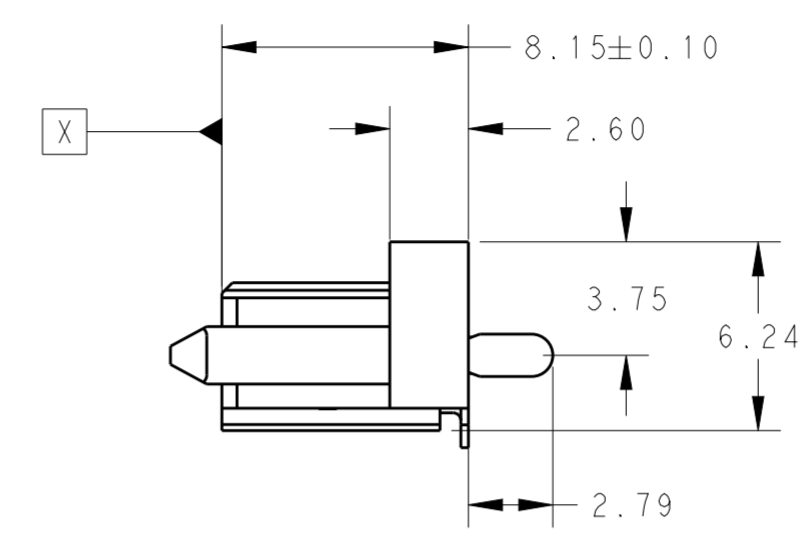
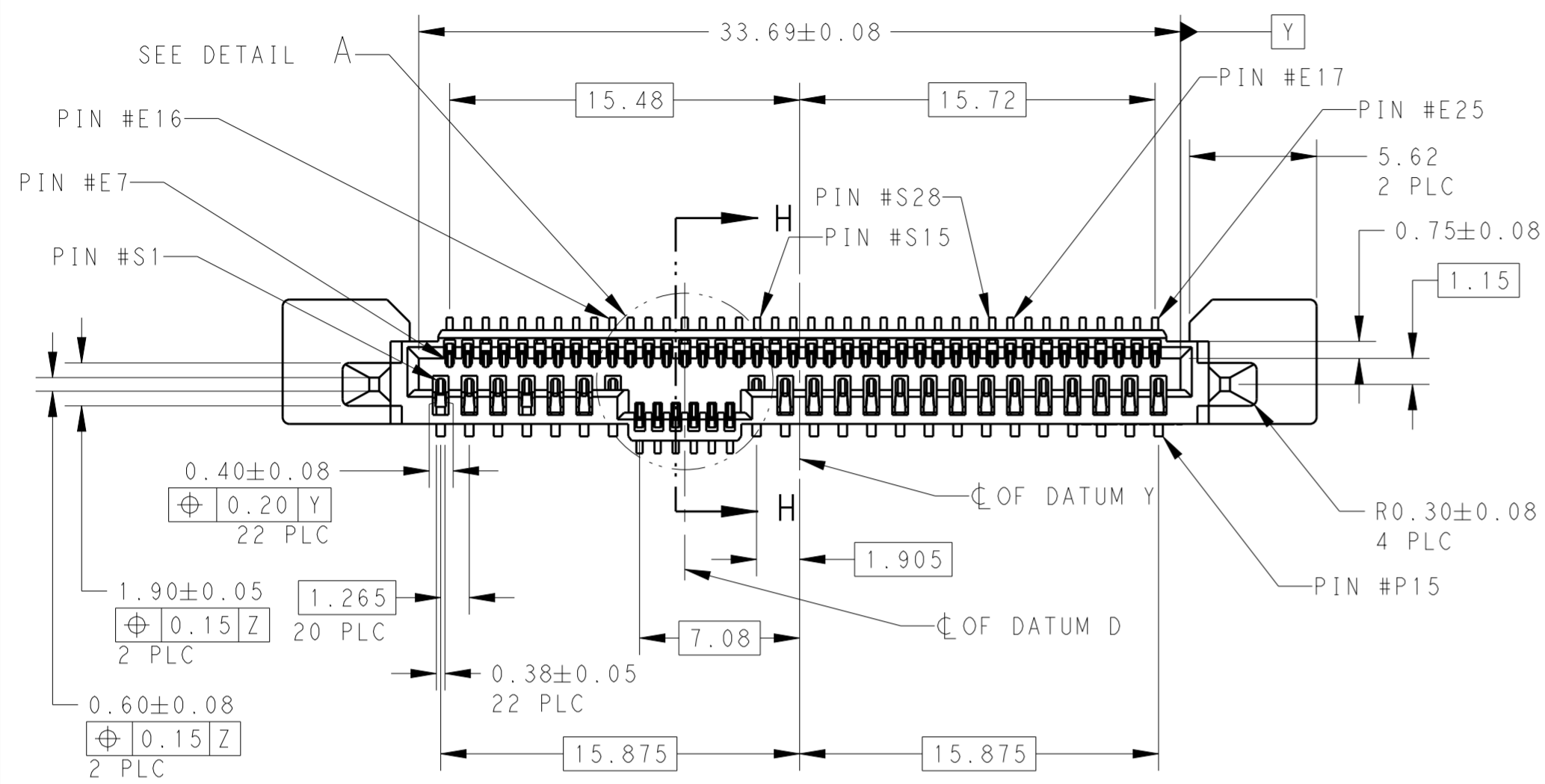
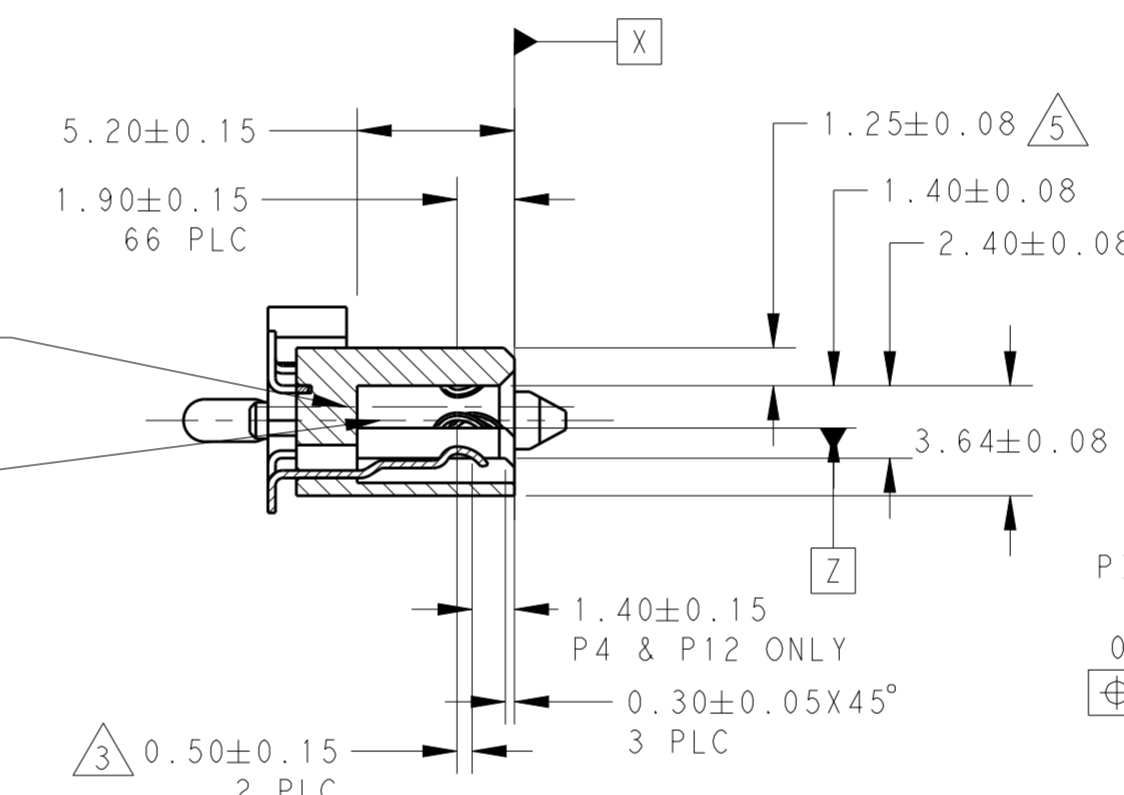


THIS DRAWING IS UNPUBLISHED. RELEASED FOR PUBLICATION 20
 © COPYRIGHT 20 BY - ALL RIGHTS RESERVED.

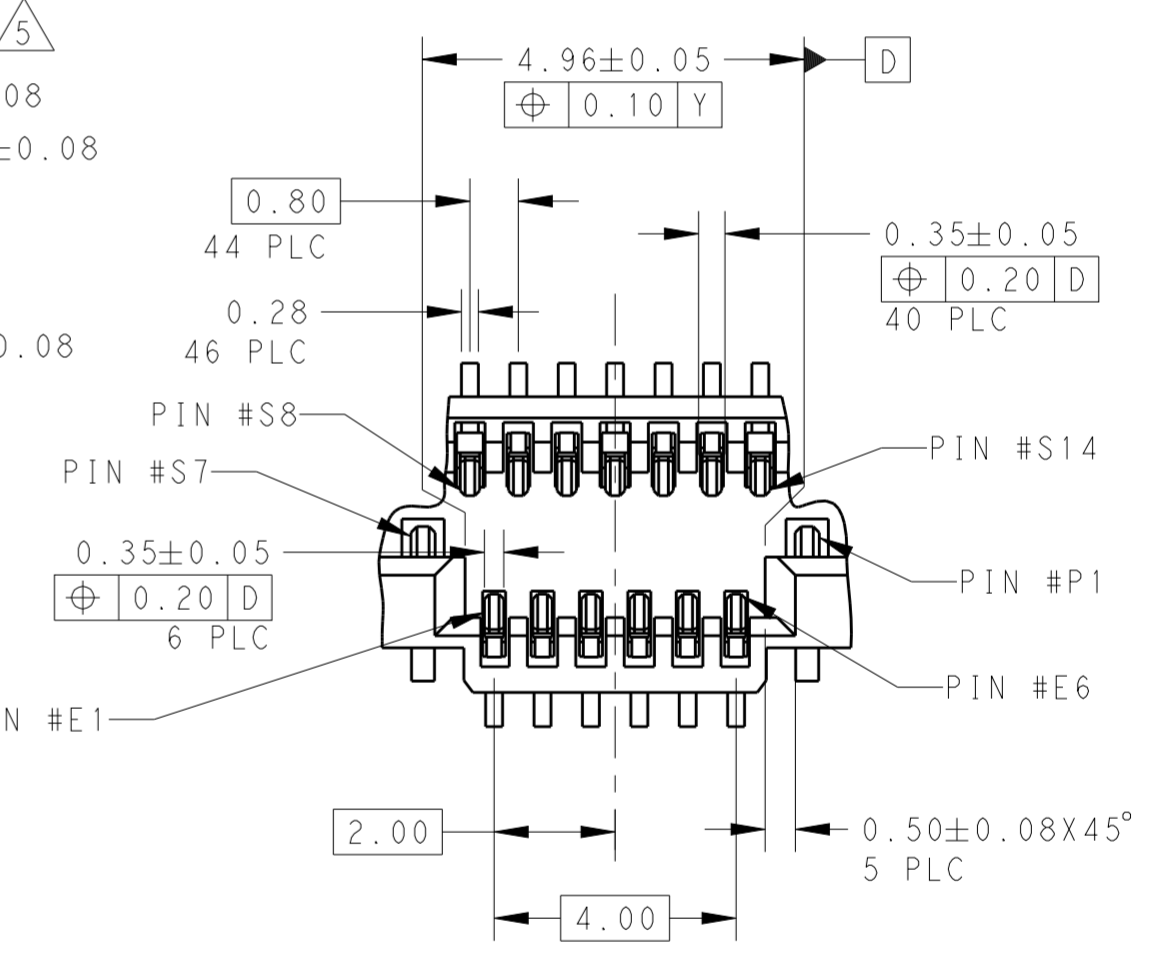
REVISIONS				
P	LTR	DESCRIPTION	DATE	APVD
A		RELEASED FOR PRODUCTION	07MAR2016	TX SH



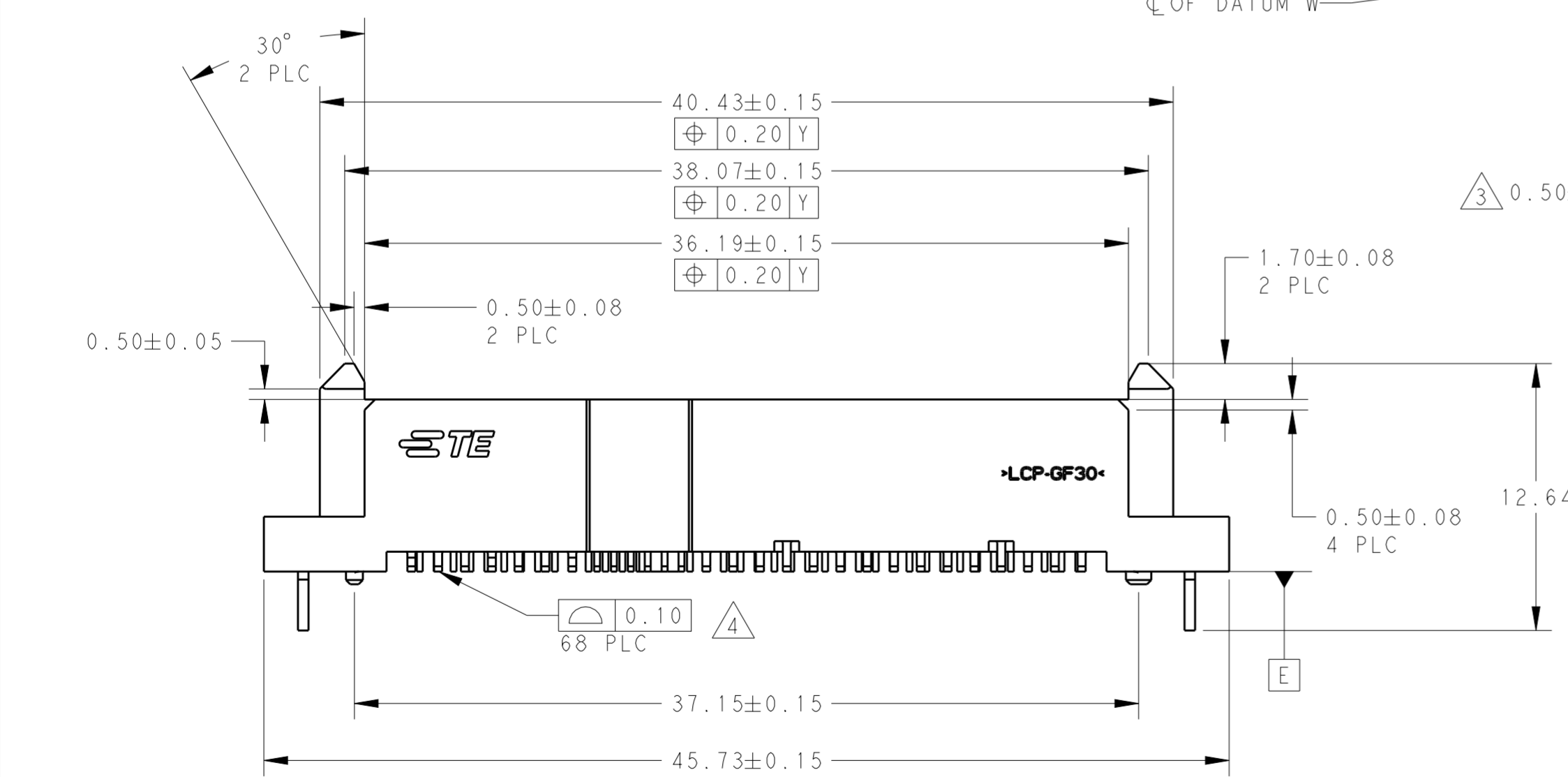
- NOTES:
- MATERIAL:
HOUSING: HIGH TEMP THERMOPLASTIC, UL94V-0, COLOR:BLACK
CONTACT: COPPER ALLOY
BOARDLOCK: COPPER ALLOY
 - FINISH:
CONTACT AREA: MIN 0.76µm GOLD PLATING
SOLDERTAIL: MIN 2.54µm MATTE TIN PLATING
UNDERPLATE: MIN 1.27µm NICKEL PLATING
 - PIN #P4 AND #P12 ONLY
 - SOLDERTAIL TO BE 0.05 MAX ABOVE AND 0.10 MAX BELOW DATUM E
 - 1.33 MAX MEASURED AT DATUM C



SECTION H-H
SCALE 4:1



DETAIL A
SCALE 8:1

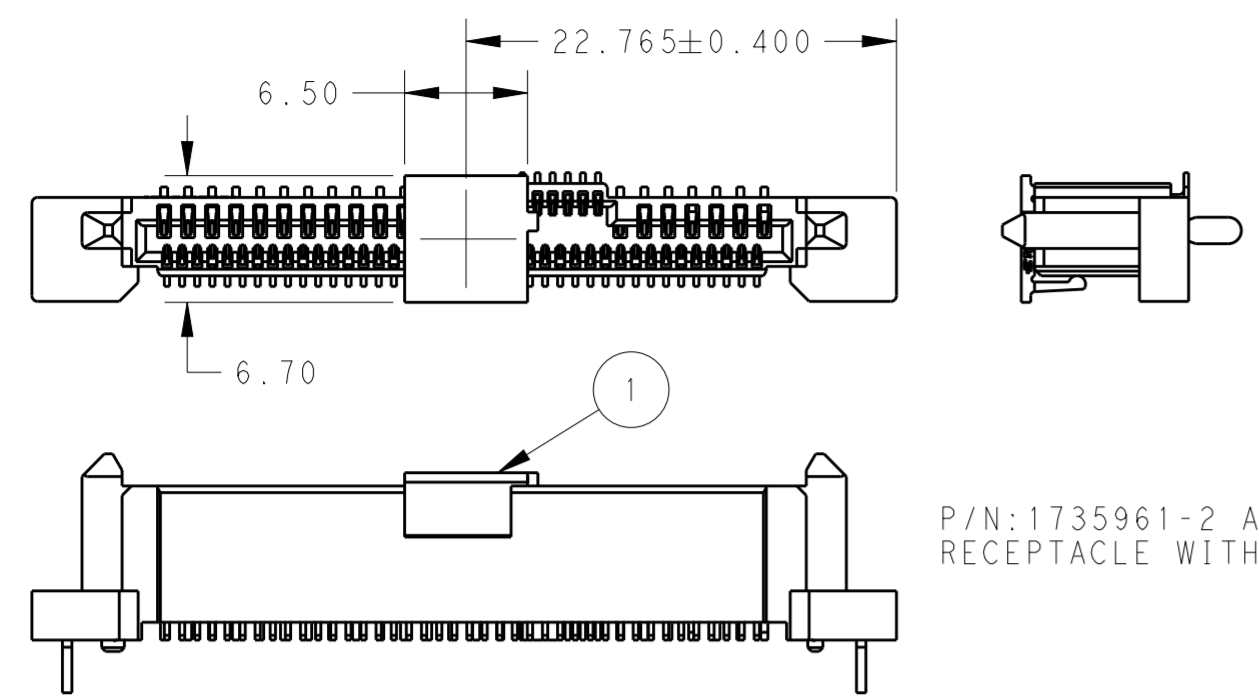


TRAY	YES	1735961-3
TAPE & REEL	YES	1735961-2
TRAY	NO	1735961-1
PACKAGING	PICK-UP CAP (1)	PART NUMBER

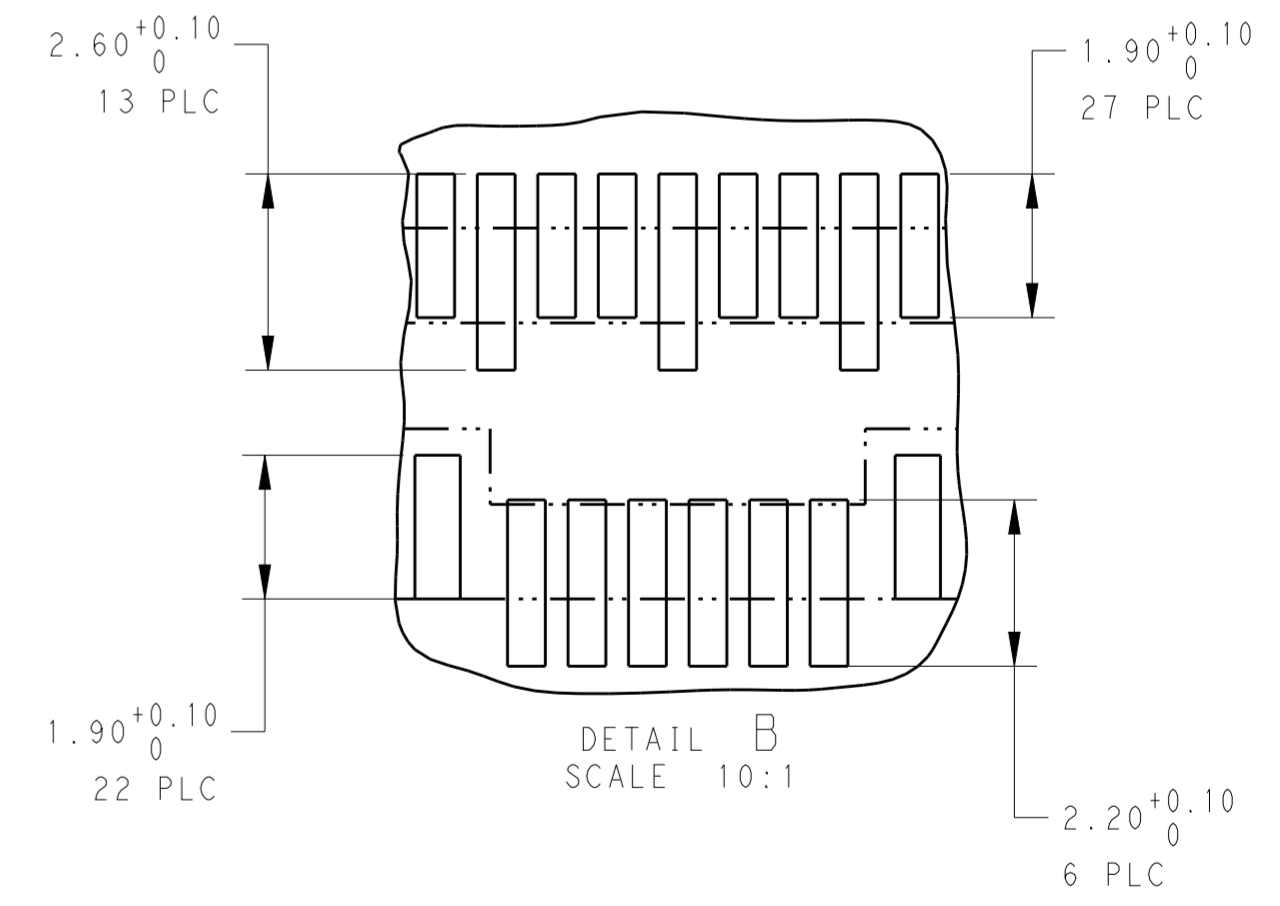
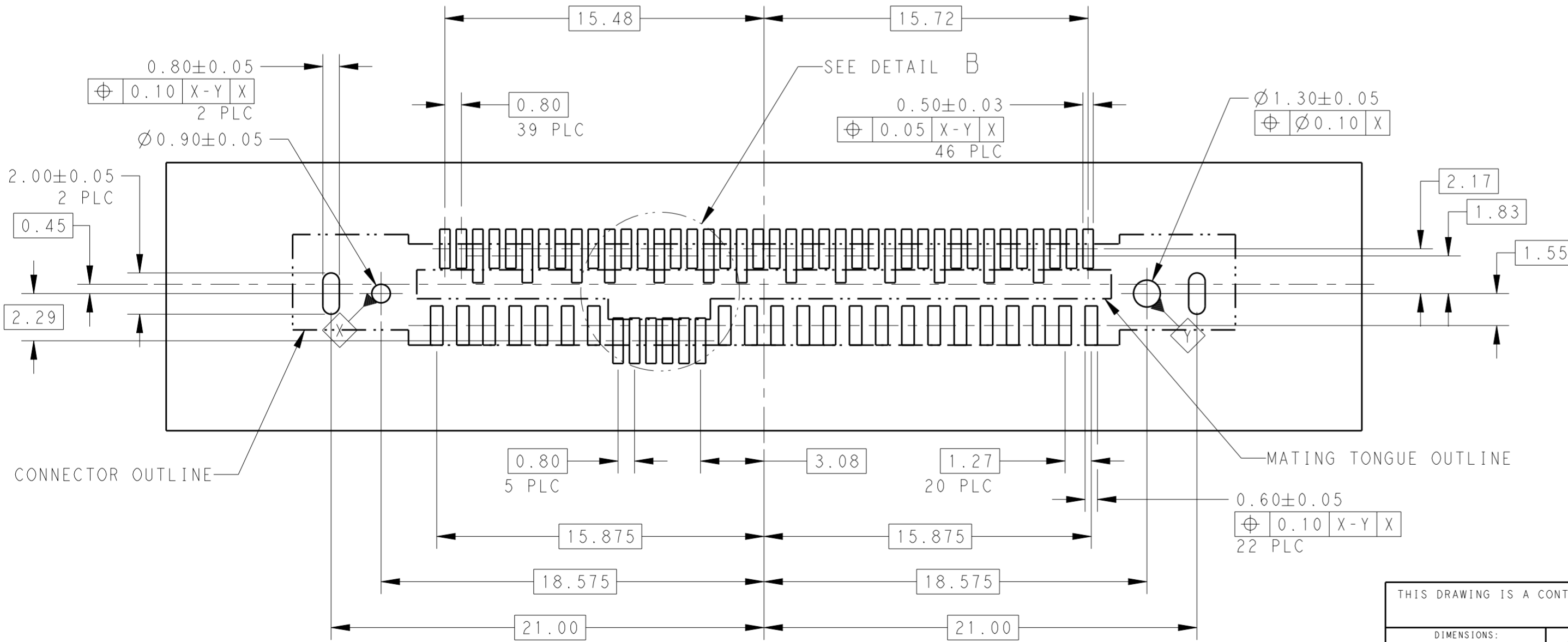
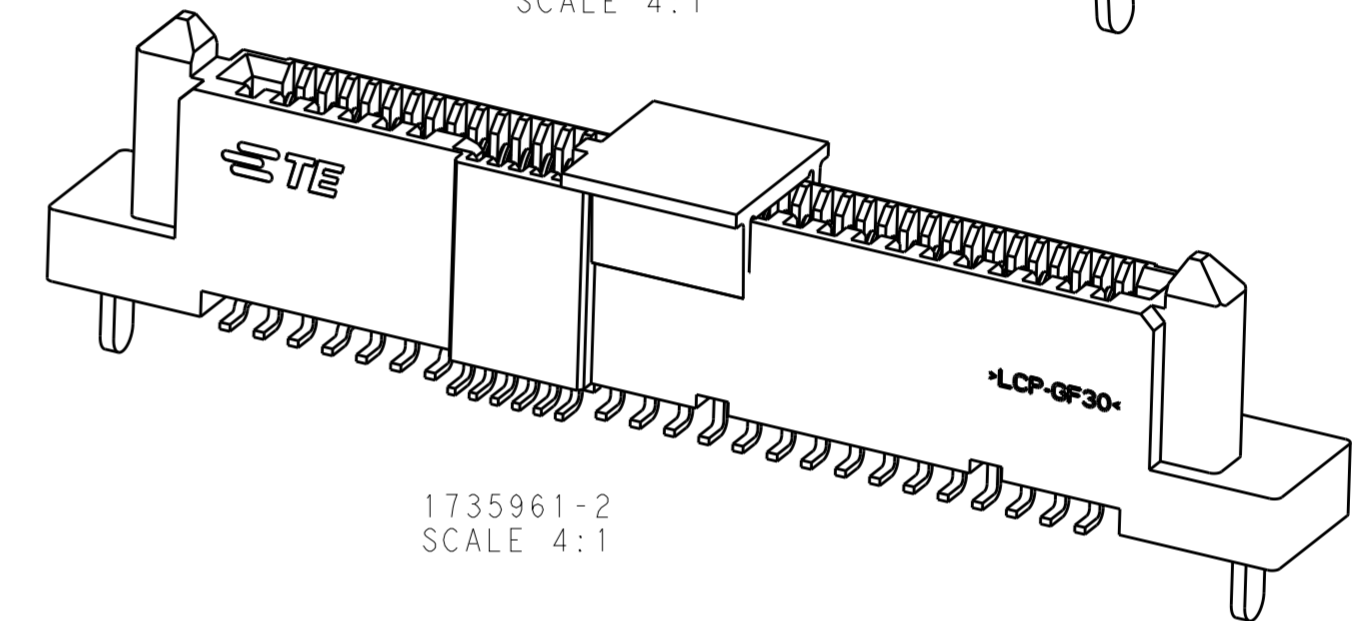
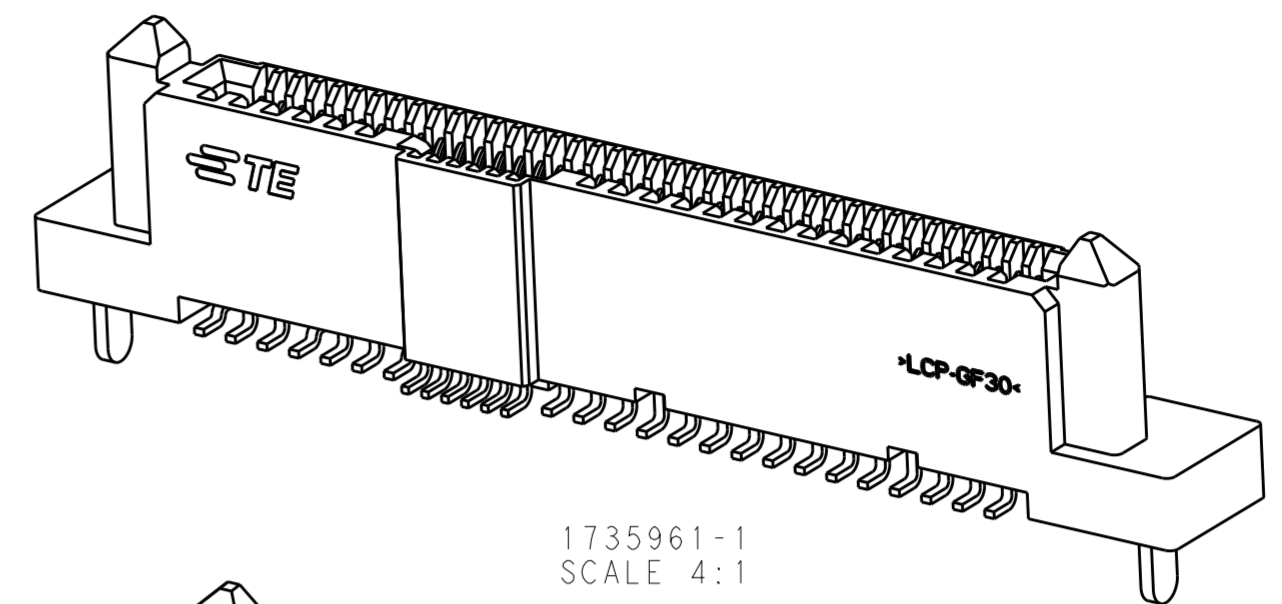
THIS DRAWING IS A CONTROLLED DOCUMENT.		DWN YM LEE 8DEC11	TE Connectivity 12G SAS/PCIe COMBO RECEPTACLE (WITH TH BOARDLOCK) 15P+6P+7P+40P
DIMENSIONS: mm		CHK SF LEONG 8DEC11	
TOLERANCES UNLESS OTHERWISE SPECIFIED:		APVD SF LEONG 8DEC11	
0 PLC ± 1 PLC ±0.20 2 PLC ±0.20 3 PLC ±0.20 4 PLC ± ANGLES ±3° FINISH		PRODUCT SPEC 108-51109 APPLICATION SPEC 114-60017 WEIGHT - CUSTOMER DRAWING	
MATERIAL		SCALE 2:1	RESTRICTED TO
		SHEET 1 OF 2	REV A

THIS DRAWING IS UNPUBLISHED. RELEASED FOR PUBLICATION 20
 © COPYRIGHT 20 BY - ALL RIGHTS RESERVED.

LOC		DIST		REVISIONS			
P	LTR	DESCRIPTION	DATE	DWN	APVD		
-	-	SEE SHEET 1	-	-	-		



P/N: 1735961-2 AS SHOWN
 RECEPTACLE WITH PICK-UP CAP



RECOMMENDED RECEPTACLE BOARD LAYOUT
 SCALE 5:1

THIS DRAWING IS A CONTROLLED DOCUMENT.		DWN YM LEE 8DEC11	 TE Connectivity
DIMENSIONS: mm		CHK SF LEONG 8DEC11	
TOLERANCES UNLESS OTHERWISE SPECIFIED:		APVD SF LEONG 8DEC11	
0 PLC ±	1 PLC ±0.20	PRODUCT SPEC 108-51109	NAME 12G SAS/PCIe COMBO RECEPTACLE (WITH TH BOARDLOCK) 15P+6P+7P+40P
2 PLC ±0.20	3 PLC ±0.20	APPLICATION SPEC 114-60017	SIZE CAGE CODE DRAWING NO
4 PLC ±	ANGLES ±3°	WEIGHT -	A200779 C-1735961
MATERIAL -	FINISH -	CUSTOMER DRAWING	RESTRICTED TO
material_2	finish_spec_2	SCALE 2:1	SHEET 2 OF 2 REV A

单击下面可查看定价，库存，交付和生命周期等信息

[>>TE Connectivity\(泰科\)](#)