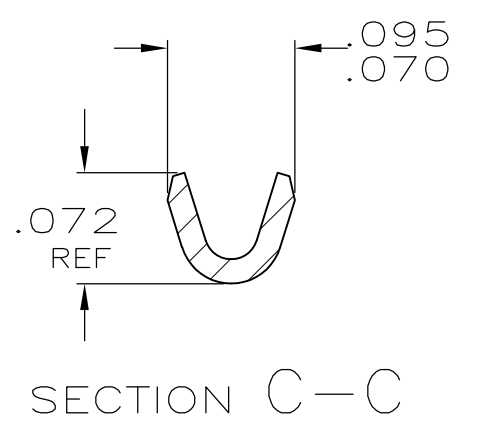
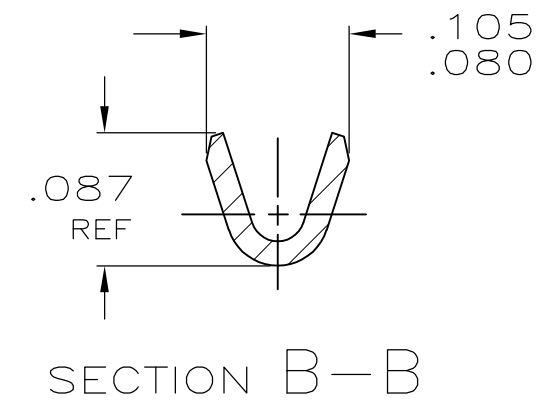
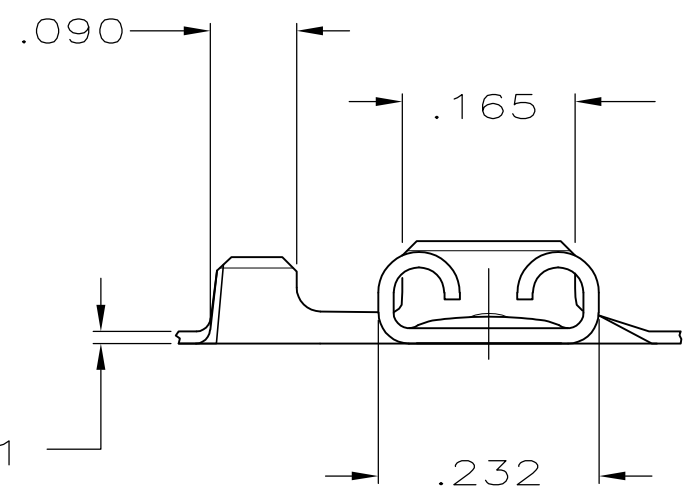
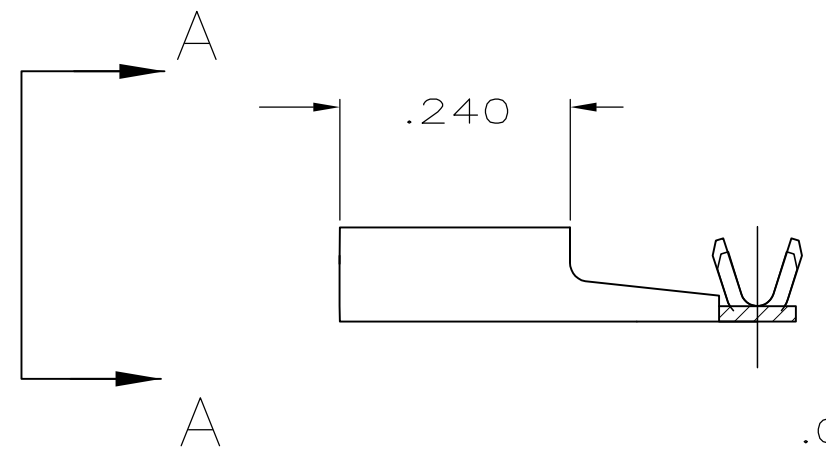
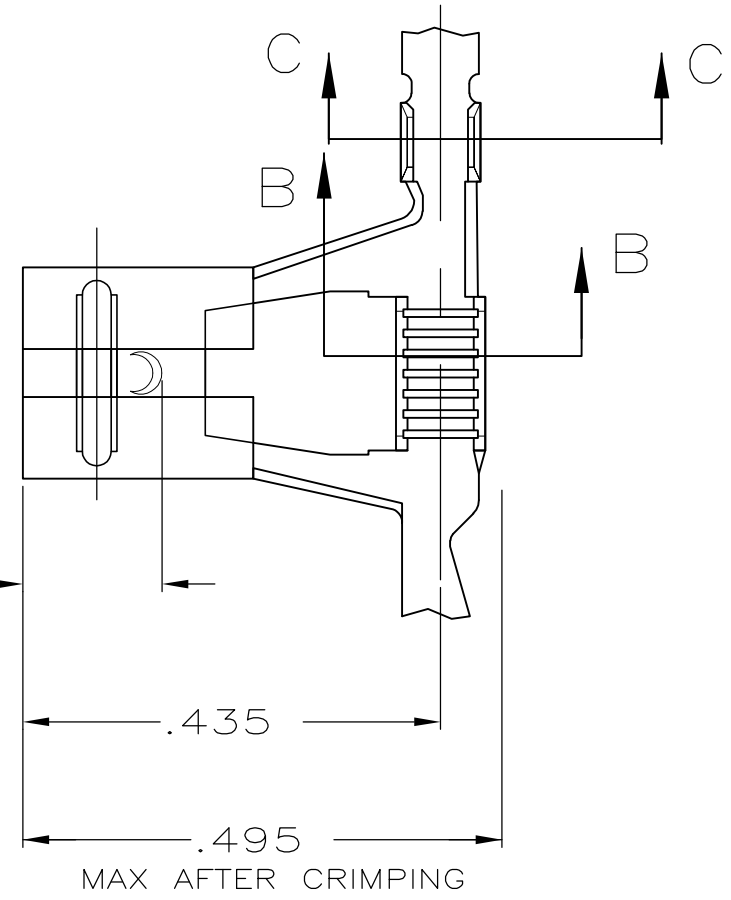


THIS DRAWING IS UNPUBLISHED. RELEASED FOR PUBLICATION  
 © COPYRIGHT - By TYCO ELECTRONICS CORPORATION. ALL RIGHTS RESERVED.

LOC	DIST	REVISIONS			
P	LTR	DESCRIPTION	DATE	DWN	APVD
AF	50	C	REVISE PER ECR-13-013738	15FEB2014	GRZ JL

- 1 CONTINUOUS STRIP ON REELS.
- 2 ACCEPTS MAGNET WIRE RANGES 24-20 AWG.
- 3 MATING TAB THK IS .032±.001.



VIEW A-A

1217624-1  
PART NO.

THIS DRAWING IS A CONTROLLED DOCUMENT.		DWN	JR RUTH	09APR01	<b>TE Connectivity</b>												
DIMENSIONS: INCHES		CHK	MS FEHER	09APR01													
TOLERANCES UNLESS OTHERWISE SPECIFIED:		APVD	P DESANTIS	09APR01													
<table border="0"> <tr><td>0 PLC</td><td>± -</td></tr> <tr><td>1 PLC</td><td>± -</td></tr> <tr><td>2 PLC</td><td>± .010</td></tr> <tr><td>3 PLC</td><td>± -</td></tr> <tr><td>4 PLC</td><td>± -</td></tr> <tr><td>ANGLES</td><td>± -</td></tr> </table>		0 PLC	± -	1 PLC		± -	2 PLC	± .010	3 PLC	± -	4 PLC	± -	ANGLES	± -	PRODUCT SPEC	NAME	
0 PLC	± -																
1 PLC	± -																
2 PLC	± .010																
3 PLC	± -																
4 PLC	± -																
ANGLES	± -																
MATERIAL	BRASS	FINISH	.000080 MIN TIN		APPLICATION SPEC	SIZE	A3	CAGE CODE	00779	DRAWING NO	C-1217624	RESTRICTED TO	-				
CUSTOMER DRAWING						SCALE	5:1	SHEET	1 OF 1	REV	C						

单击下面可查看定价，库存，交付和生命周期等信息

[>>TE Connectivity\(泰科\)](#)