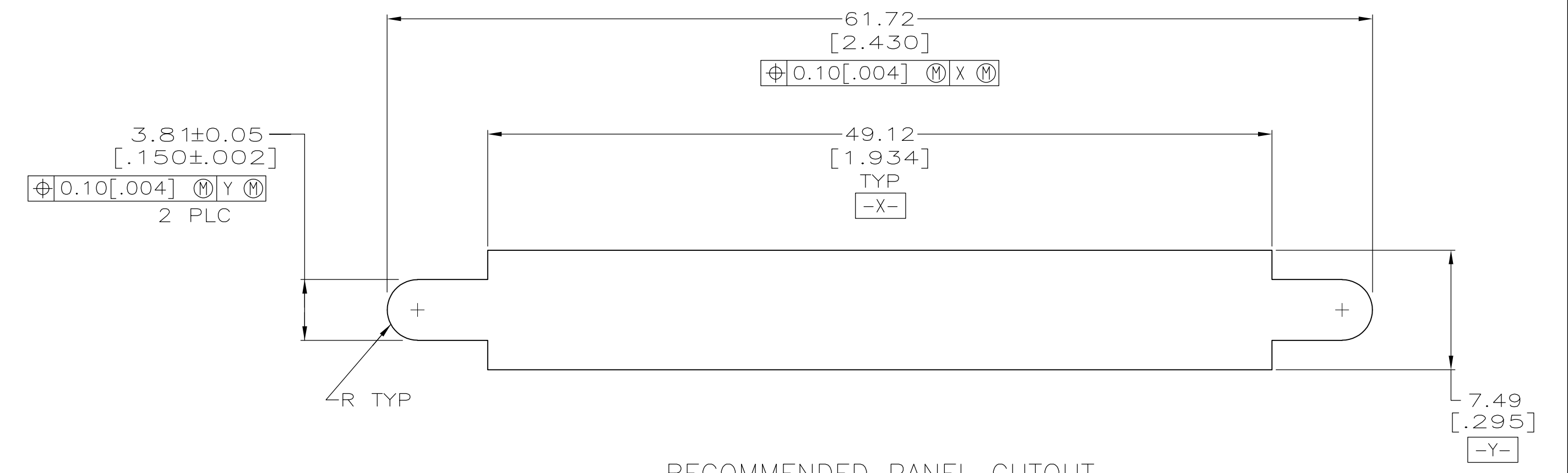
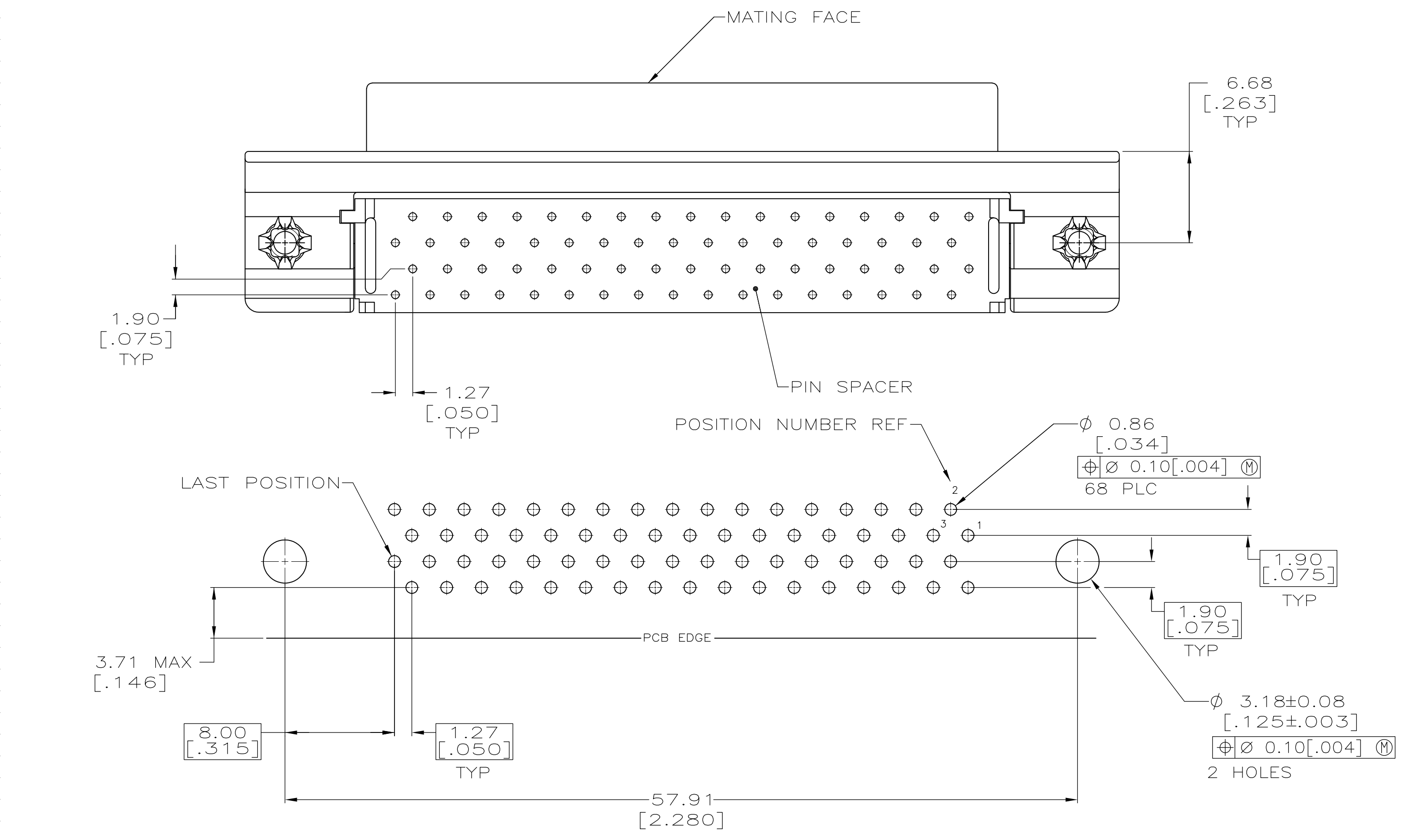


CONTACTS: PHOSPHOR BRONZE  
 HOUSING & PIN SPACER: UL 94V-0 RATED, THERMOPLASTIC, BLACK  
 BRACKET: ZINC  
 SHELL: CARBON STEEL  
 BOARDLOCKS: COPPER ALLOY

CONTACTS: EITHER 0.76μm [.000030] MIN GOLD PLATE FOR A LENGTH OF 0.64 [.025] MAX, 0.13 [.005] MIN FROM MATING END OR GOLD FLASH OVER PALLADIUM NICKEL PLATE, 0.76μm [.000030] MIN TOTAL FOR A LENGTH OF 0.64 [.025] MAX, 0.13 [.005] MIN FROM MATING END. 3.81μm [.000150] MIN TIN ON OPPOSITE END FOR A LENGTH OF 3.84 [.151] MIN, BOTH OVER 1.27μm [.000050] MIN NICKEL.  
 SHELL: 5.08μm [.000200] MIN NICKEL OVER 1.27μm [.000050] MIN COPPER.  
 BRACKET: 2.54μm [.000100] MIN NICKEL OVER 5.08μm [.000200] COPPER.  
 BOARDLOCKS: 3.81μm [.000150] MIN TIN OVER 1.27μm [.000050] MIN NICKEL.



P.C. BOARD MOUNTING DIMENSIONS  
 CONNECTOR SIDE  
 P.C. BOARD THICKNESS 2.36±0.23 [.093±.009]

**COPYRIGHT 2005  
 TYCO ELECTRONICS CORP  
 ALL RIGHTS RESERVED**

THIS DRAWING IS A CONTROLLED DOCUMENT.		OWN: L. VARELA - DOCKS 02-14-05	Tyco Electronics	Tyco Electronics Corporation Harrisburg, Pa 17105-3608	
DIMENSIONS: mm(INCHES)		CHK: S. SHUEY 02-14-05		NAME: RECEPTACLE ASSEMBLY, SHIELDED, RIGHT ANGLE, .050 SERIES, AMPLIMITE	
TOLERANCES UNLESS OTHERWISE SPECIFIED:		APVD: M. WALMSLEY 02-14-05	PRODUCT SPEC: 108-1228		
0 PLC ± -			APPLICATION SPEC: 114-40029		
2 PLC ± 0.13 [0.005]			WEIGHT: -		
3 PLC ± -			SIZE: A1		
4 PLC ± -			CAGE CODE: 00779		
ANGLES ± -			DRAWING NO: 5787928		
MATERIAL: 1		FINISH: 2		CUSTOMER DRAWING	
		SCALE: 4:1		SHEET 1 OF 1 REV B	

单击下面可查看定价，库存，交付和生命周期等信息

[>>TE Connectivity\(泰科\)](#)