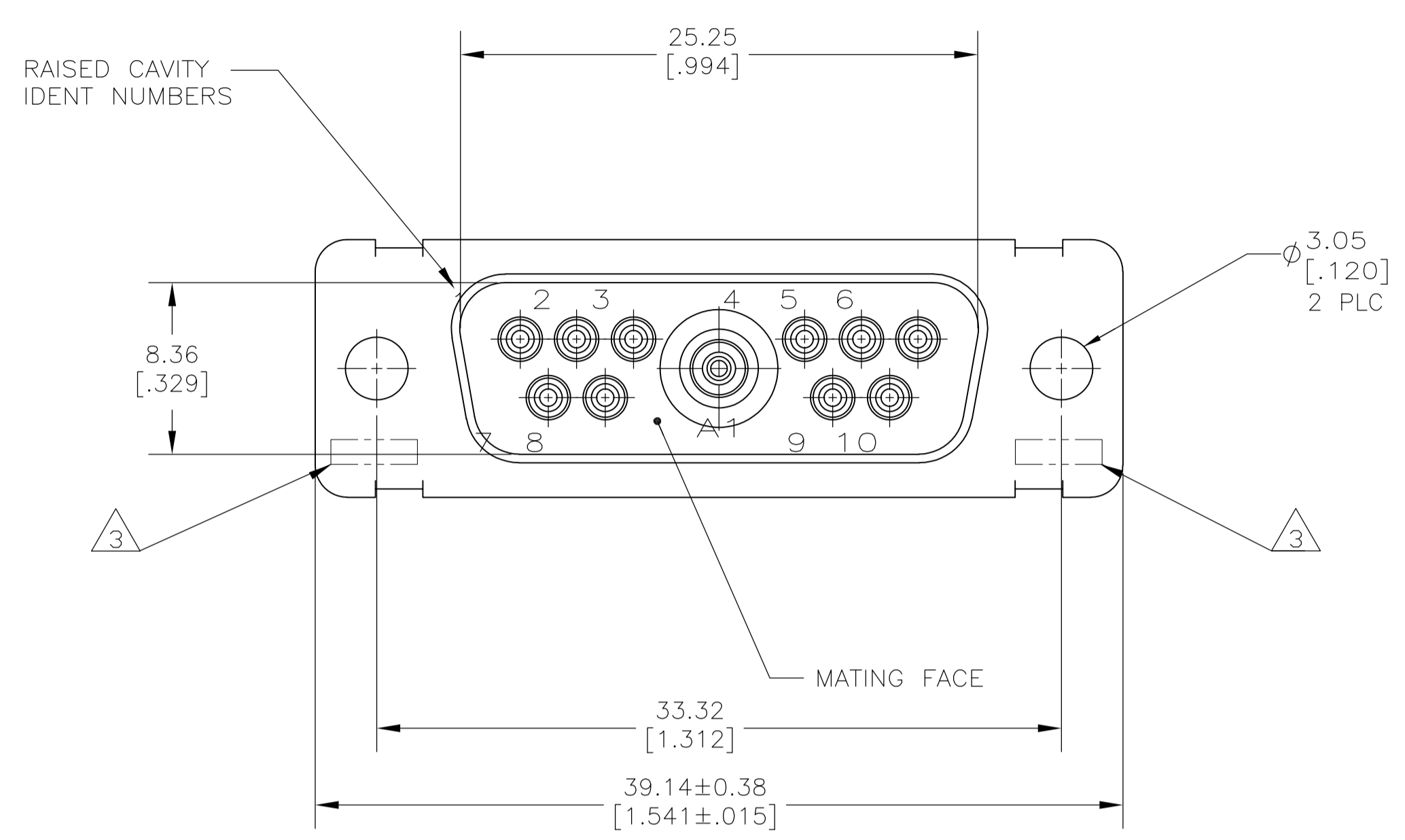
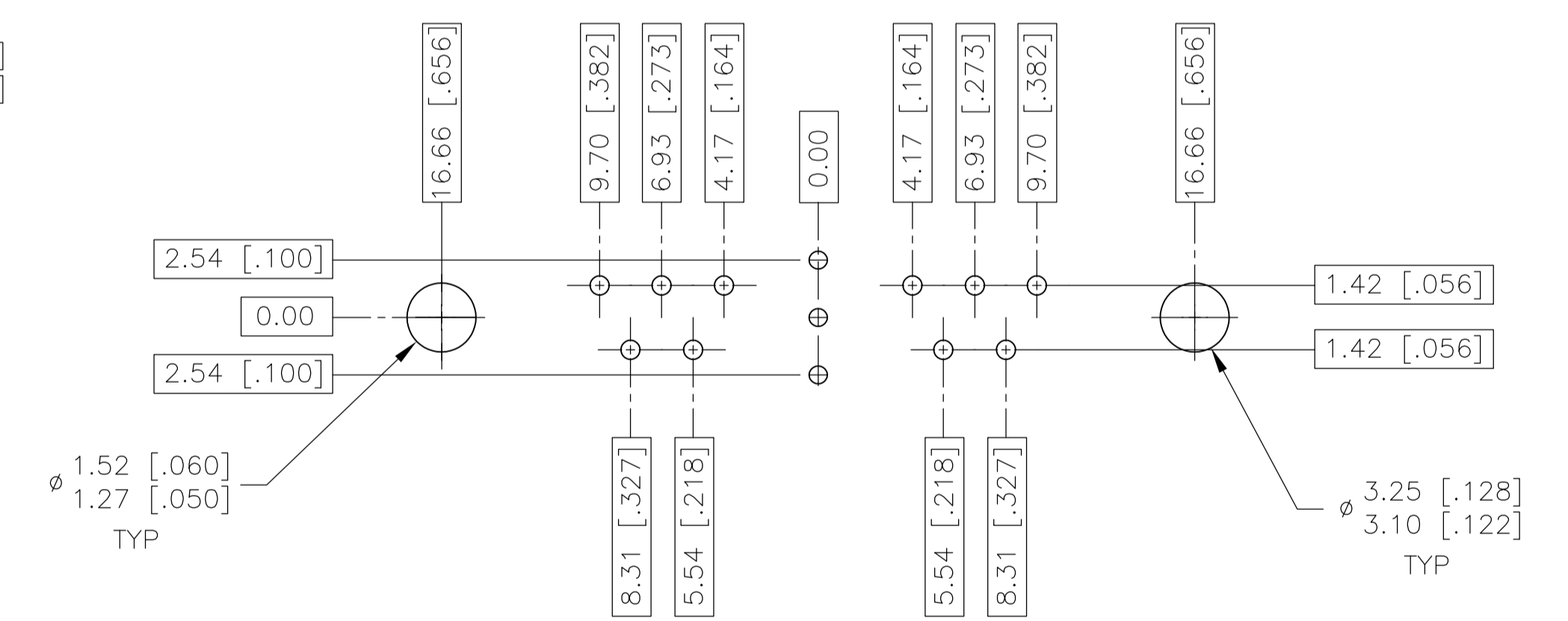
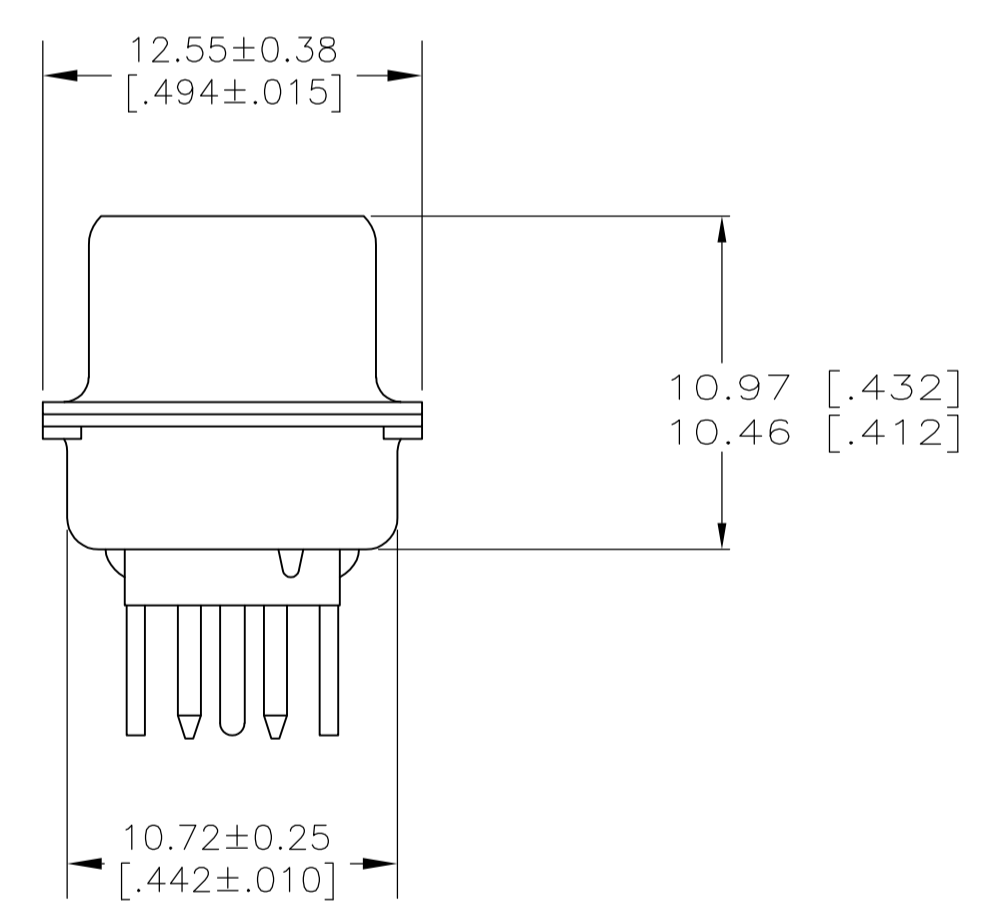
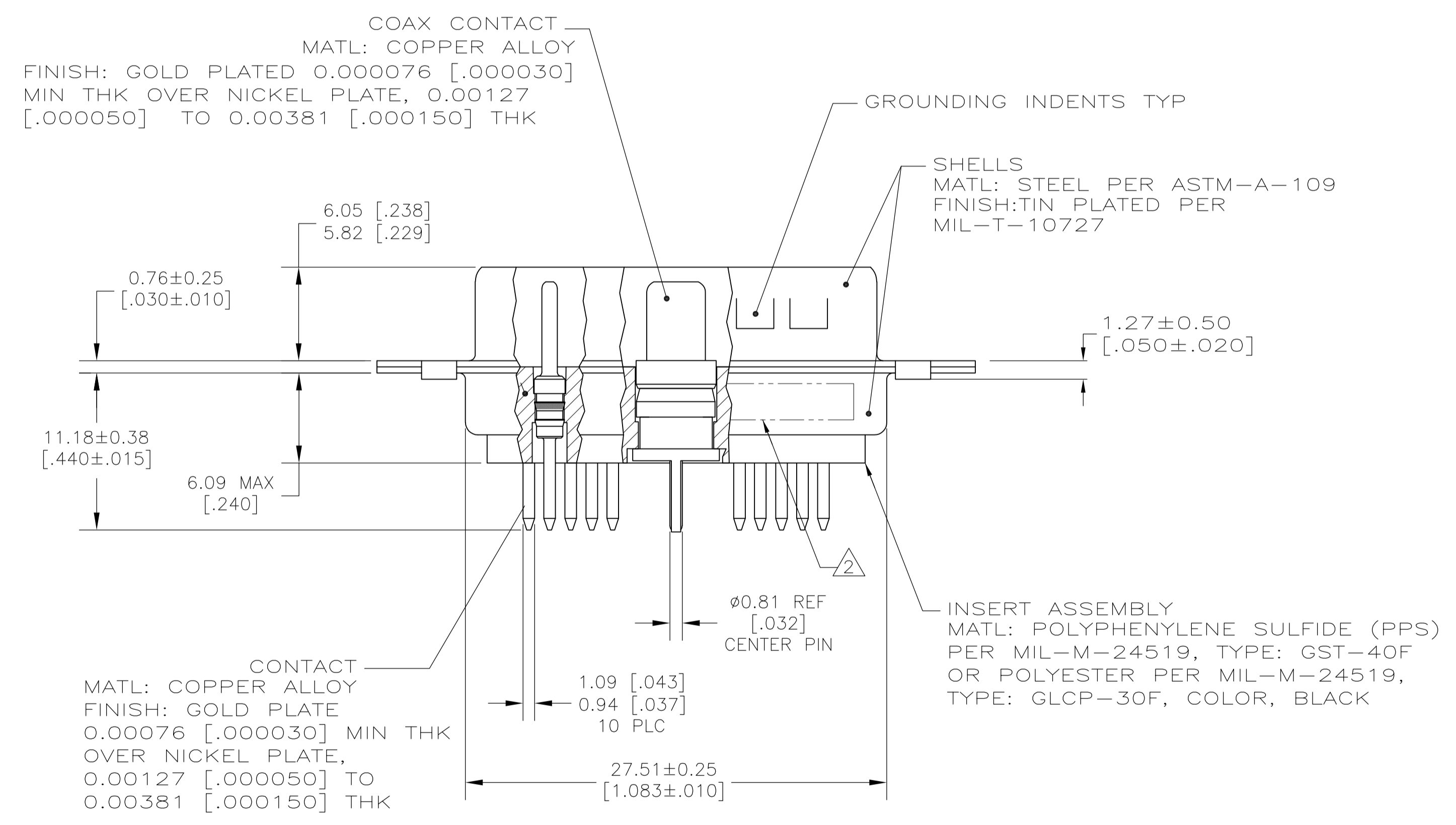


LOC		DIST		REVISIONS			
F	LTR	DESCRIPTION	DATE	DN	APVD		
F		REVISED PER ECO-09-021969	14OCT09	PY	RL		



1. THE CONNECTORS DESCRIBED IN THIS DOCUMENT SHALL BE CAPABLE OF MEETING THE REQUIREMENTS OF 108-1770-1 AND MATE WITH ANY APPLICABLE RECEPTACLE CONNECTOR WITH SAME INSERT ARRANGEMENT
2. MARKED WITH WITH 1.19 [.047] - 1.57 [.062] HIGH CHARACTERS. FAR SIDE REFERS TO THE WIDE SIDE OF THE KEYSTONE. NEAR SIDE REFERS TO THE NARROW SIDE OF OF THE KEYSTONE. MARK AS FOLLOWS:
 - A. TE PART NUMBER ON REAR SHELL, NEAR SIDE.
 - B. "TE" AND DATE CODE ON REAR SHELL, FAR SIDE.
3. UL/CSA DESIGNATION STAMPED IN THIS AREA, OPTIONAL
4. CENTER CONDUCTOR OF THE COAX CONTACT IS ONLY COMPATIBLE WITH A .040 [1.02] DIA MATING PIN



RECOMMENDED P.C. BOARD LAYOUT
 SHELL SIZE 2 (11C1 POSITION)

1218763-1
 PART NO.

THIS DRAWING IS A CONTROLLED DOCUMENT.		DN C.C. THOMAS 6-28-00	Tyco Electronics Corporation Harrisburg, PA 17105-3608												
DIMENSIONS: INCHES		CHK D. MILLER 9-18-00	NAME ASSEMBLY, AMPLIMITE, PLUG, LOW PROFILE, 11C1 POSTED, SIZE 2, SERIES 109												
TOLERANCES UNLESS OTHERWISE SPECIFIED:		APVD D. MILLER 9-18-00	PRODUCT SPEC												
<table border="1"> <tr><td>0 PLC</td><td>± .005</td></tr> <tr><td>1 PLC</td><td>± .005</td></tr> <tr><td>2 PLC</td><td>± .005</td></tr> <tr><td>3 PLC</td><td>± .005</td></tr> <tr><td>4 PLC</td><td>± .005</td></tr> <tr><td>ANGLES</td><td>± .005</td></tr> </table>		0 PLC	± .005	1 PLC	± .005	2 PLC	± .005	3 PLC	± .005	4 PLC	± .005	ANGLES	± .005	APPLICATION SPEC	
0 PLC	± .005														
1 PLC	± .005														
2 PLC	± .005														
3 PLC	± .005														
4 PLC	± .005														
ANGLES	± .005														
MATERIAL SEE CALLOUTS		WEIGHT	SIZE A1	RESTRICTED TO											
FINISH SEE CALLOUTS		DRAWING NO. 000779	SCALE 4:1 SHEET 1 OF 1 REV F												
CUSTOMER DRAWING		1218763													

单击下面可查看定价，库存，交付和生命周期等信息

[>>TE Connectivity\(泰科\)](#)