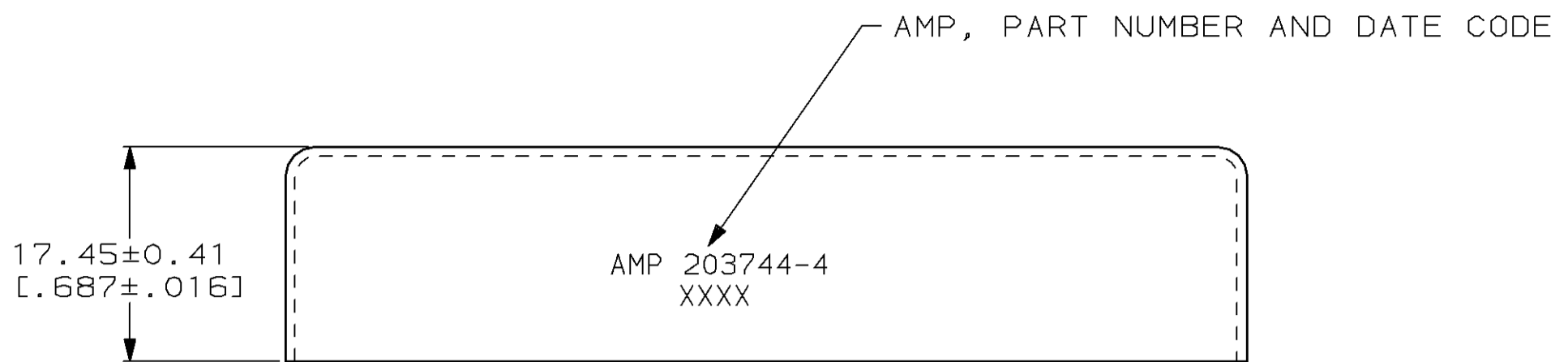
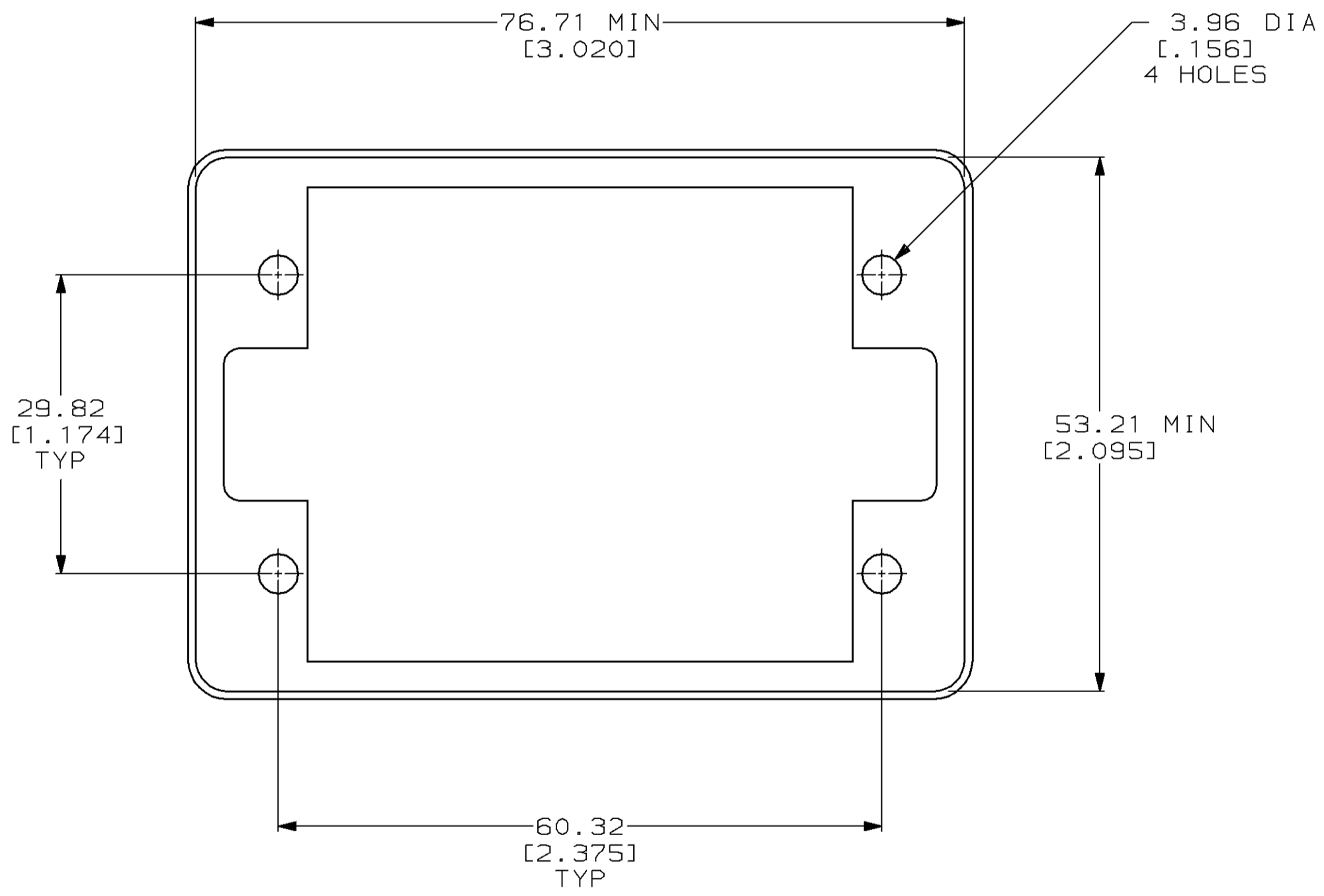


THIS DRAWING IS UNPUBLISHED. RELEASED FOR PUBLICATION
 BY AMP INCORPORATED. ALL RIGHTS RESERVED.

LOC	DIST	REVISIONS			
P	LTR	DESCRIPTION	DATE	DWN	APVD
BD	36	D	REDRAWN PER EC 0020-930-95	28 SEP 95	-



- 1 0.79 [.031] THICK CARBON STEEL.
- 2 5.08µm [.000200] MIN NICKEL.



203744-4
 PART NUMBER

<small>THIS DRAWING IS A CONTROLLED DOCUMENT FOR AMP INCORPORATED. IT IS SUBJECT TO CHANGE AND THE CONTROLLING ENGINEERING ORGANIZATION SHOULD BE CONTACTED FOR THE LATEST REVISION.</small>		DWN C. DORWART 28 SEP 95 CHK R. STONE 29 SEP 95 APVD G. STEINHAEUER 04 OCT 95	AMP AMP Incorporated Harrisburg, PA 17105-3608
DIMENSIONS: mm [INCH]	TOLERANCES UNLESS OTHERWISE SPECIFIED: 0 PLC ±- 1 PLC ±- 2 PLC ±0.13 [.005] 3 PLC ±- 4 PLC ±- ANGLES ±- FINISH	NAME G. STEINHAEUER PRODUCT SPEC - APPLICATION SPEC - WEIGHT -	PIN HOOD, 160 POSITION, EXTERNAL, M SERIES SIZE A2 CAGE CODE 00779 DRAWING NO C-203744
MATERIAL 1	FINISH 2	CUSTOMER DRAWING	SCALE 2:1 SHEET 1 OF 1 REV D

单击下面可查看定价，库存，交付和生命周期等信息

[>>TE Connectivity\(泰科\)](#)