

- CONNECTOR DIMENSIONS ARE PER ARINC 600 SPECIFICATION UNLESS OTHERWISE SPECIFIED.
- CONNECTOR IS SUPPLIED WITH CONTACTS (PER TABLE) ASSEMBLED AS SHOWN.
- KEYING SHOWN IN POSITION "01" FOR ILLUSTRATION ONLY. CONNECTORS SHIPPED WITH KEYING INSTALLED IN POSITION PER TABLE.
- WITH CONTACT FULLY SEATED TO REAR OF CAVITY.
- FILLER PLUGS ARE SHOWN AS CROSSHATCHED AREAS IN CAVITIES.

COMPONENT	MATERIAL	FINISH
SHELL	DIE CAST ALUMINUM PER ASTM-B-85	ELECTROLESS NICKEL PER MIL-C-26074 CLASS 3 OR 4, GRADE B
RETENTION PLATES	ALUMINUM ALLOY PER ASTM-B-209	ELECTROLESS NICKEL PER MIL-C-26074 CLASS 3 OR 4, GRADE B
SCREWS AND LOCKWASHERS	STEEL OR STAINLESS STEEL	CHROMATE OVER ZINC OR PASSIVATED
KEYWAY	ZINC ALLOY PER ASTM-B-86	-
62Q2 INSERT	THERMOSET	-
KEYWAY RETAINING PLATE	ALUMINUM ALLOY PER ASTM-B-209	BLUE ANODIZED PER MIL-A-8625
QUADRAX INSERTS	ALUMINUM ALLOY PER ASTM-B-209	ELECTROLESS NICKEL PER MIL-C-26074 CLASS 3 OR 4, GRADE B
FILLER PLUGS	ALUMINUM ALLOY PER ASTM-B-211	ELECTROLESS NICKEL PER MIL-C-26074

68	MODULE A & B: SIZE 8 QUADRAX: 1445626-4 (QTY=14) SIZE 8 FILLER PLUG: 1663983-1 (QTY=8) CONTACTS & PLUGS LOADED AS SHOWN	1757138-1
KEYING POSITION	CONTACTS INCLUDED AND INSTALLED	PART NUMBER

THIS DRAWING IS A CONTROLLED DOCUMENT.

DIMENSIONS: INCHES	TOLERANCES UNLESS OTHERWISE SPECIFIED:	0 PLC ± .005	1 PLC ± .005	2 PLC ± .005	3 PLC ± .005	4 PLC ± .005	ANGLES ± .005
--------------------	--	--------------	--------------	--------------	--------------	--------------	---------------

MATERIAL SEE TABLE FINISH SEE TABLE

APPROVED: S. GLATFELTER

DATE: 5-25-04

NAME: RCPT ASSY, SIZE 2, ARINC 600 (11Q11/11Q11/62T2 SPECIAL)

SIZE: A1

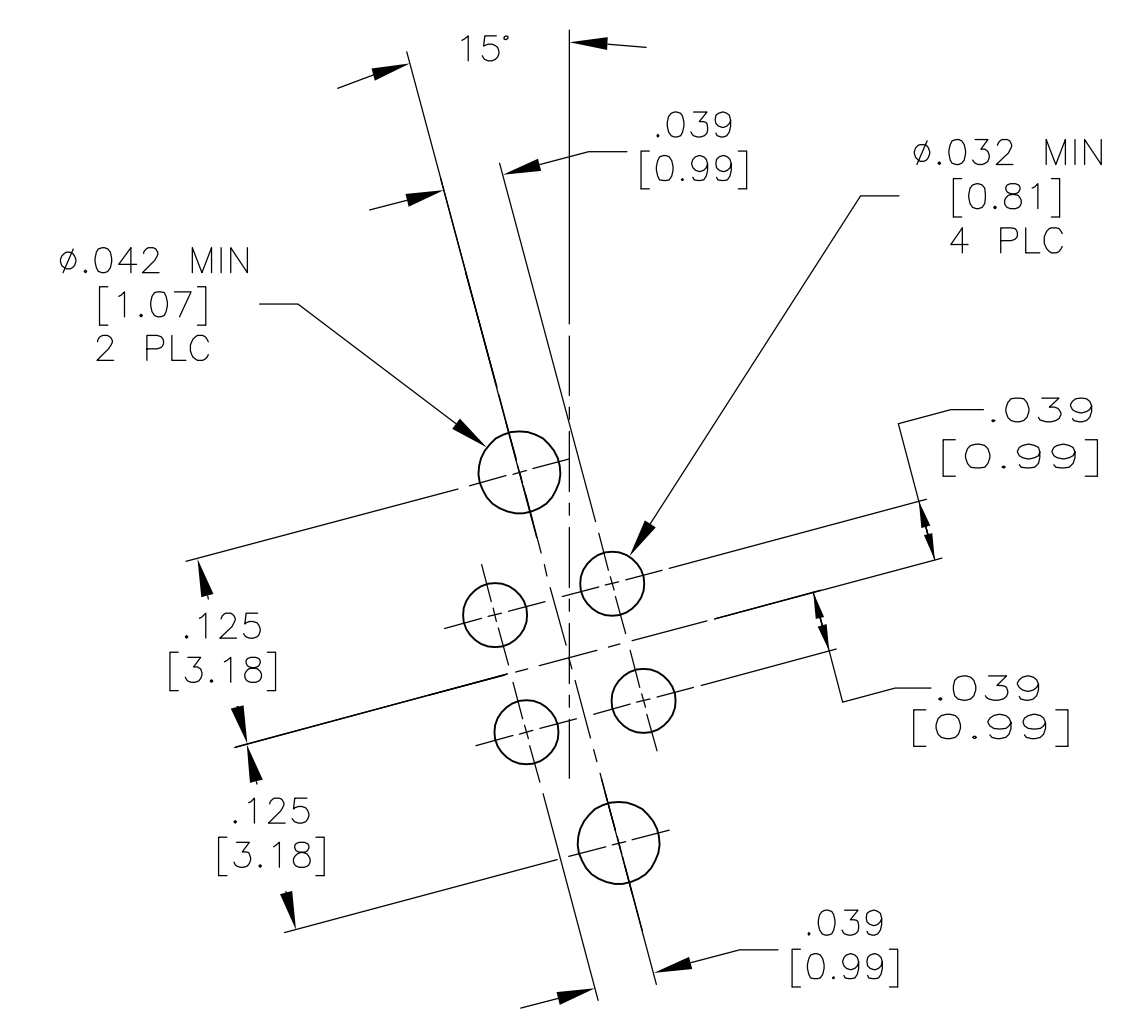
WEIGHT: 1.00779

CUSTOMER DRAWING

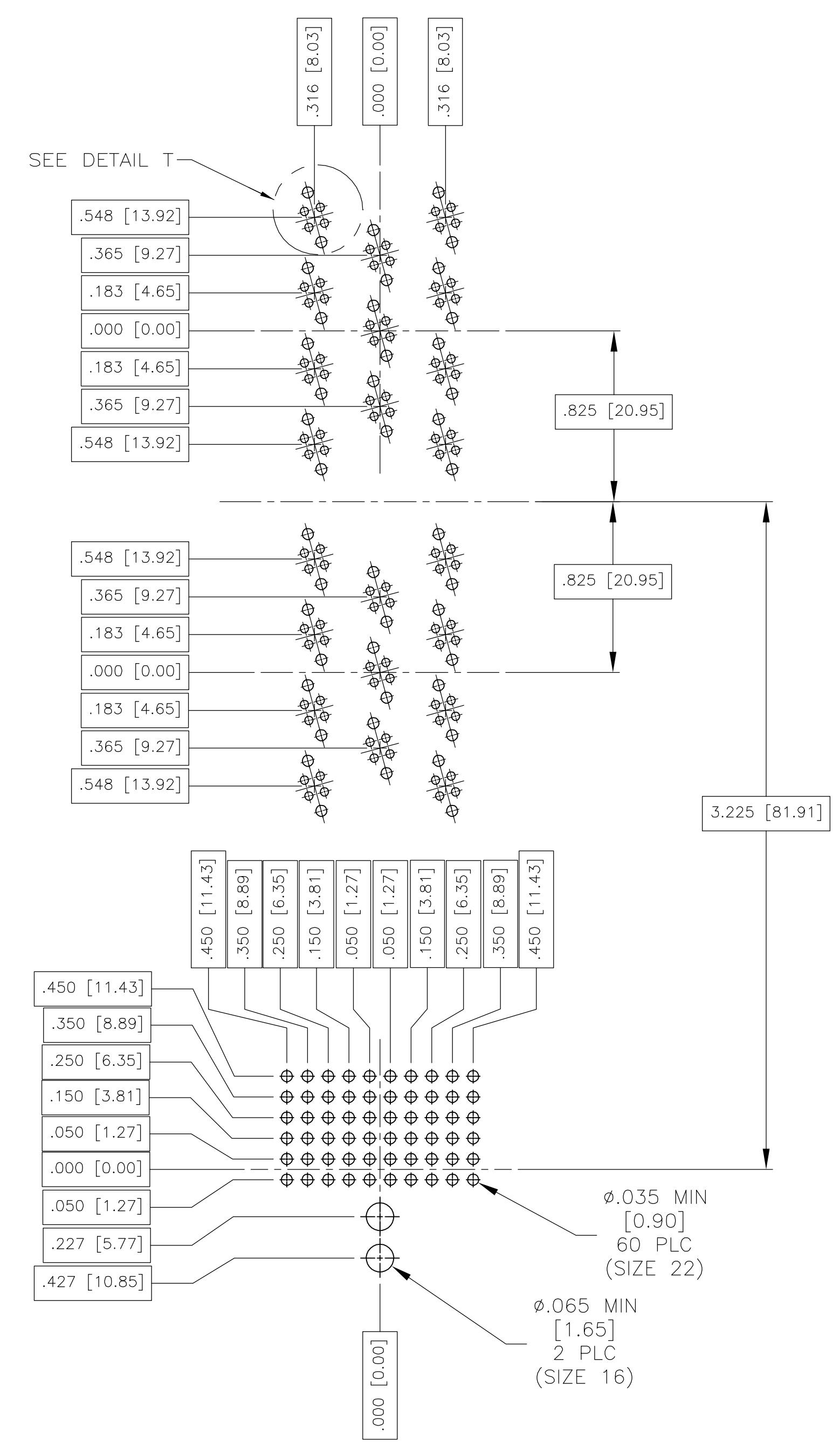
SCALE: 1.5:1

SHEET: 1 OF 2

REV: B



DETAIL T
SCALE NTS
22 PLC



THIS DRAWING IS A CONTROLLED DOCUMENT.		DIN C.C.THOMAS 5-25-04		Tyco Electronics Corporation Harrisburg, Pa 17105-3608																			
DIMENSIONS: INCHES		CHK S.GLATFELTER 5-25-04		APVD S.GLATFELTER 5-25-04	NAME RCPT ASSY, SIZE 2, ARINC 600 (11Q11/11Q11/62T2 SPECIAL)																		
TOLERANCES UNLESS OTHERWISE SPECIFIED:		<table border="1"> <tr><td>0 PLC</td><td>±</td><td>-</td></tr> <tr><td>1 PLC</td><td>±</td><td>-</td></tr> <tr><td>2 PLC</td><td>±</td><td>-</td></tr> <tr><td>3 PLC</td><td>±</td><td>-</td></tr> <tr><td>4 PLC</td><td>±</td><td>-</td></tr> <tr><td>ANGLES</td><td>±</td><td>-</td></tr> </table>		0 PLC	±	-	1 PLC	±	-	2 PLC	±	-	3 PLC	±	-	4 PLC	±	-	ANGLES	±	-	APPLICATION SPEC	
0 PLC	±	-																					
1 PLC	±	-																					
2 PLC	±	-																					
3 PLC	±	-																					
4 PLC	±	-																					
ANGLES	±	-																					
MATERIAL SEE TABLE		FINISH SEE TABLE		WEIGHT -	RESTRICTED TO -																		
CUSTOMER DRAWING		SIZE A1	CAGE CODE 00779	DRAWING NO C=1757138	SCALE 1.5:1																		
		SHEET 2	OF 2	REV B																			

单击下面可查看定价，库存，交付和生命周期等信息

[>>TE Connectivity\(泰科\)](#)