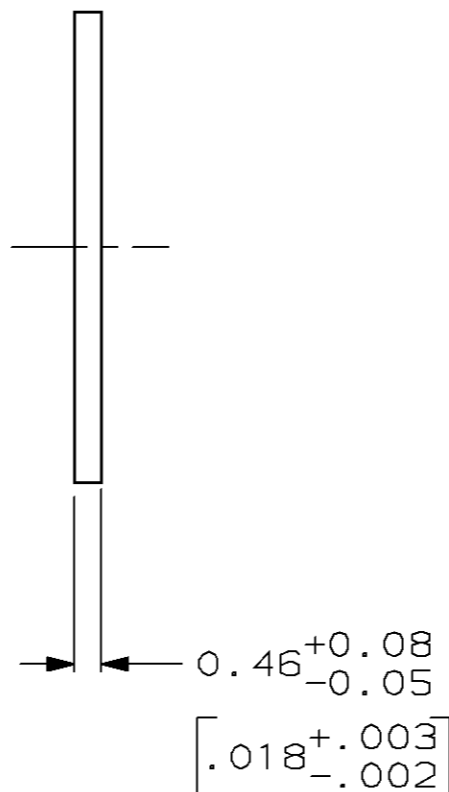
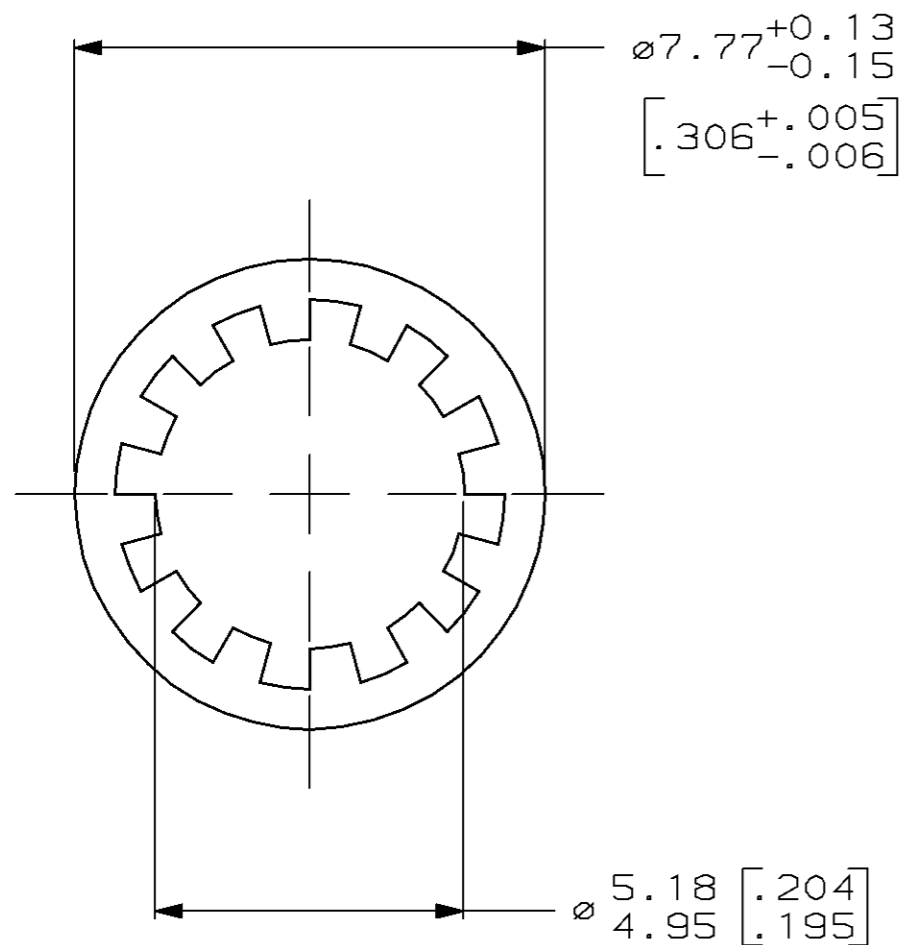


THIS DRAWING IS UNPUBLISHED. RELEASED FOR PUBLICATION, 19 .  
 © COPYRIGHT 19 BY AMP INCORPORATED. ALL RIGHTS RESERVED.

LOC	DIST	REVISIONS					
		P	LTR	DESCRIPTION	DATE	DWN	APVD
AJ	16		0	RELEASED CUSTOMER DRAWING PER 0503-0324-97	2-3-97	JG	SB
			A	REVISED PER 0503-0603-97	9-30-97	JG	SB



- 1 MATERIAL: PHOSPHOR BRONZE PER (QQ-B-750)
- 2 2.54  $\mu\text{m}$  [.000100] MIN THK NICKEL PLATE OVER  
1.27  $\mu\text{m}$  [.000050] MIN THK COPPER PLATE
- 3 0.76  $\mu\text{m}$  [.000030] MIN THK GOLD PLATE OVER  
2.54  $\mu\text{m}$  [.000100] MIN THK NICKEL PLATE OVER  
1.27  $\mu\text{m}$  [.000050] MIN THK COPPER PLATE

3	415001-3
2	415001-2
FINISH	PART NUMBER

THIS DRAWING IS A CONTROLLED DOCUMENT.		DWN J.L.GROFT	<b>AMP</b> AMP Incorporated Harrisburg, PA 17105-3608			
DIMENSIONS: mm [INCHES]		CHK S.W.BURHOLDER				
TOLERANCES UNLESS OTHERWISE SPECIFIED:		APVD S.W.BURHOLDER	NAME <b>LOCKWASHER</b>			
0 PLC ±- 1 PLC ±- 2 PLC ±- 3 PLC ±- 4 PLC ±- ANGLES ±-		PRODUCT SPEC -				
MATERIAL 1		FINISH 2 3	APPLICATION SPEC -	SIZE A3	CAGE CODE 00779	DRAWING NO C-415001
CUSTOMER DRAWING			WEIGHT -	SCALE 8:1	SHEET 1 OF 1	REV A

单击下面可查看定价，库存，交付和生命周期等信息

[>>TE Connectivity\(泰科\)](#)