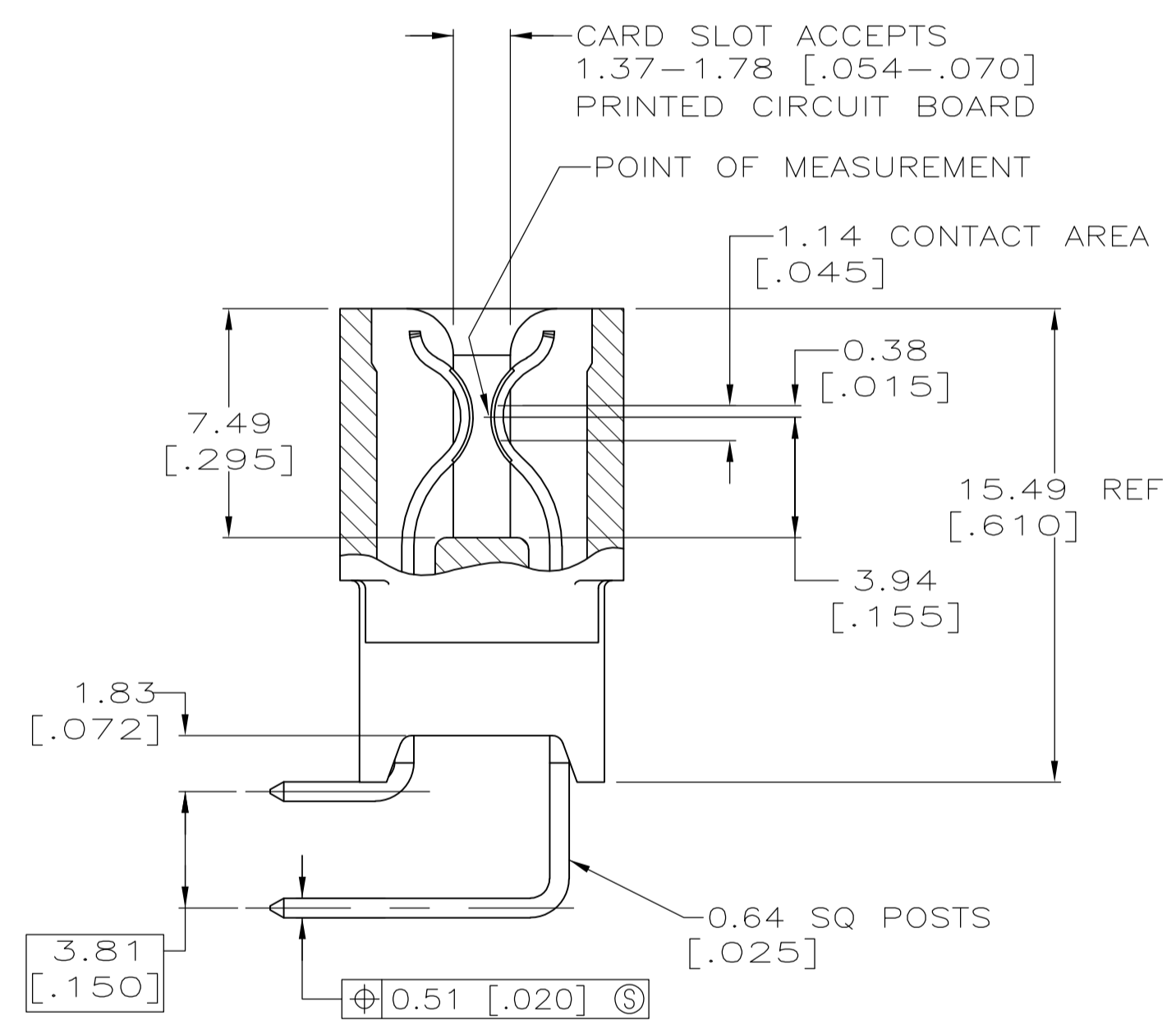
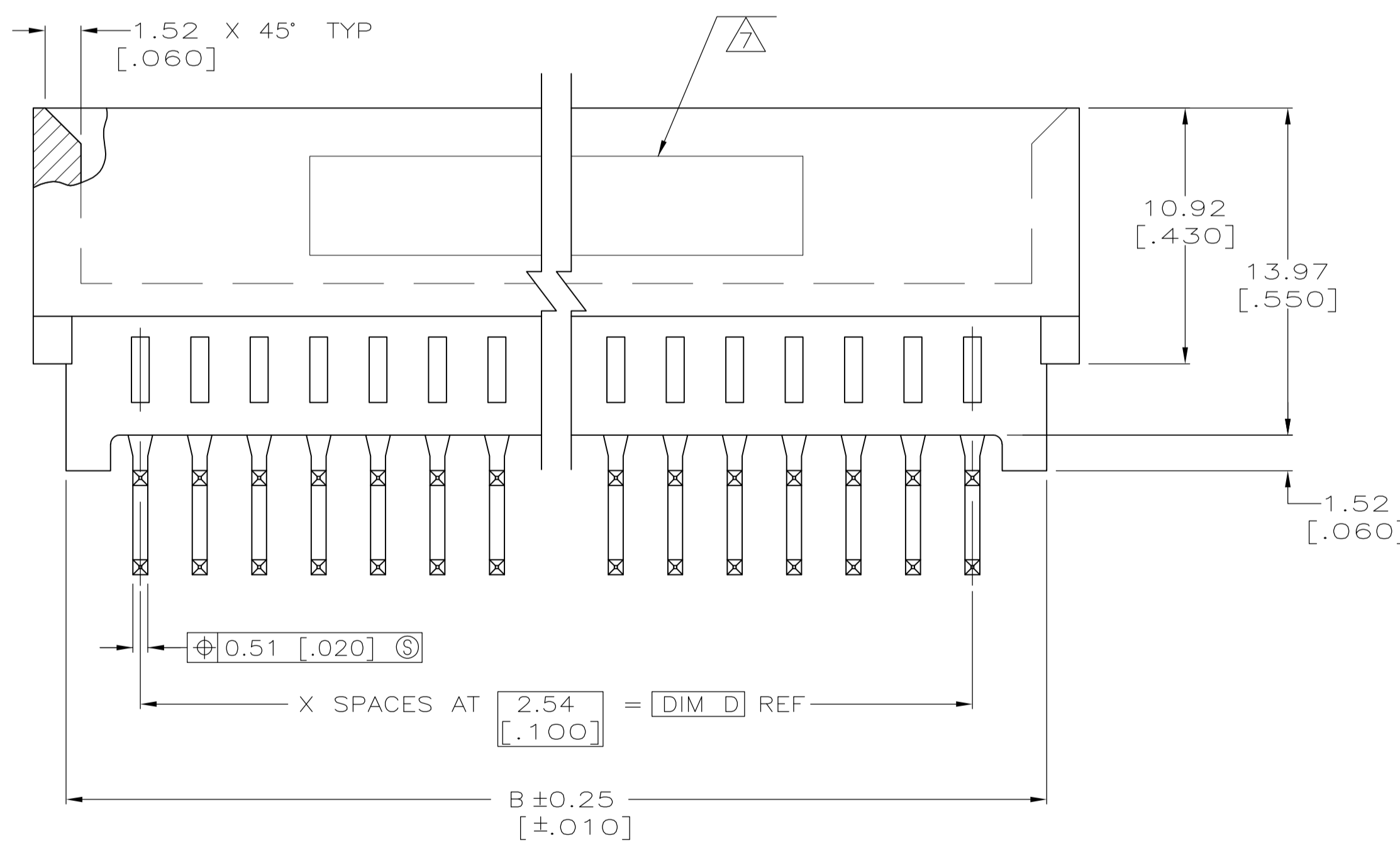
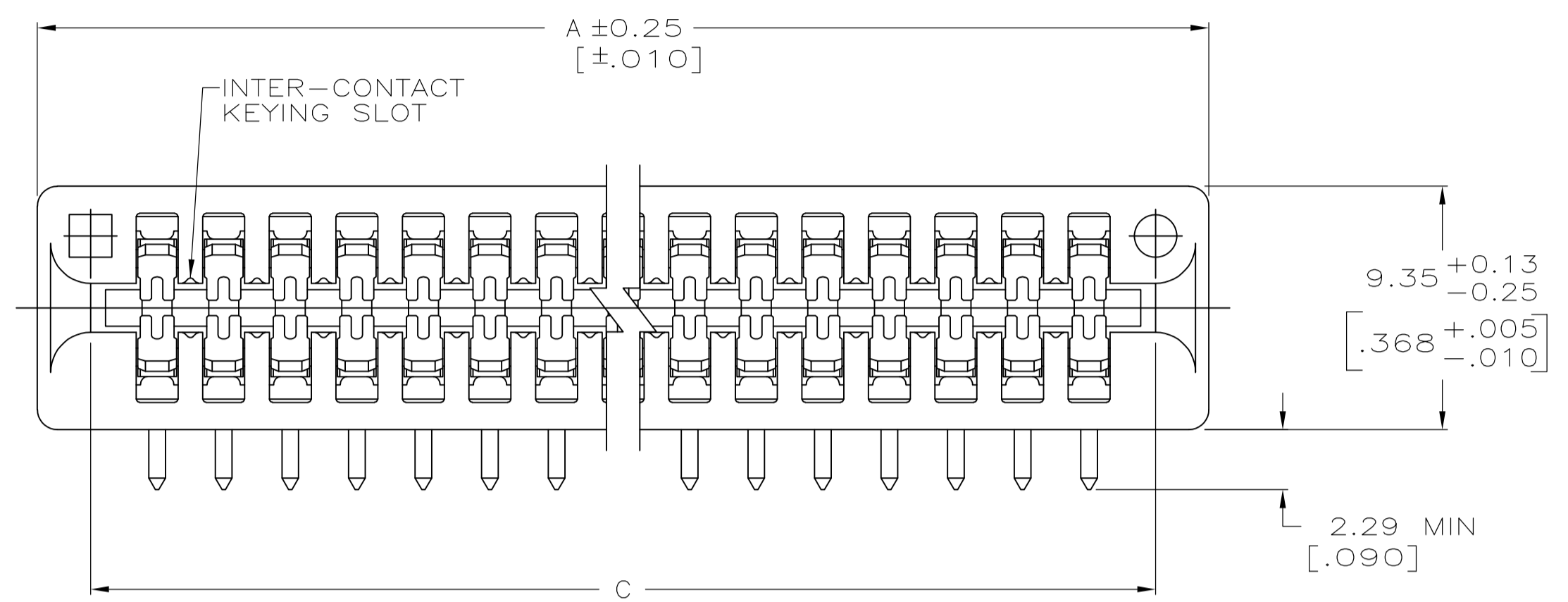


LOC		DIST		REVISIONS			
GP	00	REV	DESCRIPTION	DATE	BY	APPV	
R		R1	REVISED PER EC 0515-0061-05	27 APR 05	AWF	AWF	
R1		R1	REVISED PER ECO-09-021826	OBJAN10	KK	AEG	

- ① HOUSING: GLASS FILLED POLYESTER; COLOR: BLACK.
- ② CONTACT: PHOSPHOR BRONZE.
- ③ NICKEL UNDERPLATE: 0.00127 [.000050] MIN - ALL OVER.
- ④ TIN-LEAD PLATE: 0.00254 [.000100] MIN - SOLDER POSTS.
- ⑤ GOLD PLATE: 0.00038 [.000015] MIN - CONTACT AREA.
- ⑥ NICKEL PLATE PER MIL-G-45204.  
GOLD PLATE PER QQ-N-290.
- ⑦ AMP PART NUMBER AND DATE CODE ARE MARKED IN APPROXIMATE AREA SHOWN, EITHER SIDE.
- ⑧ RECOMMENDED PCB FINISHED HOLE DIA: 1.07±0.08 [.042±.003].
- ⑨ OBSOLETE PARTS: OBSOLETE CIS STREAMLINING PER D.RENAUD/D.SINISI



REV	DESCRIPTION	D	C	B	A	X	NO OF POSN	PART NUMBER
9	SUPERSEDED BY 5532600-6	45.72 [1.800]	50.80 [2.000]	52.07 [2.050]	54.864 [2.160]	18	19	532600-6
		78.74 [3.100]	83.82 [3.300]	85.09 [3.350]	87.88 [3.460]	31	32	532600-5
		76.20 [3.000]	81.28 [3.200]	82.55 [3.250]	85.34 [3.360]	30	31	532600-4
	OBSOLETE	-	-	-	-	-	50	532600-3
9	SUPERSEDED BY 5532600-2	60.96 [2.400]	66.04 [2.600]	67.31 [2.650]	70.10 [2.760]	24	25	532600-2
	OBSOLETE	-	-	-	-	-	18	532600-1
		D	C	B	A	X	NO OF POSN	PART NUMBER

THIS DRAWING IS A CONTROLLED DOCUMENT.

APPROVED: R. SHIREY/UTA 10/30/91  
 CHK: J. DIORAZIO 2-27-92  
 NAME: M. THUMMA 2-27-92

Product: CONNECTOR ASSEMBLY, STANDARD EDGE II, 2.54 [.100]

Application Spec: 108-9039

Material: 1 2  
 Finish: 3 4 5 6

Customer Drawing: A1 00779 C=532600

Scale: 5:1, Sheet: 1 of 1, Rev: R1

单击下面可查看定价，库存，交付和生命周期等信息

[>>TE Connectivity\(泰科\)](#)