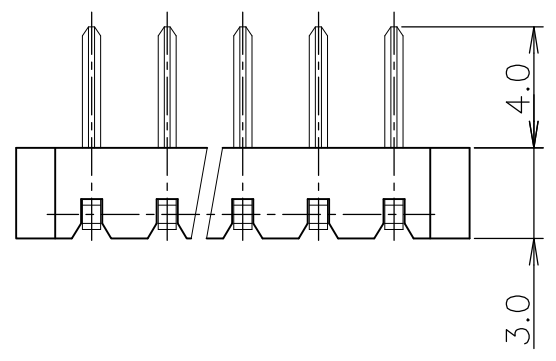
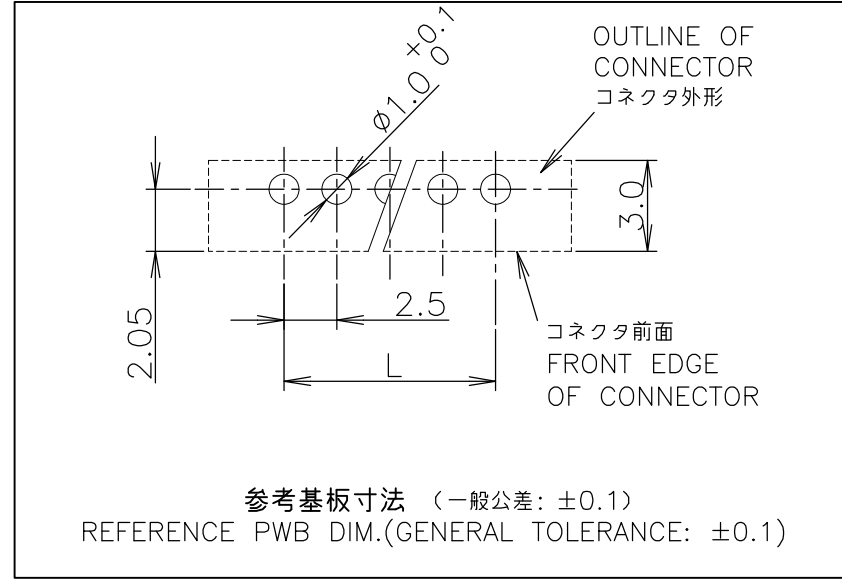
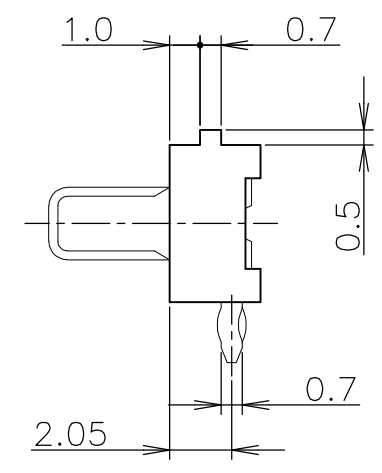
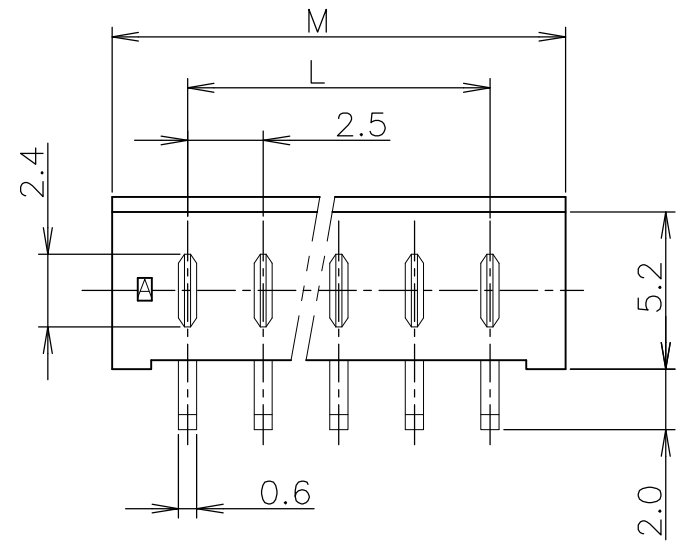


THIS DRAWING IS UNPUBLISHED. RELEASED FOR PUBLICATION AUG, 2004.  
 © COPYRIGHT 2004 BY TYCO ELECTRONICS CORPORATION. ALL RIGHTS RESERVED.

| LOC | DIST | REVISIONS<br>変更 |             |               |         |     |     |
|-----|------|-----------------|-------------|---------------|---------|-----|-----|
| P   | LTR  | DESCRIPTION     | DATE        | DWN           | APVD    |     |     |
| J   | /    | 0               | RELEASED    | FJB0-0700-04  | 05AUG04 | H.T | K.I |
|     |      | 01              | REVISED PER | ECO-10-000444 | 19JAN10 | KK  | HMR |



1 一般公差  $\pm 0.3$   
 2 材質  
 ベース: 熱可塑性樹脂, 黒色  
 ポスト: 銅合金  
 全面: ニッケル下地めっき  
 接触部: 金めっき 0.1  $\mu$ m MIN.  
 半田付け部: 金めっき

1 GENERAL TOLERANCE:  $\pm 0.3$   
 2 MATERIALS  
 BASE: THERMOPLASTIC, BLACK  
 POST: COPPER ALLOY  
 0.1  $\mu$ m MIN. GOLD  
 OVER NICKEL PLATE (CONTACT AREA)  
 Au PLATE OVER NICKEL PLATE (TAIL AREA)

3 OBSOLETE PARTS: OBSOLETE CIS STREAMLINING PER D.RENAUD/D.SINISI

| 6-6447143-3            | 3900076-06          | 6                | 12.5    | 17.5      |              |
|------------------------|---------------------|------------------|---------|-----------|--------------|
| 6-6447143-2            | 3900076-05          | 5                | 10.0    | 15.0      |              |
| 6437118-5              | 3900076-04          | 4                | 7.5     | 12.5      |              |
| 3 OBSOLETE 4-6447141-9 | 3900076-03          | 3                | 5.0     | 10.0      |              |
| PART NO.<br>型番         | OLD PART NO.<br>旧型番 | NO.OF POS.<br>極数 | L<br>寸法 | M<br>SIZE | REMARK<br>備考 |

鉛フリー  
LEAD FREE

|                                                                                                     |  |                                   |                                              |                                 |                    |
|-----------------------------------------------------------------------------------------------------|--|-----------------------------------|----------------------------------------------|---------------------------------|--------------------|
| THIS DRAWING IS A CONTROLLED DOCUMENT.                                                              |  | DWN<br>H.TAKASU<br>05AUG04        | Tyco Electronics AMP K.K.<br>Kawasaki, Japan |                                 |                    |
| DIMENSIONS:<br>単位: 耗<br>mm                                                                          |  | CHK<br>T.KIMURA<br>05AUG04        |                                              |                                 |                    |
| TOLERANCES UNLESS OTHERWISE SPECIFIED:<br>一般公差                                                      |  | APVD<br>K.IKEGAMI<br>05AUG04      | NAME<br>名称                                   |                                 |                    |
| 0 PLC $\pm$ -<br>1 PLC $\pm$ -<br>2 PLC $\pm$ -<br>3 PLC $\pm$ -<br>4 PLC $\pm$ -<br>ANGLES $\pm$ - |  | PRODUCT SPEC<br>製品規格<br>108-78126 | BU CONNECTOR FS3 HEADER G TYPE               |                                 |                    |
| MATERIAL<br>材料                                                                                      |  | FINISH<br>仕上                      | APPLICATION SPEC<br>取付適用規格                   | SIZE<br>A3                      | CAGE CODE<br>00779 |
|                                                                                                     |  |                                   | WEIGHT                                       | DRAWING NO<br>番号<br>G-6437118-5 | RESTRICTED TO      |
| CUSTOMER DRAWING                                                                                    |  |                                   | SCALE<br>尺度 4:1                              | SHEET<br>1 OF 1                 | REV<br>01          |

单击下面可查看定价，库存，交付和生命周期等信息

[>>TE Connectivity\(泰科\)](#)