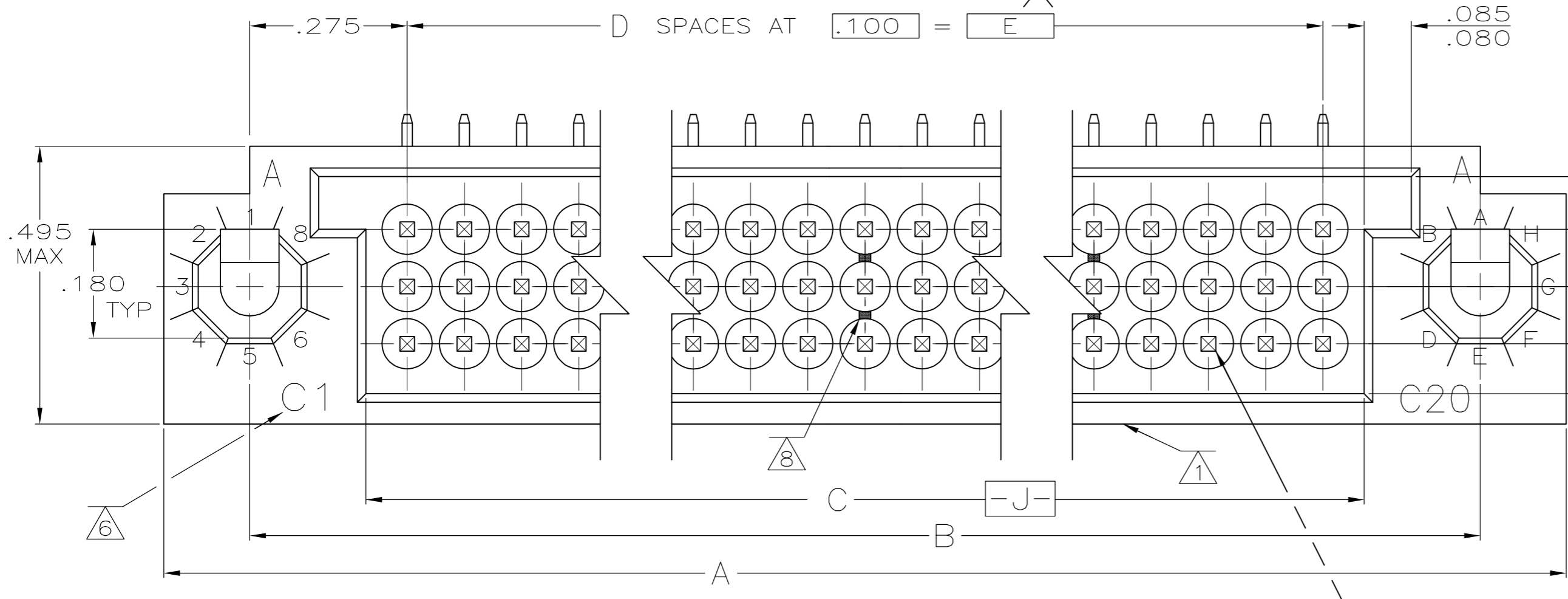
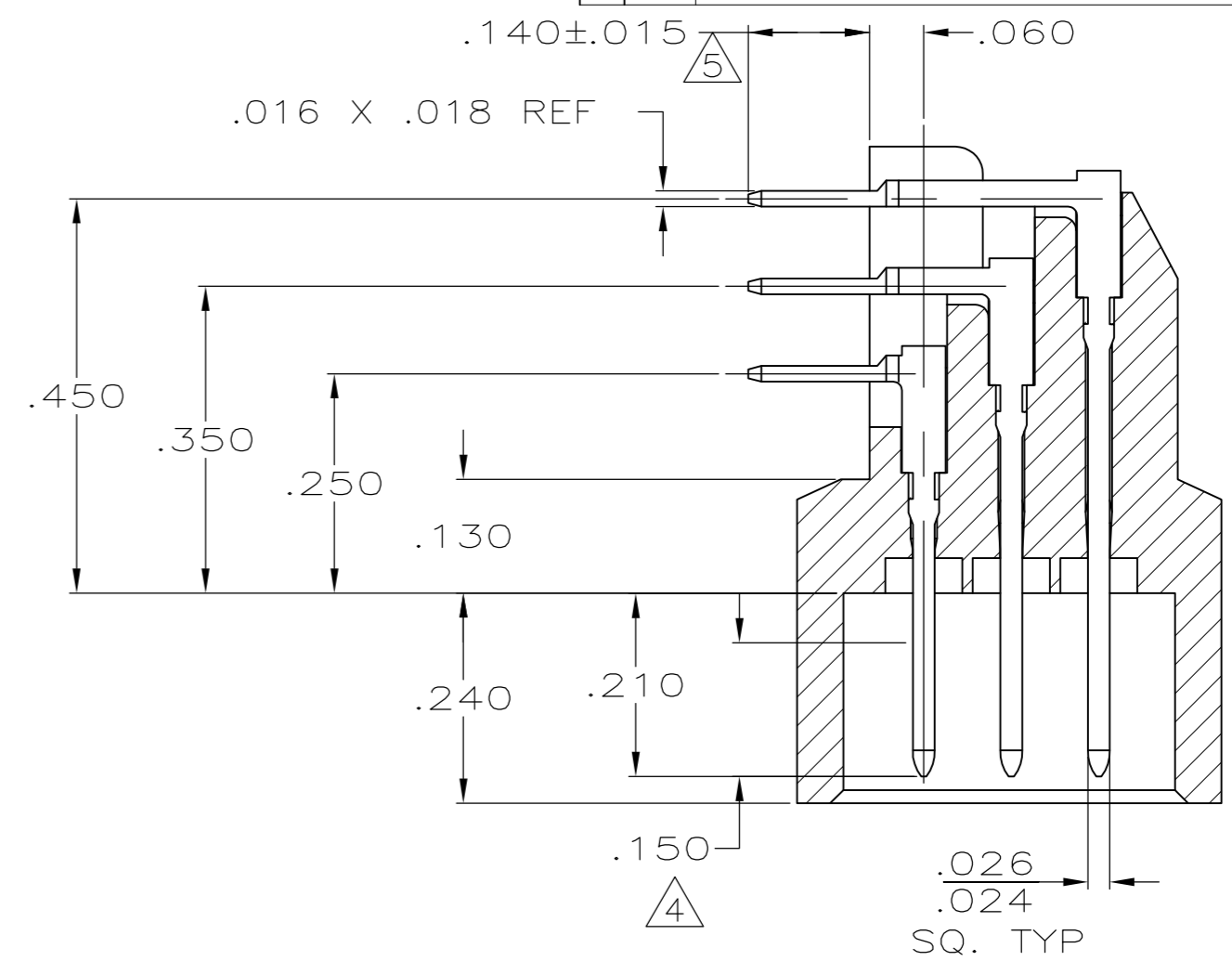
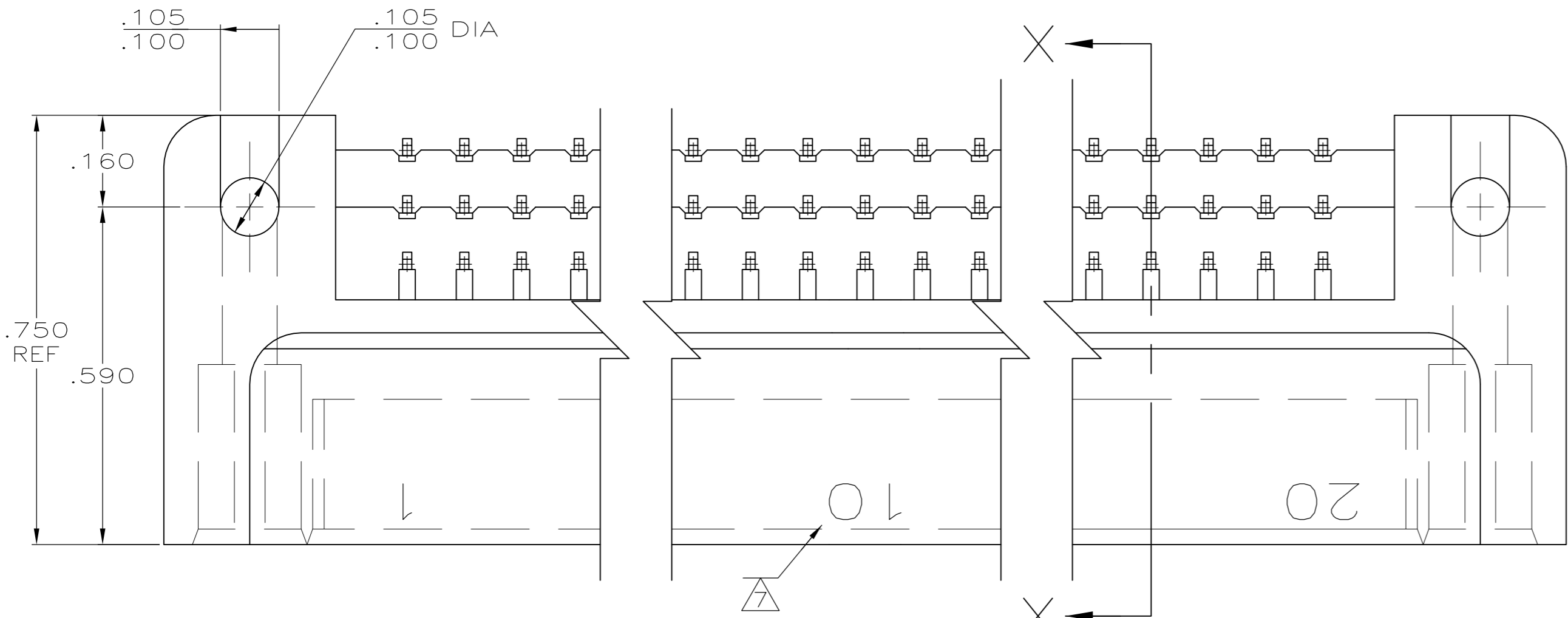


THIS DRAWING IS UNPUBLISHED. RELEASED FOR PUBLICATION  
 © COPYRIGHT BY TYCO ELECTRONICS CORPORATION. ALL INTERNATIONAL RIGHTS RESERVED.

LOC	DIST	REVISIONS					
DF	F0	P	LTR	DESCRIPTION	DATE	DWN	APVD
		E		REV PER ECO-09-017640	21AUG09	PY	DM



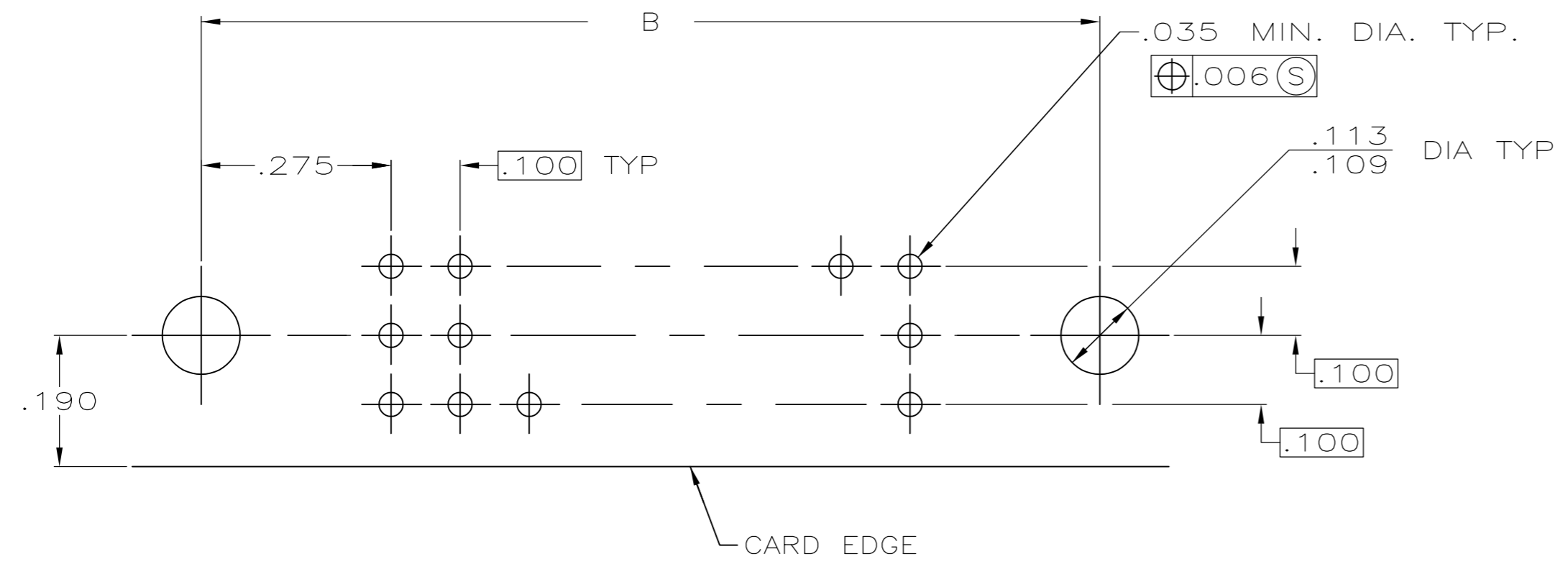
⊕.006 (S) H (S) J (S)

- ① AMP, DATE CODE, PART NO., MARKED THIS SIDE.
- ② HOUSING MATERIAL: POLYPHENYLENE SULFIDE, GST-40F, PER MIL-M-24519.
- ③ CONTACT MATERIAL: BRASS
- ④ FINISH: .000050 GOLD OVER .000050 NICKEL IN CONTACT AREA.
- ⑤ FINISH: .000100 TIN LEAD OVER .000050 NICKEL.
- ⑥ LETTERS INDICATING OUTSIDE ROWS AND NUMBERS INDICATING END CAVITIES MARKED THIS SURFACE.
- ⑦ NUMBERS INDICATING EVERY FIVE CAVITIES MARKED ON BOTH SIDES.
- ⑧ LINES INDICATING EVERY FIVE CAVITIES, EXCLUDING END CAVITIES, MARKED ON MATING FACE.

THIS DRAWING IS A CONTROLLED DOCUMENT.		DWN W.D.KISELA 4-23-93	Tyco Electronics Corporation Harrisburg, PA 17105-3608
DIMENSIONS: INCHES		CHK D.MILLER 5-10-93	
TOLERANCES UNLESS OTHERWISE SPECIFIED: 0 PLC ± - 1 PLC ± - 2 PLC ± - 3 PLC ± .010 4 PLC ± - ANGLES ± - FINISH		APVD -	NAME PIN HEADER ASSY, RIGHT ANGLE, 3-ROW, .100
MATERIAL		PRODUCT SPEC -	APPLICATION SPEC -
		WEIGHT -	RESTRICTED TO -
CUSTOMER DRAWING		SCALE 5:1	SHEET 1 of 2
		SIZE A2	DRAWING NO. 00779
		CAGE CODE C=532010	REV E

THIS DRAWING IS UNPUBLISHED. RELEASED FOR PUBLICATION  
 © COPYRIGHT BY TYCO ELECTRONICS CORPORATION. ALL INTERNATIONAL RIGHTS RESERVED.

LOC	DIST	REVISIONS					
DF	F0	P	LTR	DESCRIPTION	DATE	DWN	APVD
		-	-	SEE SHEET 1	-	-	-



PC BOARD LAYOUT

OBSOLETE	6.500	65	60644	7.050	7.350	198	532010-3
OBSOLETE	2.400	24	2.544	2.950	3.250	75	532010-2
	1.900	19	2.044	2.450	2.750	60	532010-1
	DIM E	DIM D	DIM C	DIM B	DIM A	POSITION	PART NO

THIS DRAWING IS A CONTROLLED DOCUMENT.		DWN	W.D.KISELA	4-23-93	Tyco Electronics Corporation Harrisburg, PA 17105-3608		
DIMENSIONS: INCHES		CHK	D.MILLER	5-10-93			
TOLERANCES UNLESS OTHERWISE SPECIFIED:		APVD	-	-	NAME		
0 PLC ± - 1 PLC ± - 2 PLC ± - 3 PLC ± .010 4 PLC ± - ANGLES ± -		PRODUCT SPEC	-	PIN HEADER ASSY, RIGHT ANGLE, 3-ROW, .100			
MATERIAL		APPLICATION SPEC	-	SIZE	CAGE CODE	DRAWING NO	RESTRICTED TO
FINISH		WEIGHT	-	A2	00779	C=532010	-
		CUSTOMER DRAWING		SCALE	SHEET	REV	
				-	2 of 2	E	

CUSTOMER DRAWING

532010

单击下面可查看定价，库存，交付和生命周期等信息

[>>TE Connectivity\(泰科\)](#)