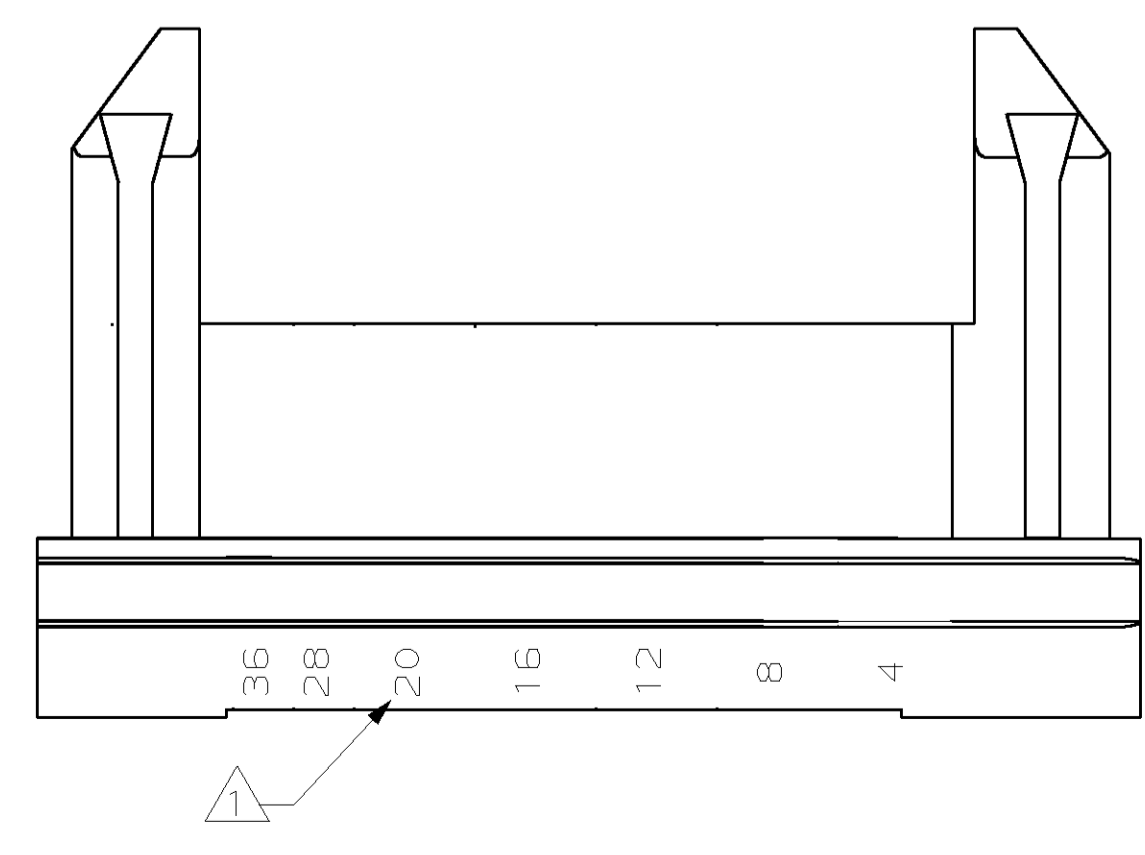
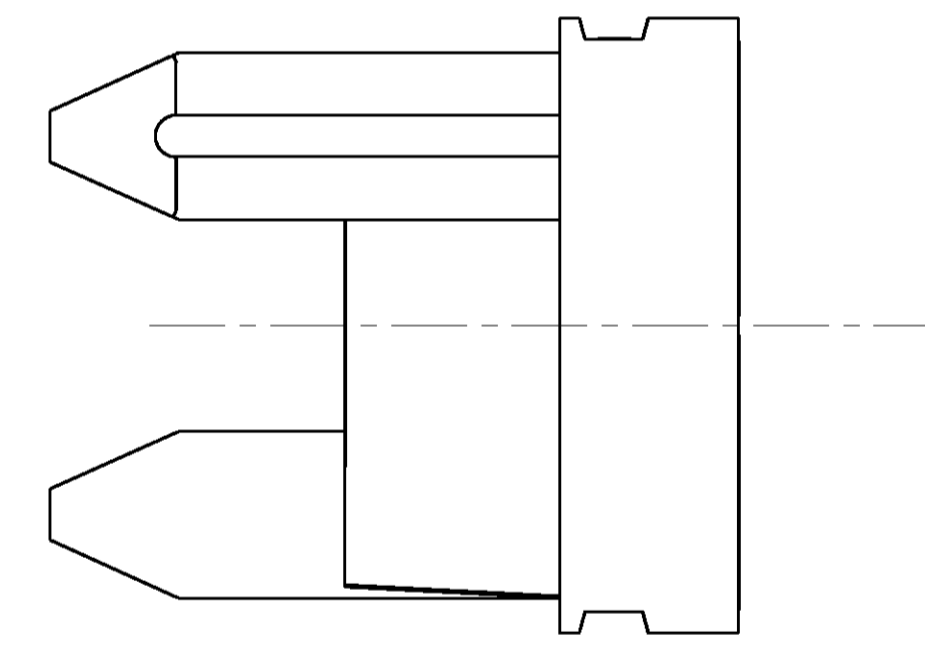
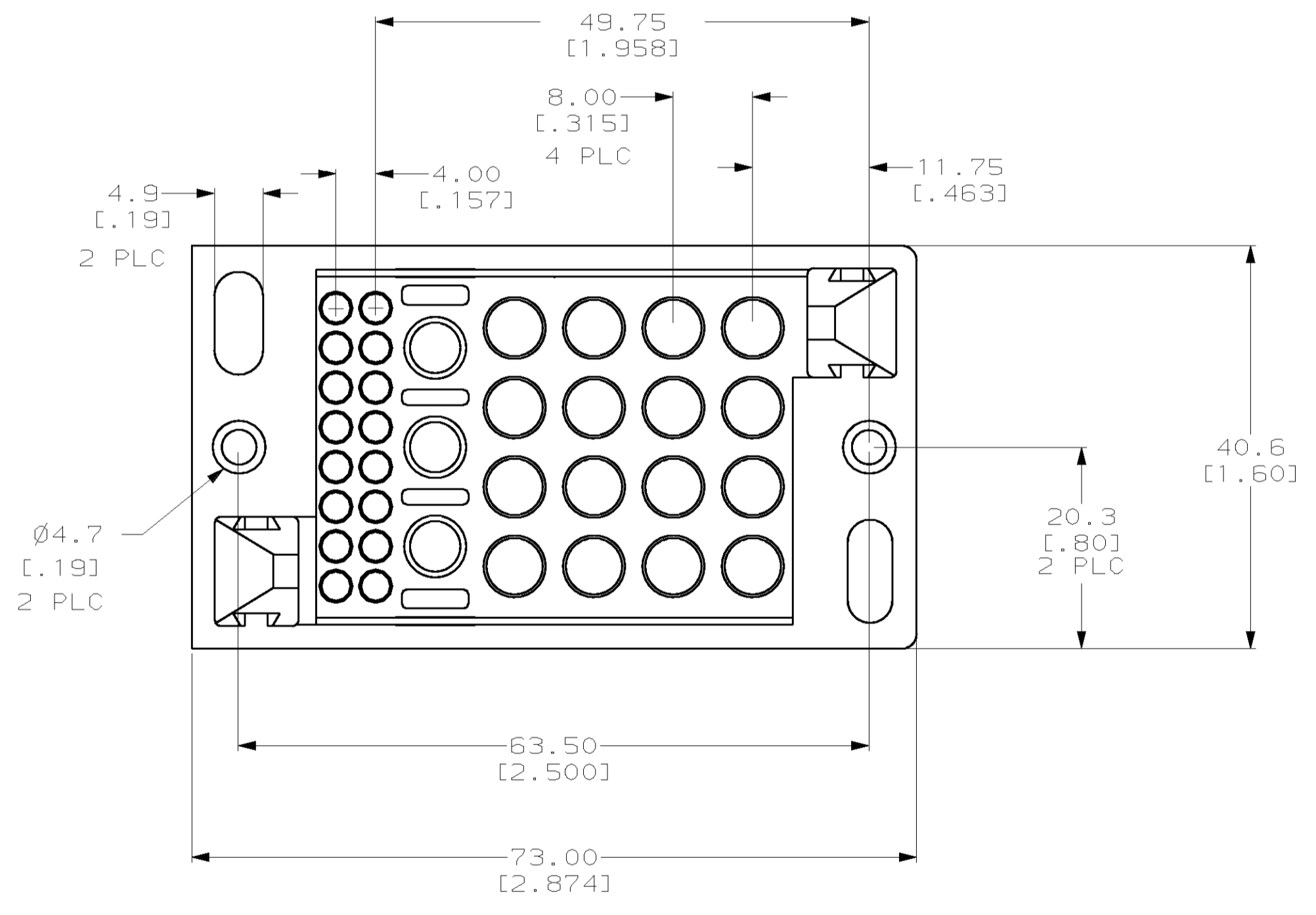
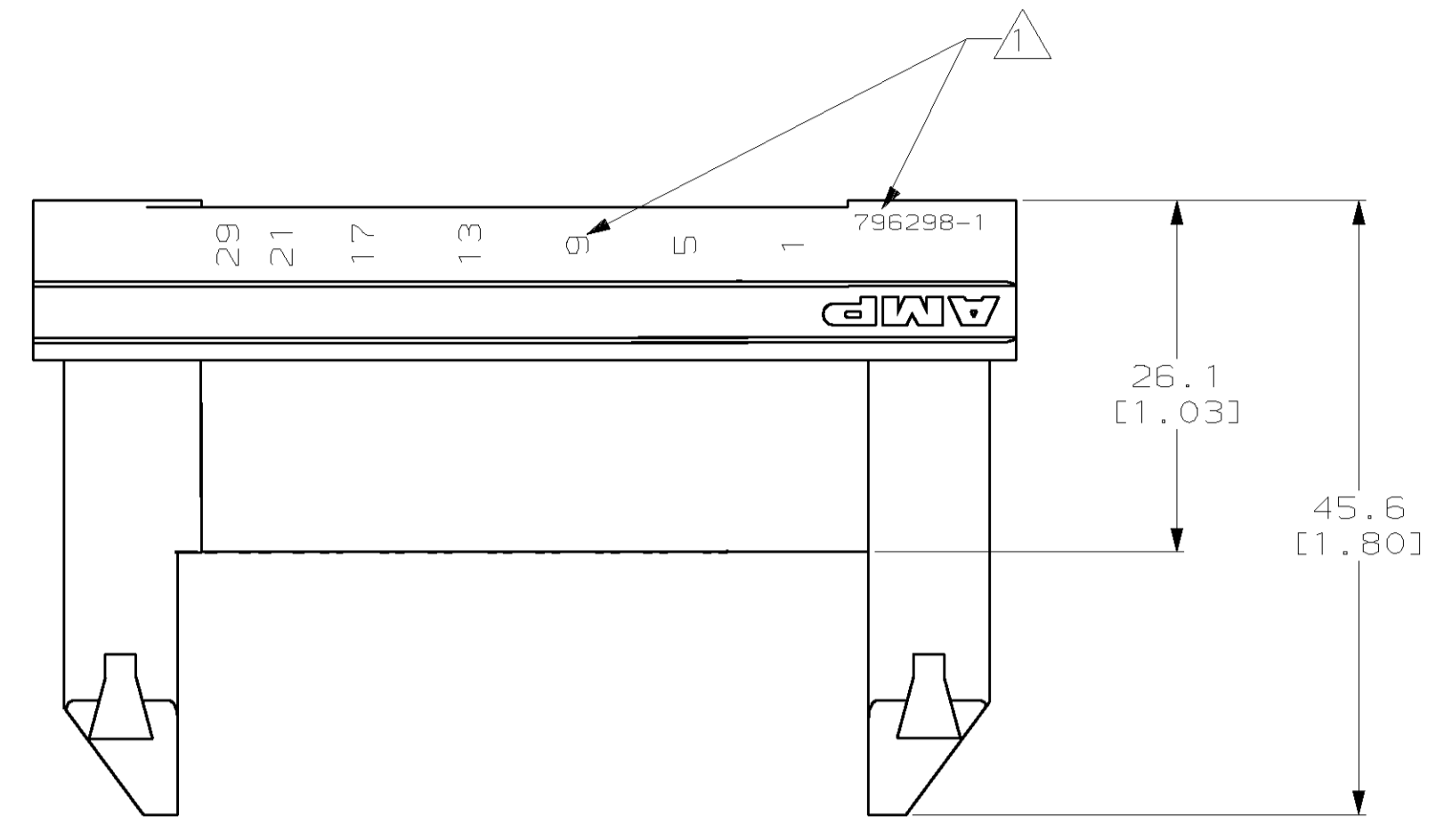


LOC	DIST	REVISIONS				
CH	11	REV	DESCRIPTION	DATE	OWN	APVD
		0	RLSD PER NPR 2	24FEB00	LM	GS

* AMPPOWER is a trademark



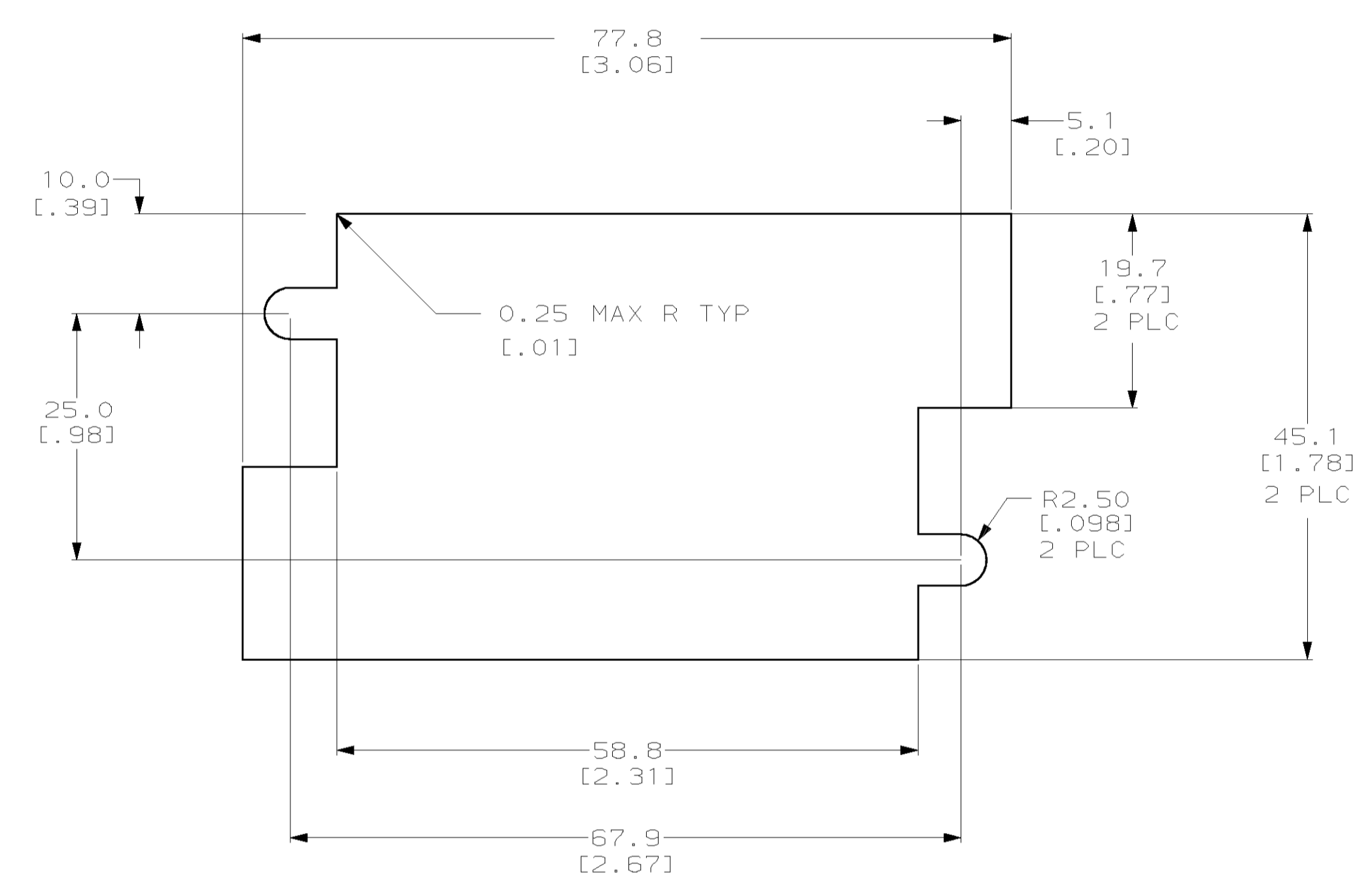
1. MATERIAL: POLYESTER PCT; BLACK.
2. POSITIONS 1-19 ARE FOR 3mm CONTACTS.
3. POSITIONS 20-35 ARE FOR SIZE 16 CONTACTS.
4. ALL DIMENSIONS, EXCEPT PANEL CUTOUTS, ARE REFERENCE ONLY.

796298-1
PART NO.

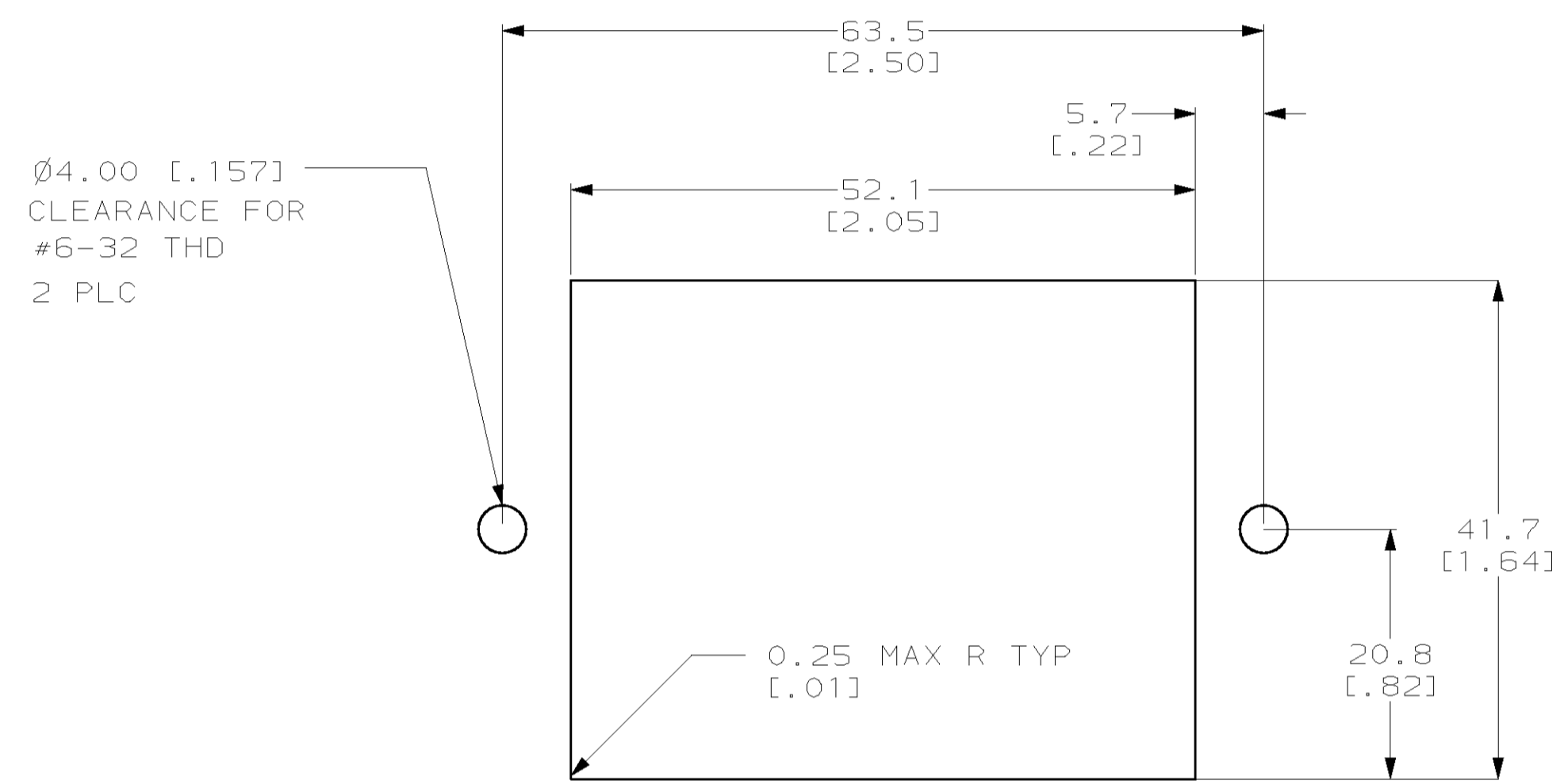
THIS DRAWING IS A CONTROLLED DOCUMENT.		DWN L. McEACHIN 24-FEB-2000	AMP Incorporated Harrisburg, PA 17105-3608
DIMENSIONS: mm (INCHES)		CHK G. STEINHAUER 24-FEB-2000	NAME AMPPOWER [®] MULTI PIN PLUS HOUSING, PLUG 35 POSITION
TOLERANCES UNLESS OTHERWISE SPECIFIED:		APVD G. STEINHAUER 24-FEB-2000	RESTRICTED TO
0 PLC ±0.10		PRODUCT SPEC	SIZE A1
1 PLC ±0.10		APPLICATION SPEC	CAGE CODE 00779
2 PLC ±0.10		WEIGHT	DRAWING NO. 796298
3 PLC ±0.10			SCALE 2:1
4 PLC ±0.10			SHEET 1 OF 2
MATERIAL		CUSTOMER DRAWING	REV 0

LOC	DIST	REVISIONS			
CH	11	REV	DATE	BY	APPROV
-	-	SEE SHEET 1	-	-	-

* AMPPOWER is a trademark



RECOMMENDED FLOAT MOUNT PANEL CUTOUT
EXTERNAL VIEW



RECOMMENDED STATIONARY MOUNT PANEL CUTOUT
EXTERNAL VIEW

THIS DRAWING IS A CONTROLLED DOCUMENT.		DWN L. McEACHIN 24-FEB-2000	AMP AMP Incorporated Harrisburg, PA 17105-3608
DIMENSIONS: mm (INCHES)		CHK G. STEINHAEUER 24-FEB-2000	
TOLERANCES UNLESS OTHERWISE SPECIFIED:		APPROV G. STEINHAEUER 24-FEB-2000	NAME AMPPOWER [®] MULTI PIN PLUS HOUSING, PLUG 35 POSITION
0 PLC ±-	1 PLC ±0.25	PRODUCT SPEC	SIZE A1
2 PLC ±0.12 [.01]	3 PLC ±(.005)	APPLICATION SPEC	CAGE CODE 796298
4 PLC ±-	ANGLES ±-	FINISH	RESTRICTED TO
MATERIAL	FINISH	WEIGHT	SCALE 2:1
CUSTOMER DRAWING		SCALE 2:1	SHEET 2 OF 2
		REV 0	

单击下面可查看定价，库存，交付和生命周期等信息

[>>TE Connectivity\(泰科\)](#)