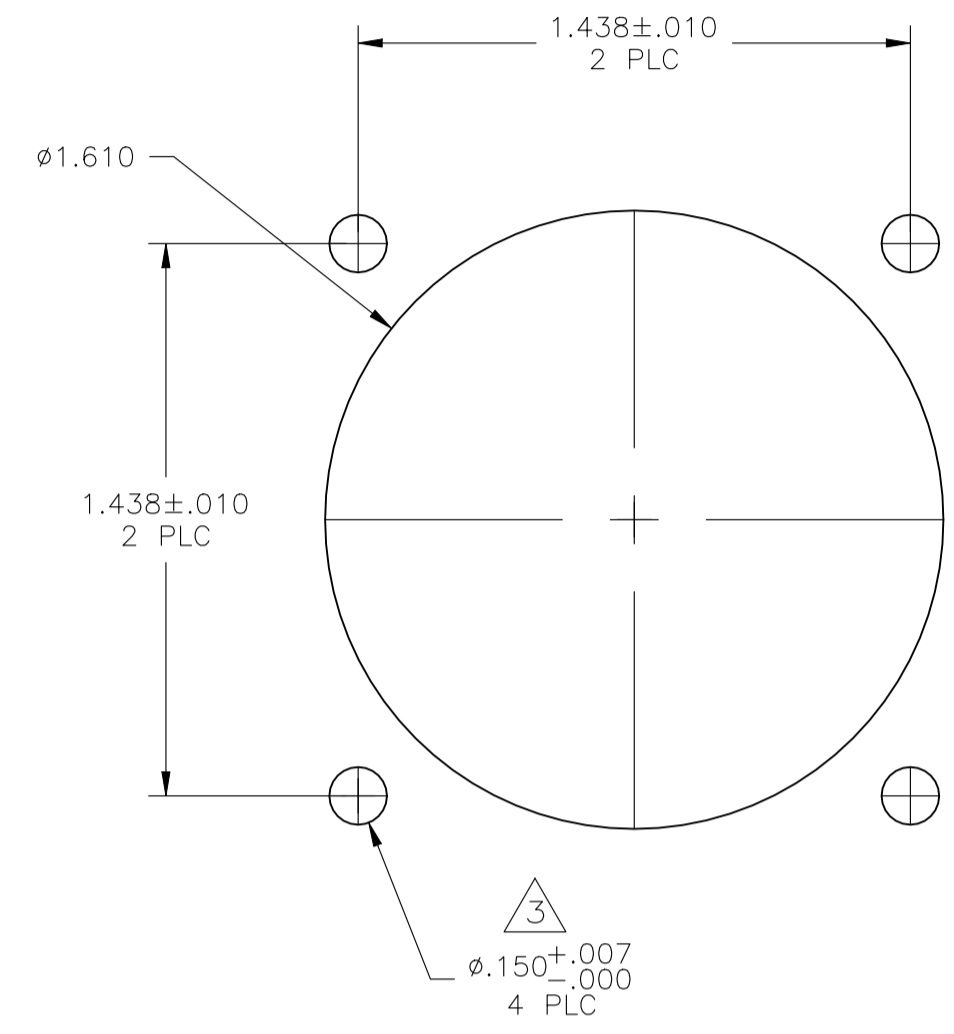
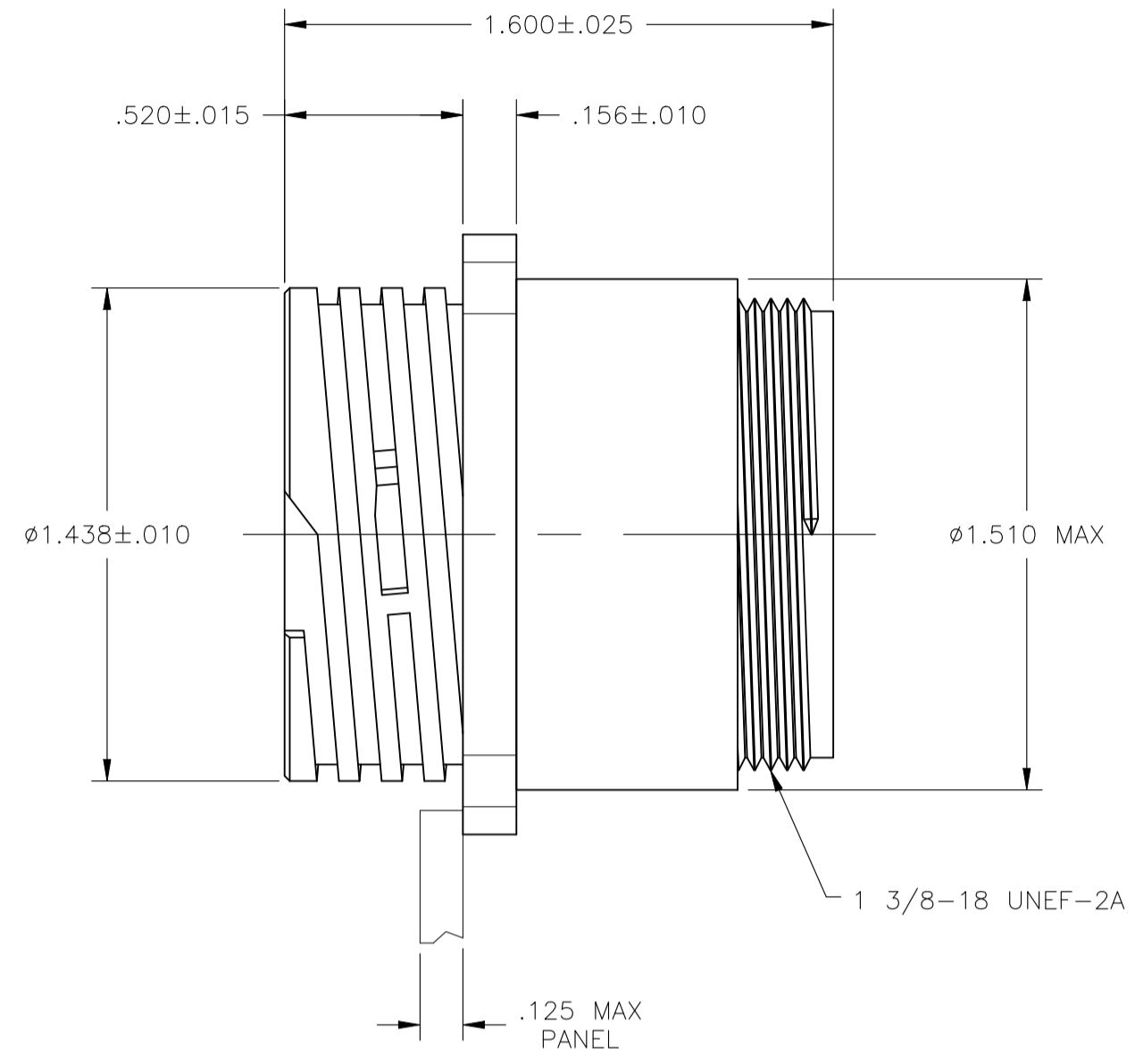
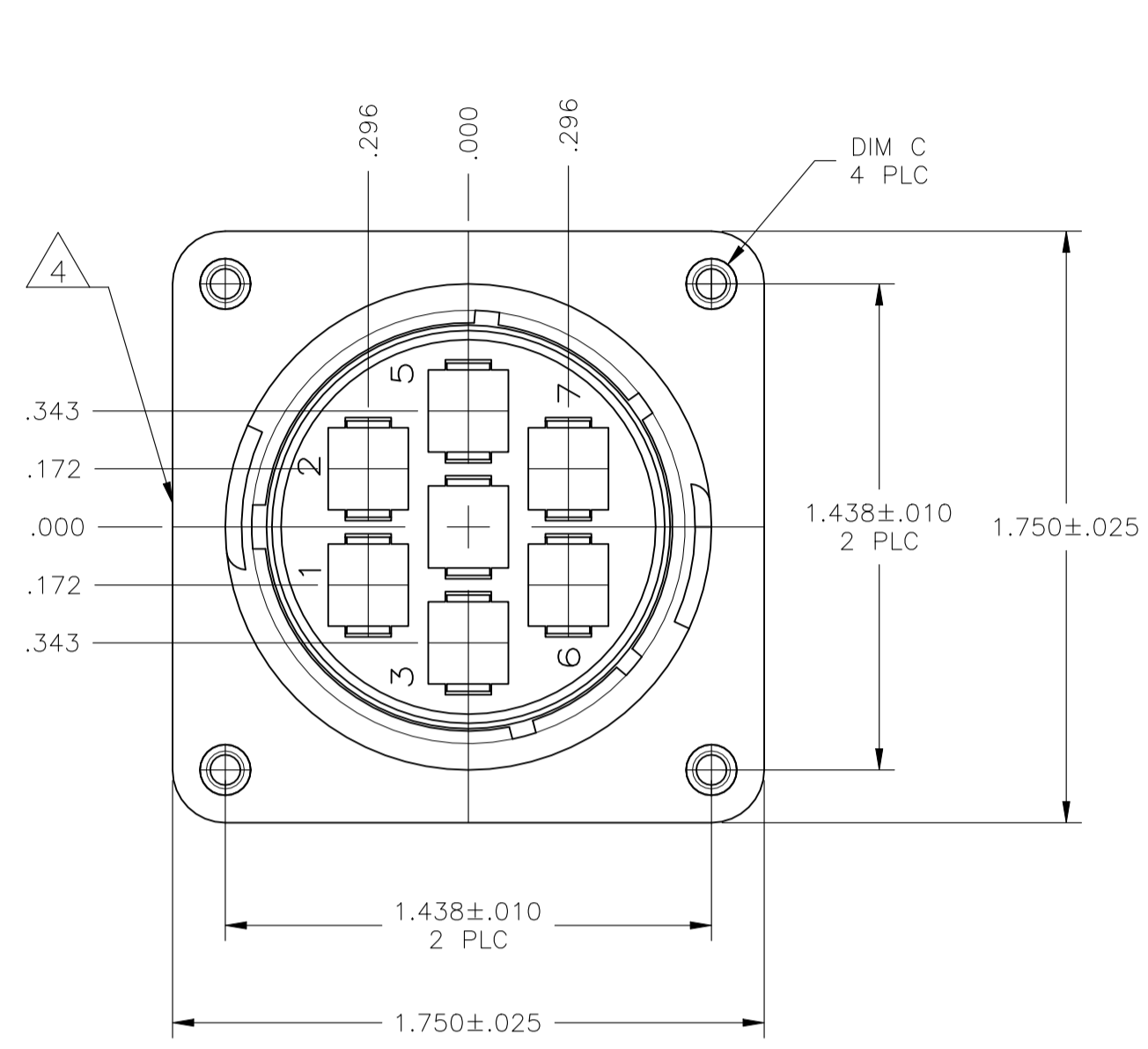


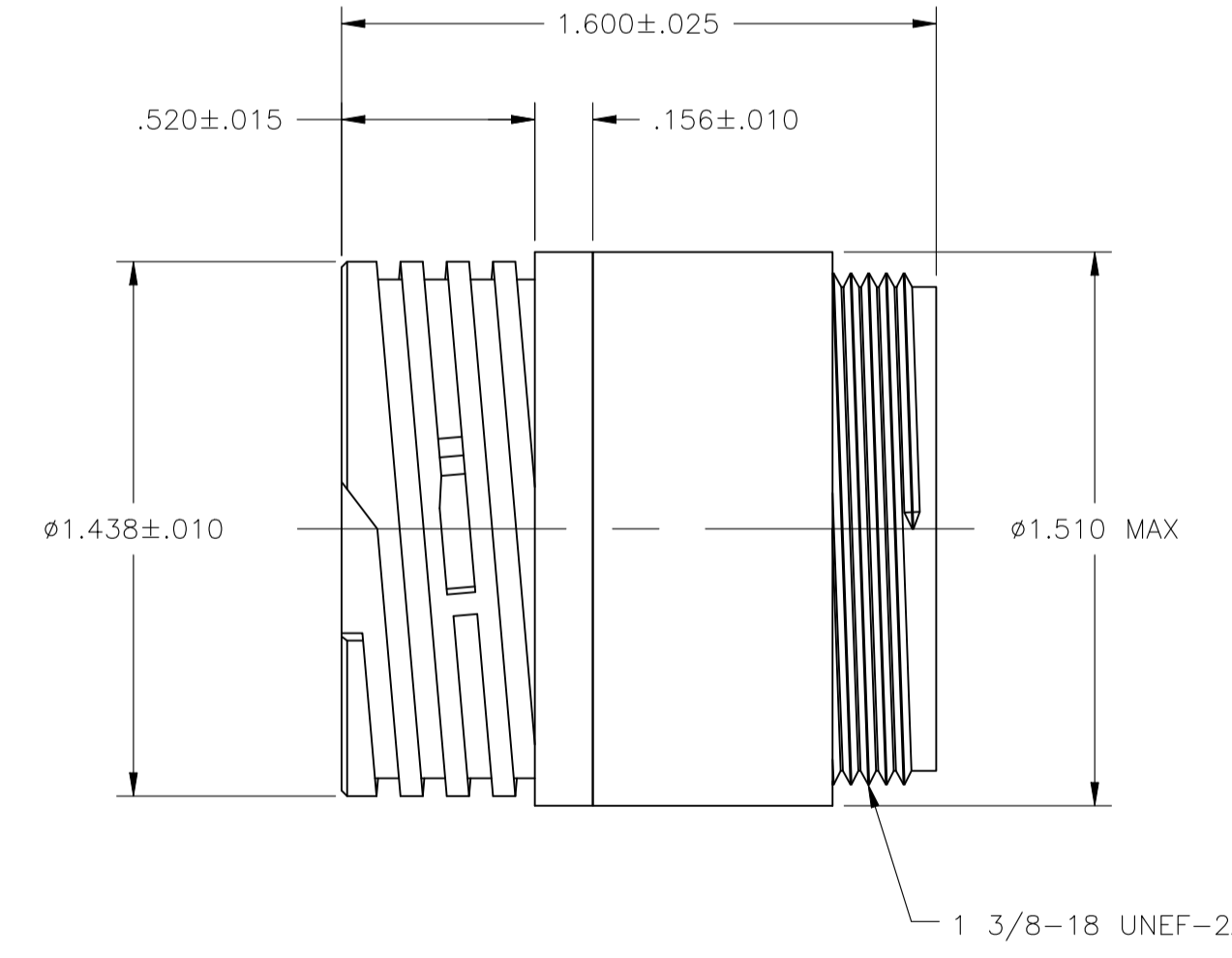
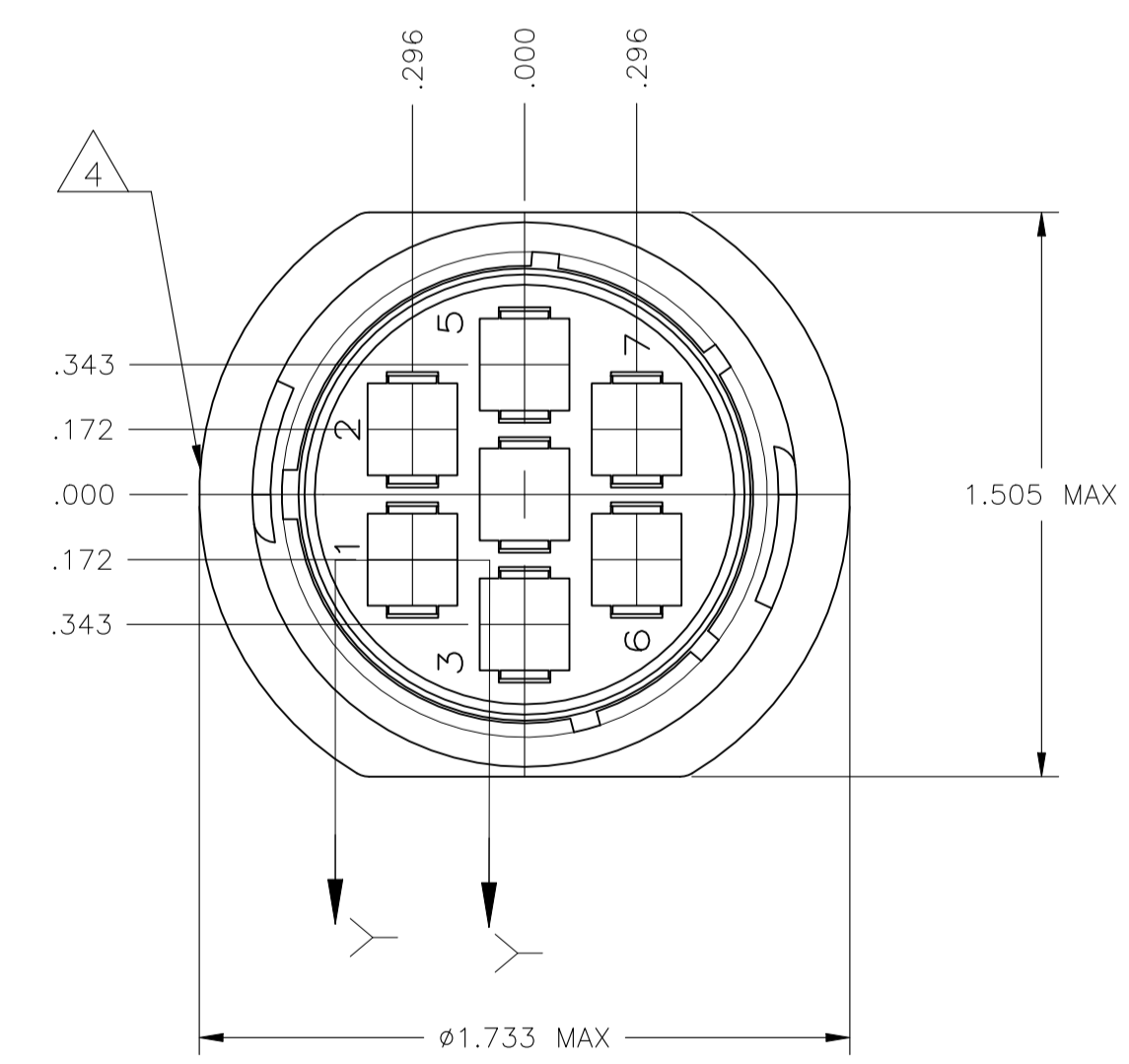
REVISIONS					
P	LTR	DESCRIPTION	DATE	DN	APVD
N		REVISED PER ECO-21-006945	27OCT2021	RK	MZ

- NOTES:**
1. CAVITY IDENTIFICATION ON FRONT AND REAR FACE.
 2. WILL ACCEPT SEVEN (7) TYPE XII PIN CONTACTS.
 3. #4 FASTENER RECOMMENDED FOR MOUNTING.
 4. TE LOGO AND PART NUMBER LOCATED ON ANY FLANGE EDGE



DETAIL A

RECOMMENDED PANEL CUTOUT



DETAIL B

4-40 THREADED INSERTS	A	206137-5
.150±.003	B	206137-2
.150±.003	A	206137-1
DIM C	SEE DETAIL	PART NUMBER

THIS DRAWING IS A CONTROLLED DOCUMENT.

DIMENSIONS: INCHES	TOLERANCES UNLESS OTHERWISE SPECIFIED:	DIN D. HARDY 05/31/94	APVD W.G. LENKER 06/07/94	NAME
0 PLC ± -	1 PLC ± -	RECEPTACLE HOUSING, STANDARD SEX, SHELL SIZE 23, CPC		
2 PLC ± .005	3 PLC ± -	PRODUCT SPEC 108-10024		
4 PLC ± -	ANGLES ± -	APPLICATION SPEC		
MATERIAL NYLON, BLACK	FINISH -	SIZE A1	CAGE CODE 00779	DRAWING NO. C=206137
CUSTOMER DRAWING		SCALE 2:1	SHEET 1 of 1	REV N

TE Connectivity

单击下面可查看定价，库存，交付和生命周期等信息

[>>TE Connectivity\(泰科\)](#)