

THIS DRAWING IS UNPUBLISHED.

RELEASED FOR PUBLICATION

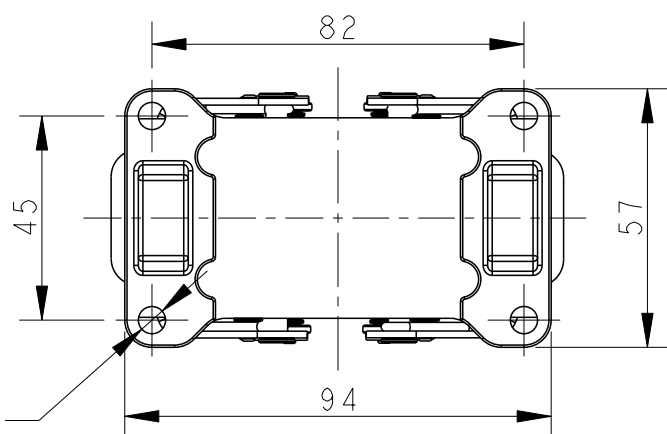
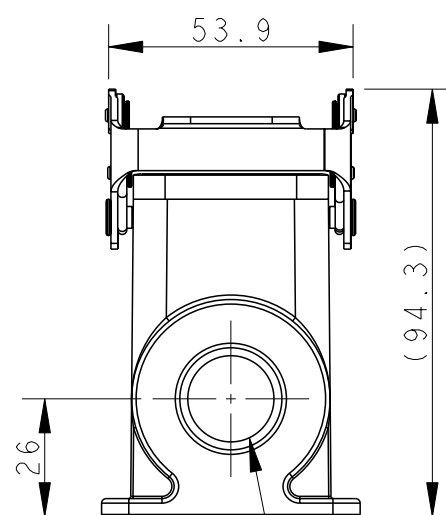
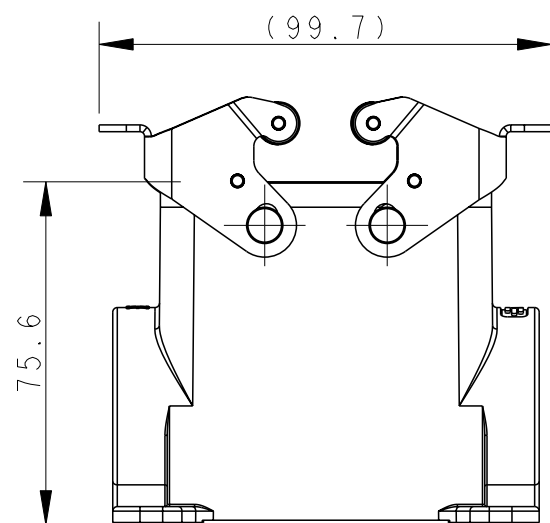
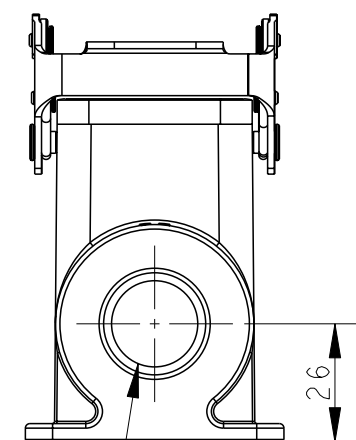
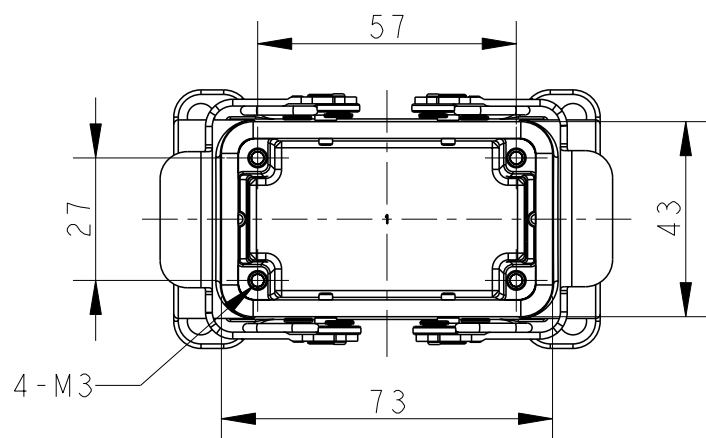
20

© COPYRIGHT 20 BY -

ALL RIGHTS RESERVED.

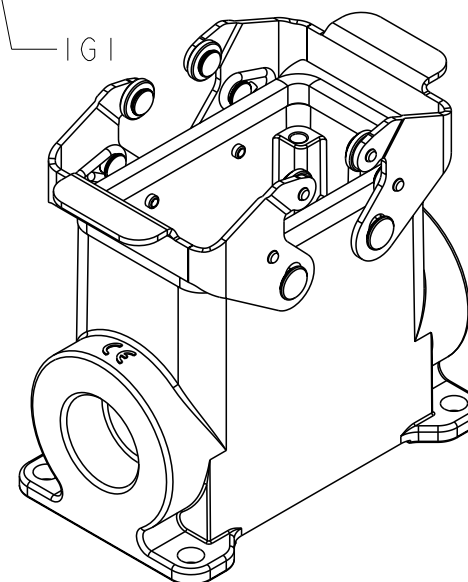
REVISIONS

P	LTR	DESCRIPTION	DATE	DWN	APVD
A		INITIAL RELEASE	25JUN2015	DL	CW
B		ECR-20-008181	13JUL2020	WQR	CW
BI		ECR-23-195948	27DEC2023	SC	CW



NOTES:  
 1. TECHNICAL CHARACTERISTICS:  
 BODY MATERIAL: DIE CAST ALUMINIUM ALLOY  
 SURFACE TREATMENT: POWDER-COATED, GRAY  
 DEGREE OF PROTECTION: IP65 (MATED)

注释:  
 1. 技术参数:  
 主体材料: 铝合金  
 表面处理: 粉末喷涂, 灰色  
 防护等级: IP65(配合)



TYPE I: HIGH BODY + DOUBLE STAINLESS STEEL LOCKING

TI470101225-000	TYPE I	H10B-SGRHS-2M25	M25	M25
TI470101121-000		H10B-SGRHS-PG21	PG21	-
TI470101129-000		H10B-SGRHS-PG29	PG29	-
TI470101132-000		H10B-SGRHS-M32	M32	-
TI470101221-000		H10B-SGRHS-2PG21	PG21	PG21
TI470101229-000		H10B-SGRHS-2PG29	PG29	PG29
TI470101232-000		H10B-SGRHS-2M32	M32	M32
ASSEMBLY PART NUMBER		TYPE	ASSEMBLY PART DESCRIPTION	IG1

THIS DRAWING IS A CONTROLLED DOCUMENT.		DWN	25JUN2015	<b>TE</b> TE Connectivity
DIMENSIONS: mm		DAVID LI	25JUN2015	
TOLERANCES UNLESS OTHERWISE SPECIFIED:		CHK	25JUN2015	
0 PLC ±-		CHRIS WANG	25JUN2015	
1 PLC ±-		APVD	25JUN2015	
2 PLC ±-		XU XIANG		
3 PLC ±-		PRODUCT SPEC	108-137013	
4 PLC ±-		APPLICATION SPEC	114-137013	
ANGLES ±-		WEIGHT	-	
FINISH		NAME		
MATERIAL TBD		H10B-SGRHS-PG/M		
-		SIZE	CAGE CODE	
		A3	-	
		DRAWING NO		
		C-TI47010XXXX000		
		RESTRICTED TO		
		SCALE	SHEET	
		3:5	1 OF 2	
		REV		
		BI		
		CUSTOMER DRAWING		

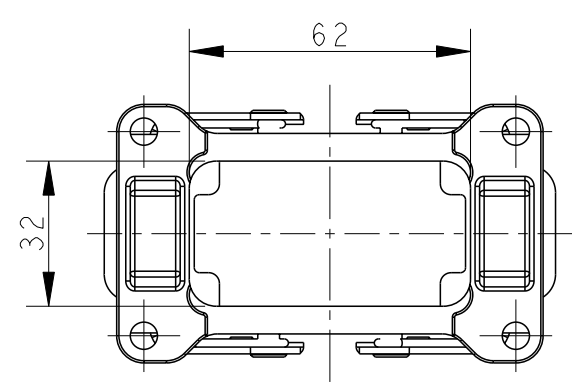
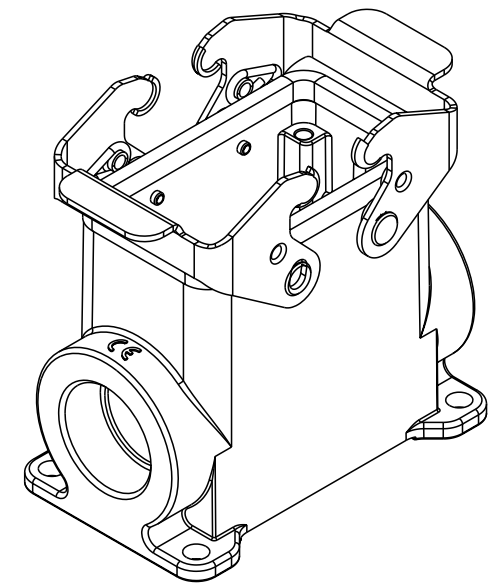
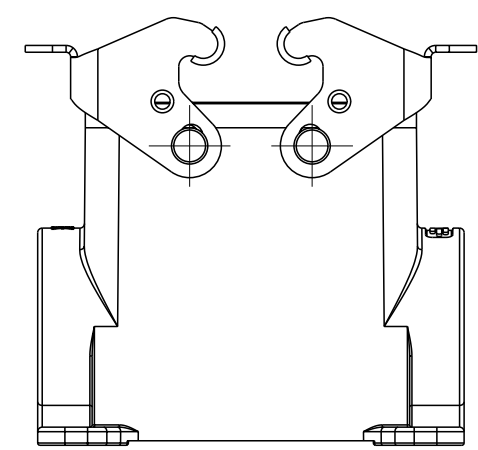
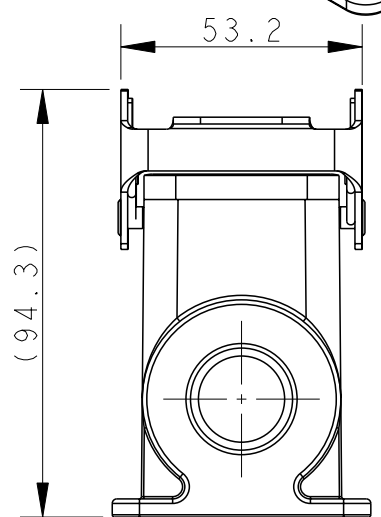
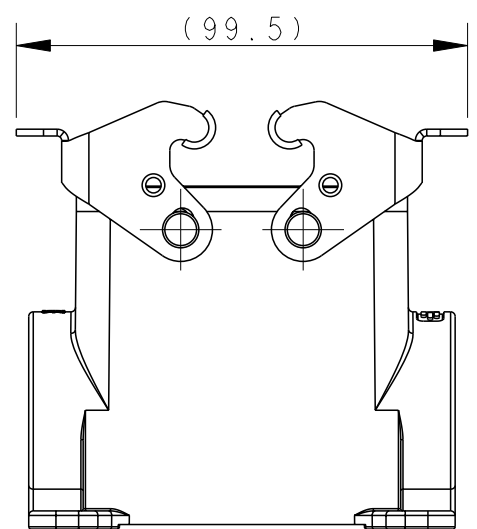
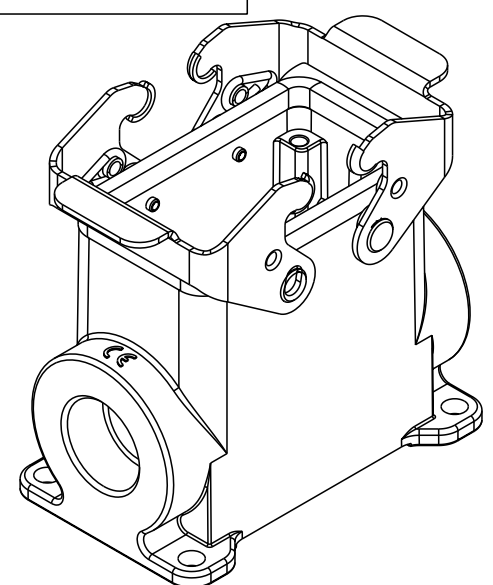
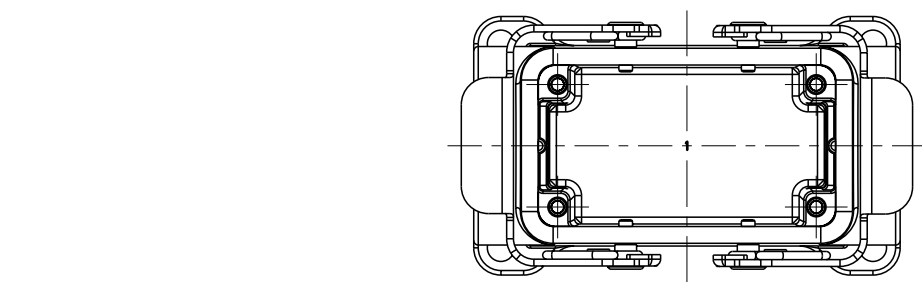
printed on 29 Dec 2023 09:57 (China Standard Time) from TE568938

A

D

THIS DRAWING IS UNPUBLISHED. RELEASED FOR PUBLICATION 20  
 © COPYRIGHT 20 BY - ALL RIGHTS RESERVED.

P	LTR	DESCRIPTION	DATE	DWN	APVD
-	-	SEE SHEET 1	-	-	-



TYPE 2: HIGH BODY + DOUBLE STEEL LOCKING  
 OTHER SPEC REFER TO TYPE 1

TYPE 3: HIGH BODY + DOUBLE STEEL LOCKING  
 BOTTOM CUT OUT  
 OTHER SPEC REFER TO TYPE 2

printed on 29 Dec 2023 09:57 (China Standard Time) from TE568938

TI470102116-000	TYPE 2	H10B-SGRH-PG16	PG16	-
TI470102121-000		H10B-SGRH-PG21	PG21	-
TI470102125-000		H10B-SGRH-M25	M25	-
TI470102129-000		H10B-SGRH-PG29	PG29	-
TI470102132-000		H10B-SGRH-M32	M32	-
TI470102221-000		H10B-SGRH-2PG21	PG21	PG21
TI470102225-000		H10B-SGRH-2M25	M25	M25
TI470102229-000		H10B-SGRH-2PG29	PG29	PG29
TI470102232-000		H10B-SGRH-2M32	M32	M32
TI470100000-000		TYPE 3	H10B-SGRH	-
ASSEMBLY PART NUMBER	TYPE	ASSEMBLY PART DESCRIPTION	IG1	IG2

THIS DRAWING IS A CONTROLLED DOCUMENT.	
DIMENSIONS: mm	TOLERANCES UNLESS OTHERWISE SPECIFIED:
	0 PLC ±-
	1 PLC ±-
	2 PLC ±-
	3 PLC ±-
	4 PLC ±-
ANGLES ±-	FINISH
MATERIAL TBD	-

DWN DAVID LI 25JUN2015	 TE Connectivity NAME H10B-SGRH-PG/M	SIZE	CAGE CODE	DRAWING NO	RESTRICTED TO	
CHK CHRIS WANG 25JUN2015		A3	-	C-TI47010XXXX000		
APVD XU XIANG 25JUN2015		PRODUCT SPEC 108-137013	SCALE	SHEET	REV	
APPLICATION SPEC 114-137013		WEIGHT -	3:5	2 OF 2	B1	
CUSTOMER DRAWING						

单击下面可查看定价，库存，交付和生命周期等信息

[>>TE Connectivity\(泰科\)](#)