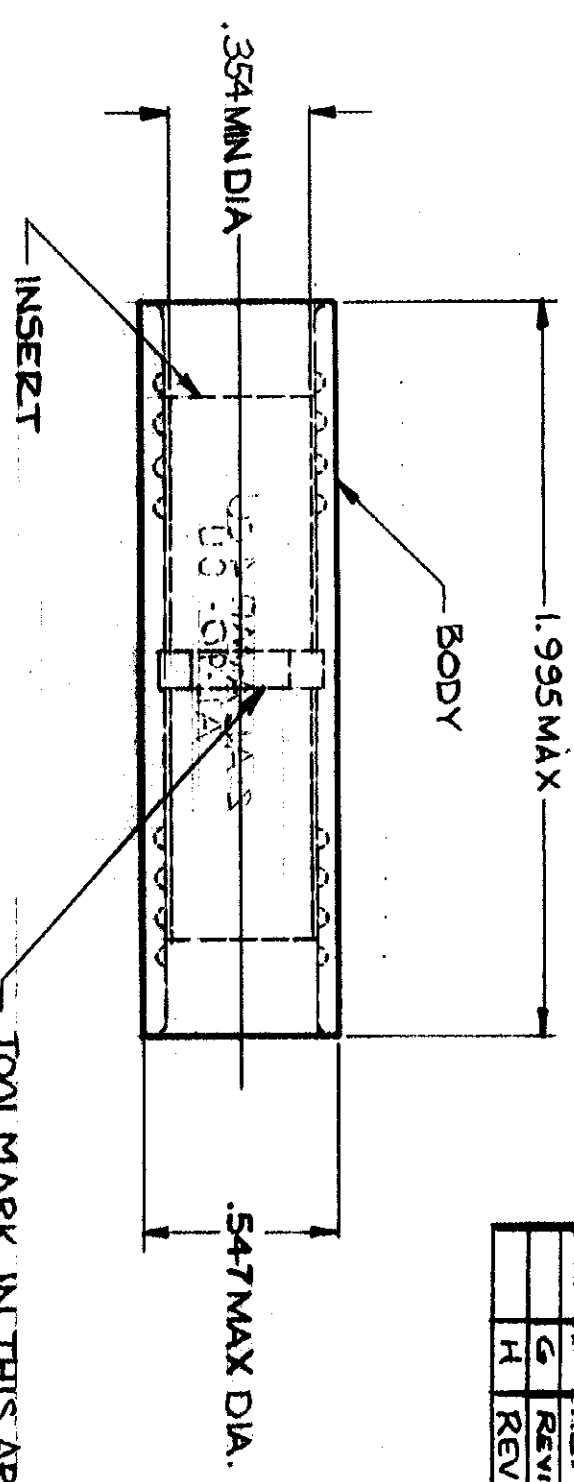
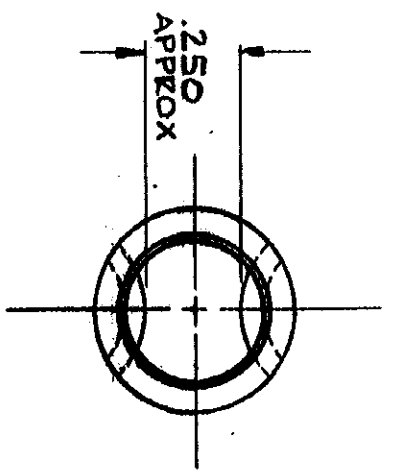


© 1968 BY AMP INCORPORATED. ALL RIGHTS RESERVED. AMP PRODUCTS COVERED BY PATENTS AND/OR PATENTS PENDING.

NUMBER 52007



ZONE	LTR	DESCRIPTION	DATE	APPROVED
0		NPS 68-0306 (REV 1) <i>gms</i>	9-10-68	RHW
A		REV TITLE PER ECN P-5545 <i>gms</i>	12-6-68	RHW
B		REV: .547 MAX DIA W/ .537 MAX DIA P-6002 <i>gms</i>	4-18-69	RHW
C		CHANGED .36970 .354 PER ECN P-6105 <i>gms</i>	9-16-69	FCY
D		REVISED PER ECN P-6263 <i>gms</i>	1-8-70	FCY
E		REMOVED ENGINEERING CONT. P-6288 <i>gms</i>	4-17-70	FCY
F		REVISED PER ECN F-578 <i>gms</i>	1-11-72	gms
G		REVISED PER G-2072 <i>gms</i>	3-21-87	gms
H		REV PER G-5318 <i>gms</i>	10/25/89	WST

QTY	DESCRIPTION	PART NO.	OTHER INFO
1	WIRE SPlice	52007	

<p>UNLESS OTHERWISE SPECIFIED DIM. ARE IN INCHES. TOLERANCES ON: DECIMALS ±.000 ANGLES ± 5° MATERIAL SEE TABLE</p>	<p>CONTRACT NO. B-3-68</p> <p>DESIGN APPRO. <i>gms</i></p> <p>OTHER APPRO.</p>
--------------------------------------------------------------------------------------------------------------------	--------------------------------------------------------------------------------

<p>AMP WIRE SPlice TREAT #</p> <p>FINISH SBE TABLE</p>	<p>SCALE 2:1</p> <p>WT CALC ACTUAL</p>
--------------------------------------------------------	----------------------------------------

<p>AMP INCORPORATED HARRISBURG, PENNSYLVANIA</p> <p>WIRE SPlice - BUTT COPALUM-STRANDED/SOLID WIRE SIZE #2AL-4CU</p>	<p>CODE IDENT NO. 00779</p> <p>NUMBER 52007</p> <p>SHEET 1 OF 1</p>
----------------------------------------------------------------------------------------------------------------------	---------------------------------------------------------------------

单击下面可查看定价，库存，交付和生命周期等信息

[>>TE Connectivity\(泰科\)](#)