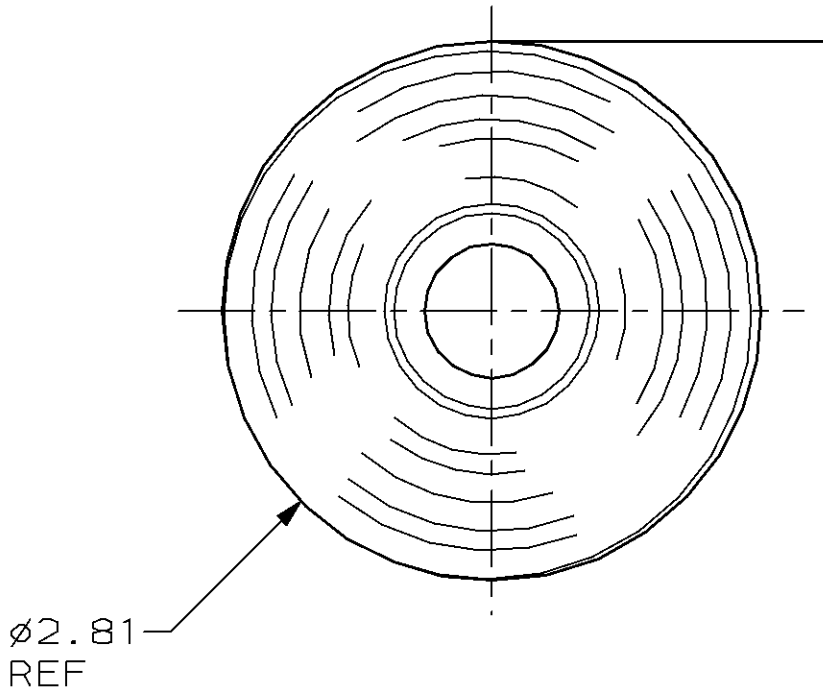


LOC	DIST	REVISIONS				
P	LTR	DESCRIPTION	DATE	DWN	APVD	
FI	25					
	C	REDWN & ADD: -5; NPR C96-153 & FC 0N20-0013-96	10JUL96	GG	NJ	

1. WIDTH - 3/4 INCH
2. THICKNESS - .007 INCH
3. VOLTAGE RATING - 600 VRMS
4. TEMPERATURE RATING - 80°C
5. SHIPPING WEIGHT 84.2 GRAMS / 3 oz.
6. PVC FLAME RETARDED BLACK.



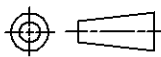
LENGTH	DESCRIPTION	PART NO.
20 FT.	BULK PACKED INDIVIDUAL ROLLS	604271-5
66 FT.	10 ROLLS PER SLEEVE INDIVIDUALLY WRAPPED	604271-2

RELEASED FOR PUBLICATION

THIS DRAWING IS UNPUBLISHED.

BY AMP INCORPORATED. ALL RIGHTS RESERVED. COPYRIGHT 19

DIMENSIONS: INCHES	DWN	G. GARRETT	10JUL96	MATERIAL		FINISH	-
	CHK	N. JONES	15JUL96	AMP Incorporated Harrisburg, PA 17105-3608			
TOLERANCES UNLESS OTHERWISE SPECIFIED:	APVD	E. HRYN	19JUL96				
0 PLC ±-	PRODUCT SPEC	-			SIZE	CAGE CODE	DRAWING NO
1 PLC ±-	APPLICATION SPEC	-			A4	00779	C-604271
2 PLC ±-	WEIGHT	-			CUSTOMER DRAWING		
3 PLC ±-					SCALE	1:1	SHEET 1 OF 1
4 PLC ±-					REV C		
ANGLES ±-							



单击下面可查看定价，库存，交付和生命周期等信息

[>>TE Connectivity\(泰科\)](#)