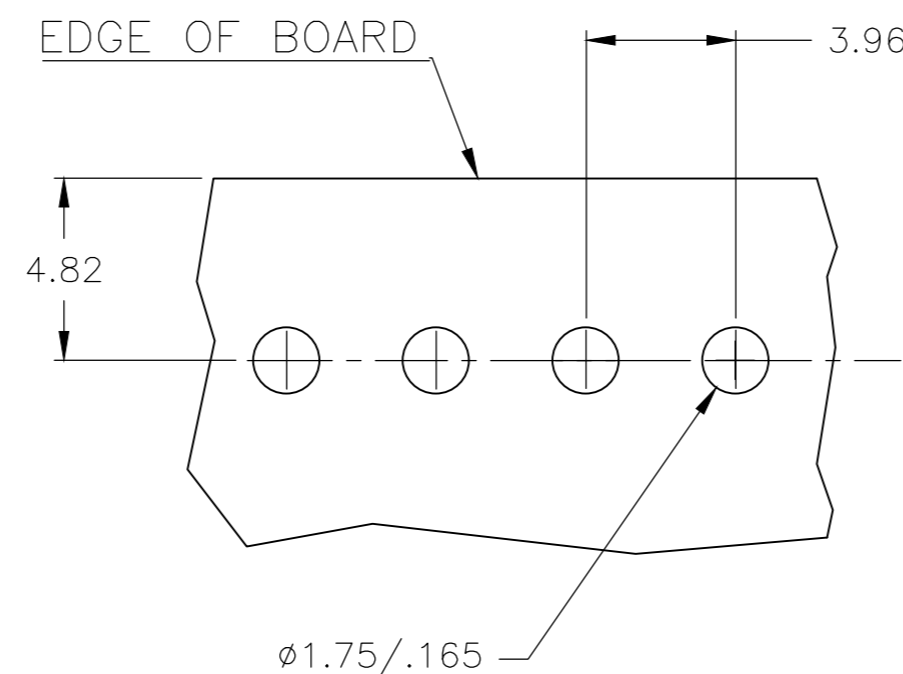
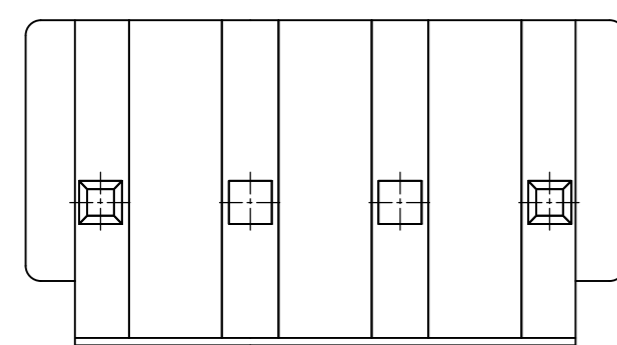
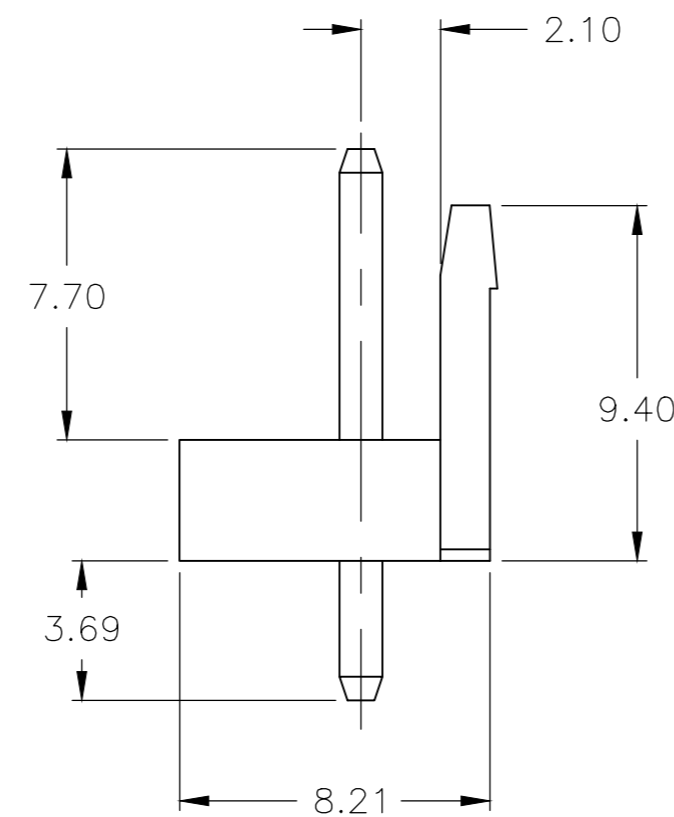
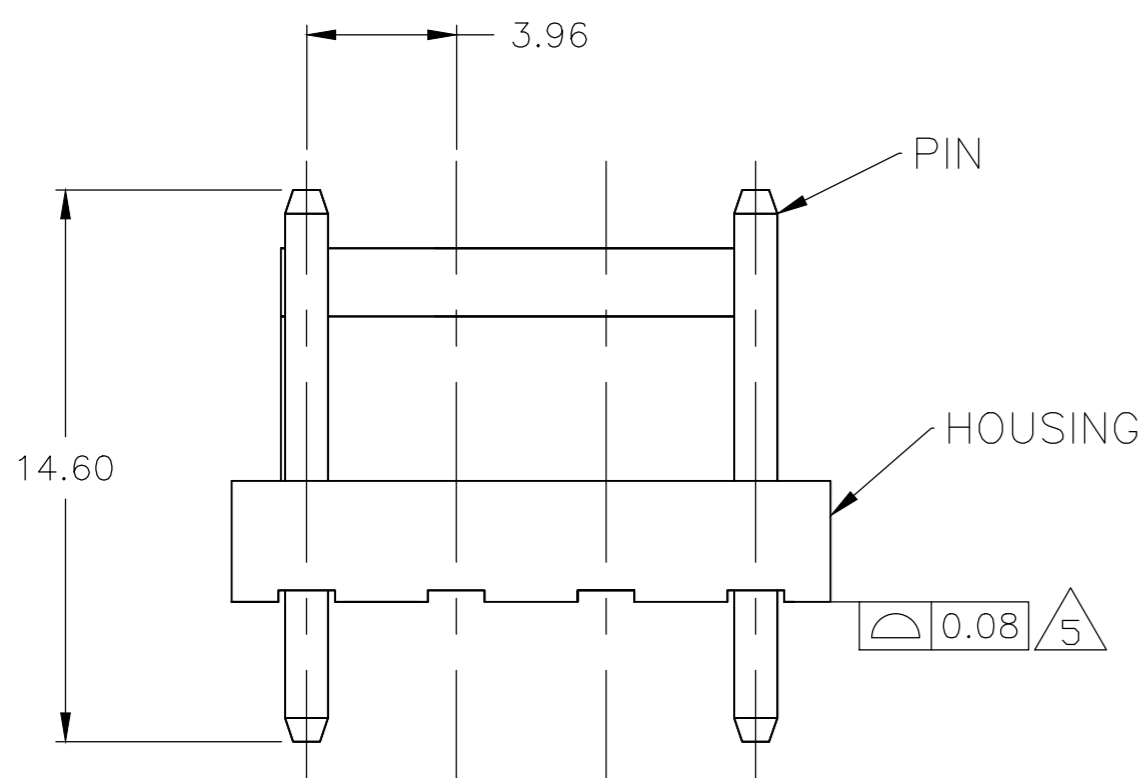
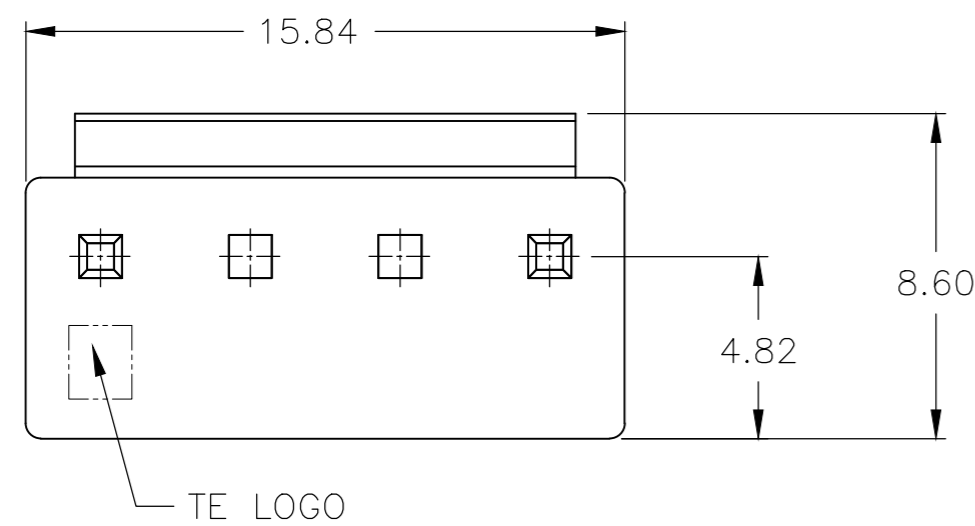


| REVISIONS | | | | | |
|-----------|-----|---------------------------|-----------|-----|------|
| P | LTR | DESCRIPTION | DATE | DWN | APVD |
| AG | | REVISED PER ECO-19-013474 | 08JAN2020 | WH | DZ |



RECOMMENDED MOUNTING HOLE PATTERN FOR 1.6 THICK PC BOARD

- 1 HOUSING MATERIAL: NYLON, UL94 V0.
PIN MATERIAL: BRASS.
- 2 PIN PLATING: 0.003 [.000120] MIN TIN OVER 0.001 [.000039] NICKEL.
- 3 COMPLY WITH GLOW WIRE REQUIREMENTS FOR PARTS OF NON-METALLIC MATERIAL SUPPORTING A CURRENT-CARRYING CONNECTION DETAILED IN IEC 60335-1, SECTION 30 (GWT).
- 4 "O" WITH POST
"X" WITHOUT POST
- 5 PRODUCT BOW SHOULD MEET 0~0.08MM(INITIAL) AND 0~0.20MM(AFTER SOLDERABILITY)

| | | | | | | |
|---------------|---|---|---|------------------|---------|-------------|
| 0 | X | X | 0 | 4 | NATURAL | 7-1565033-2 |
| 4 | 3 | 2 | 1 | NO. OF POSITIONS | COLOR | PART NUMBER |
| PIN POSITIONS | | | | | | |

| | | | | | | |
|--|--------|-----------------|---------|-------------------------------|--|--|
| THIS DRAWING IS A CONTROLLED DOCUMENT. | | DWN | 12NOV14 | TE TE Connectivity | | |
| DIMENSIONS: mm | | CHK | 12NOV14 | | | |
| TOLERANCES UNLESS OTHERWISE SPECIFIED: | | APVD | | NAME | | |
| 0 PLC | ± - | TOM MICHIELUTTI | | 12NOV14 | | |
| 1 PLC | ± 0.5 | TOM MICHIELUTTI | | PRODUCT SPEC | | |
| 2 PLC | ± 0.30 | 108-5609 | | APPLICATION SPEC | | |
| 3 PLC | ± - | - | | SIZE | | |
| 4 PLC | ± - | - | | CAGE CODE | | |
| ANGLES | ± - | - | | DRAWING NO | | |
| MATERIAL | FINISH | WEIGHT | | RESTRICTED TO | | |
| 1 | 2 | - | | A2 00779 | | |
| CUSTOMER DRAWING | | | | SCALE 5:1 SHEET 1 of 1 REV AG | | |

单击下面可查看定价，库存，交付和生命周期等信息

[>>TE Connectivity\(泰科\)](#)