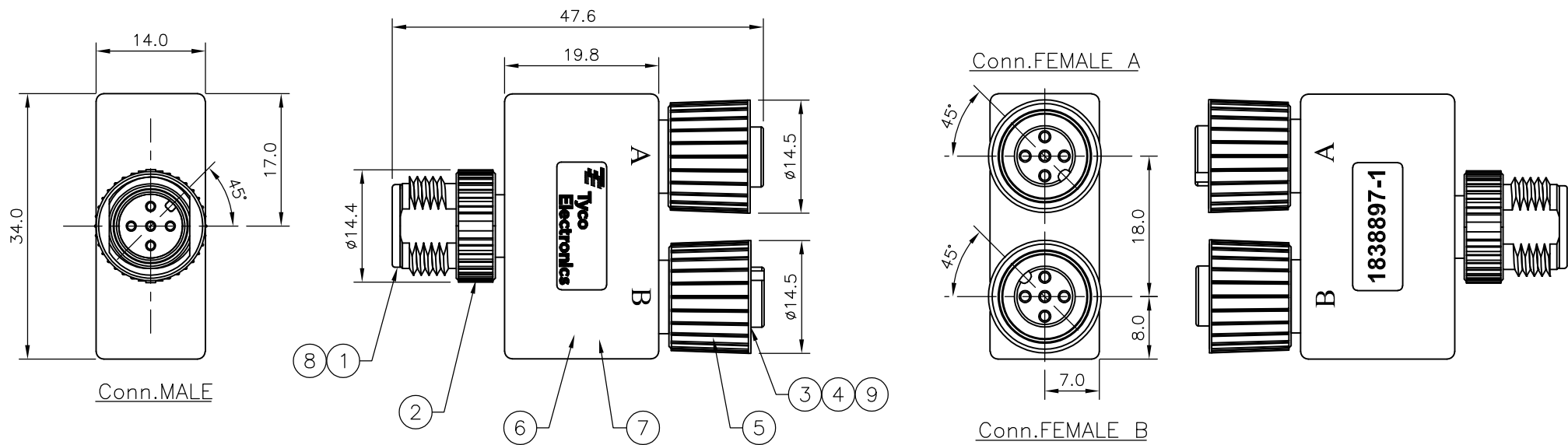


| LOC | DIST | REVISIONS | | | | | |
|-----|------|-----------|-----|---------------|---------|-----|------|
| E | B | P | LTR | DESCRIPTION | DATE | DWN | APVD |
| | | B | | ECR-07-016769 | 17JUL07 | AM | FWK |

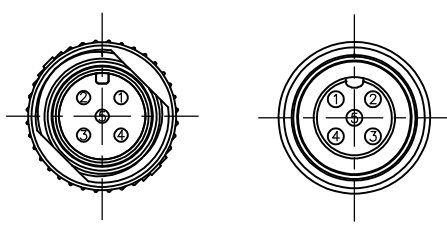
NOTES:

- ELECTRICAL DATA: CONTACT RESISTANCE: 10 mOhm MAX
INSULATION RESISTANCE: 100 MOhm MIN at 500VDC
CURRENT RATING: 5 AMPS
BREAKDOWN VOLTAGE: 500 VAC MIN PER MINUTE
- ENVIRONMENTAL: OPERATING TEMPERATURE: -25°C TO +90°C
SEALING REQUIREMENTS: IP67
- PROD SPEC: 108-3641
- FOR TECHNICAL DATA REFER TO YOUR LOCAL TYCO ELECTRONICS SALES OFFICE.
- ALL DIMENSIONS ARE NOMINAL FOR REFERENCE ONLY UNLESS OTHERWISE STATED.

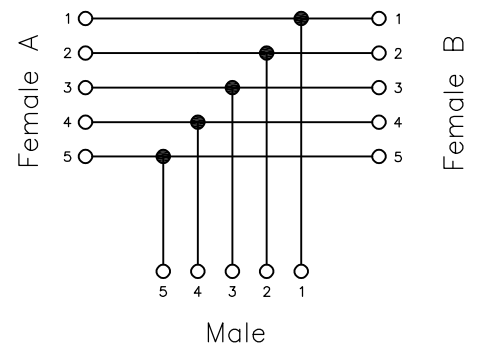
| ITEM | DESCRIPTION | MATERIAL | FINISH/COLOUR | QTY |
|------|-----------------------|---------------|-------------------------|-----|
| 1 | CONNECTOR BODY | POLYURETHANE | BLACK | 1 |
| 2 | SCREW NUT (MALE) | ZINC DIE CAST | 2.5µm NICKEL PLATED | 1 |
| 3 | CONNECTOR BODY | POLYURETHANE | BLACK | 2 |
| 4 | 'O' RING | VITON | GREEN | 2 |
| 5 | SCREW NUT (FEMALE) | ZINC DIE CAST | 2.5µm NICKEL PLATED | 2 |
| 6 | CONNECTOR HOUSING | POLYURETHANE | BLACK | 1 |
| 7 | WIRE HARNESS (UL1007) | 24 AWG | - | 1 |
| 8 | PIN CONTACT | BRASS | 0.15µm GOLD OVER NICKEL | 5 |
| 9 | SOCKET CONTACT | BRASS | 0.15µm GOLD OVER NICKEL | 10 |



PIN ASSIGNMENTS



INTERNAL CONNECTIONS



| | | | | |
|---|--|-----------------------------------|--|-----------------------|
| THIS DRAWING IS A CONTROLLED DOCUMENT. | | DWN A.Morey 01JUN07 | Tyco Electronics Corporation Bideford, UK, EX39 4HE | |
| DIMENSIONS: mm | | CHK F.Wheeler-King 04JUN07 | NAME M12 Y ADAPTOR 5POS MALE, FEMALE, FEMALE | |
| TOLERANCES UNLESS OTHERWISE SPECIFIED: 0 PLC ± - 1 PLC ± - 2 PLC ± - 3 PLC ± - 4 PLC ± - ANGLES ± - | | APVD F.Wheeler-King 04JUN07 | SIZE A3 | CAGE CODE 00779 |
| MATERIAL - | | PRODUCT SPEC - | DRAWING NO 1838897 | |
| FINISH - | | APPLICATION SPEC - | RESTRICTED TO - | |
| CUSTOMER DRAWING | | WEIGHT - | SCALE NTS | SHEET 1 OF 1 REV B |

单击下面可查看定价，库存，交付和生命周期等信息

[>>TE Connectivity\(泰科\)](#)